

Over Armour Offroad

2515 Bypass Rd. Flemingsburg, KY 41041
606-845-7439

Instructions for Installation and Care of

Textron Stampede 4

Soft Door Kit

TX-STAMP-4-SDK01

Notice: Do not smoke inside the cab or expose the enclosure to direct flames. Cab is Flammable.

1. Be sure to read these instructions thoroughly before opening and installing the Textron Stampede 4 Soft Door Kit. The installation is best done when the temperature is 70 degrees F. or warmer. The temperature affects the adhesive Velcro, if conditions prevent installing in warmer weather it helps to store the adhesive Velcro at room temperature prior to installation.
2. Carefully open the carton and remove the enclosure on a large flat surface that is clean and free of dirt.
3. Check over the parts included in the carton with the parts list shown below:

Adhesive Velcro Hook Strips:

“ “ “ “
“ “ “ “

Soft Doors

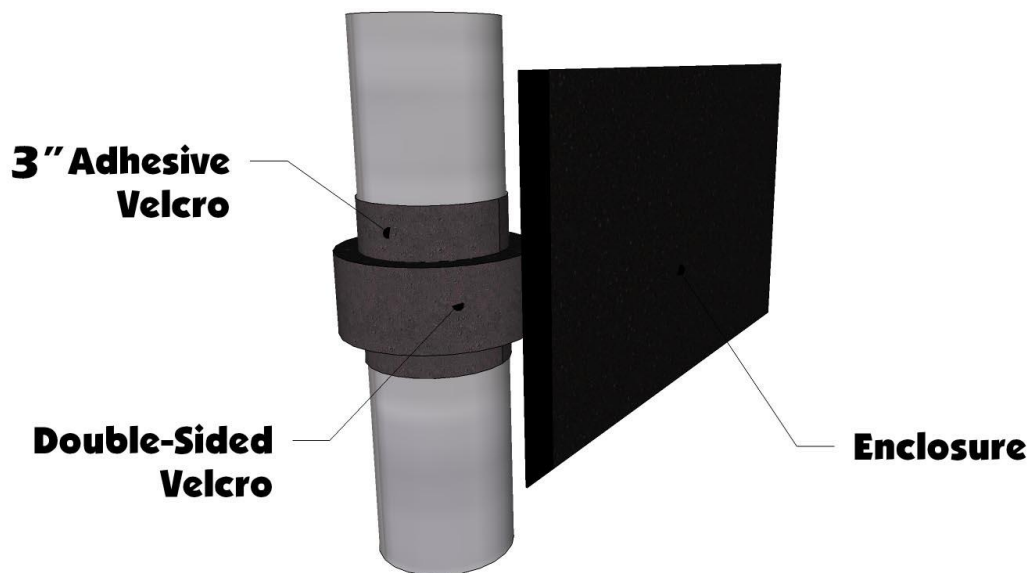
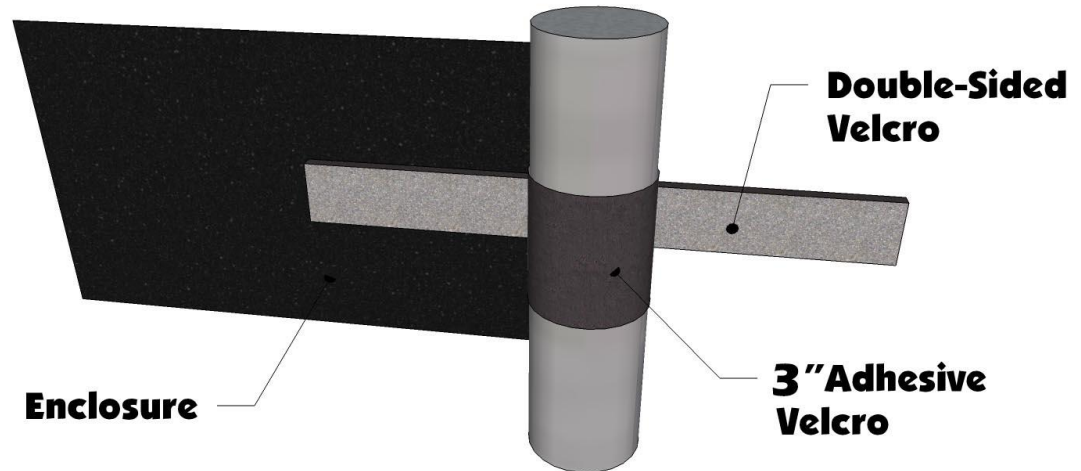
28 each-----3"

2 each-----32"

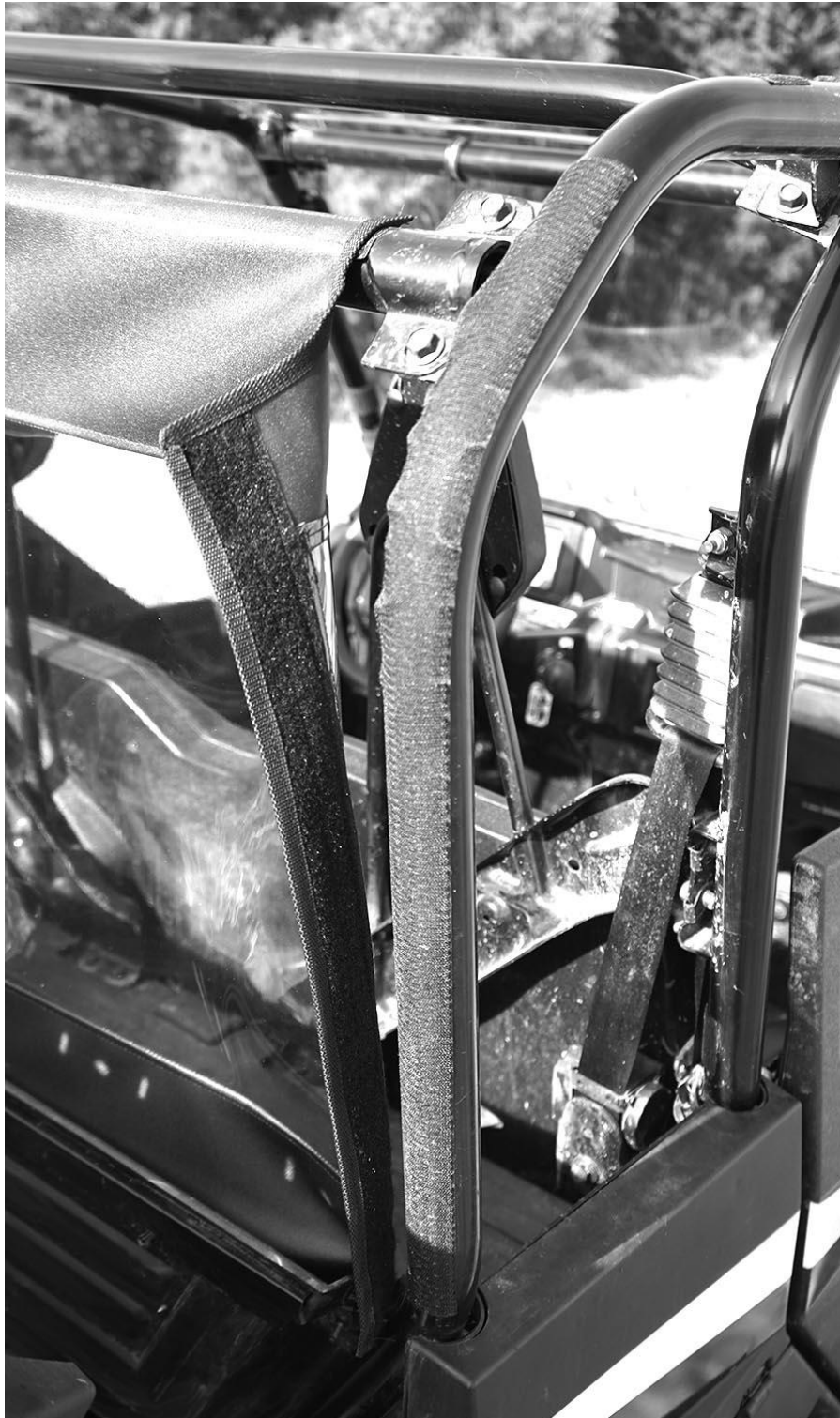
Snap Screw Studs

21 each (1 extra)

1. Begin by holding the door up to the frame and attach it using the double-sided Velcro strips sewn perpendicular to the edge of the door. At each of the double-sided strips take one of the 3" adhesive Velcro strips and adhere it to the inside of the frame. Then wrap the double-sided strip around it so that the adhesive strip holds it firmly in place. the following diagrams shows how it should look.



2. Next take the 30" adhesive Velcro strips and run it down the back of the roll cage facing towards the rear of the vehicle. Start at the bottom and work your way up the bar. You will see the double-sided Velcro tabs sewn along the back of the doors that will attach to this strip. See photo below.



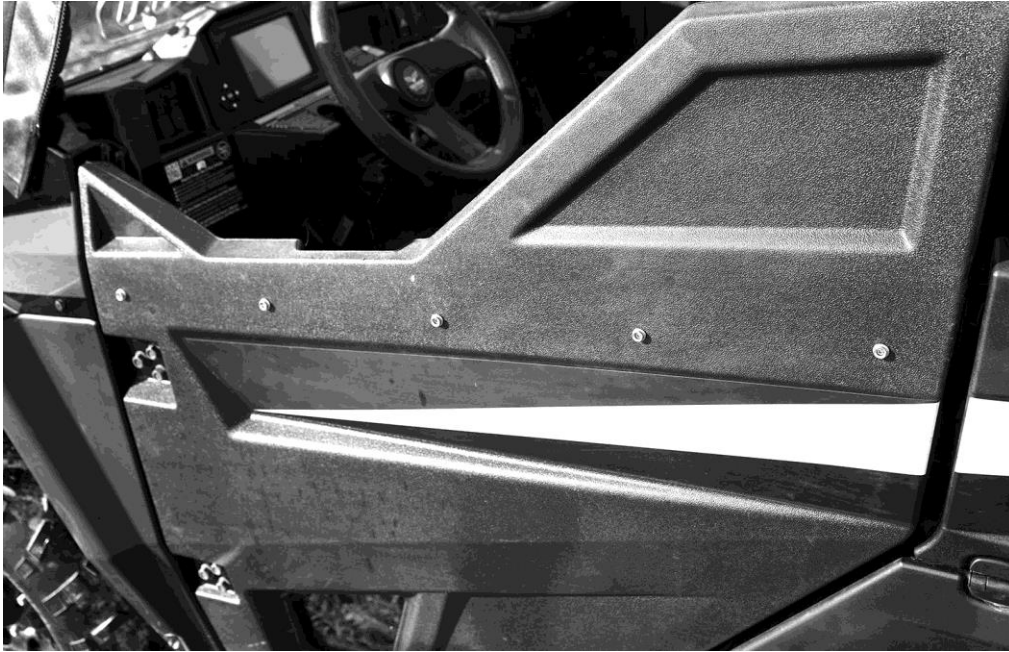
3. Next place two 3” adhesive strip on the center bar towards the bottom to match up with the two tabs as shown in the photo below.



4. Last piece of Velcro is the 3” strip on the end of the front strip as shown in the photo below.



5. Once all the Velcro is in place the last thing to do is install the screw snap studs. **NOTE: The best way to install the snap studs is to put them in the sockets in the door first. Then push them into the plastic to make a mark. Then pull the screw stud out and screw it into the plastic where the mark was made. See Photos Below.**



6. Final step on the doors are to install the polycarbonate panel in the hole at the bottom of the factory half door. Take the panel screws and install the panel on the inside of the door as shown in the pictures below.





Cleaning and Storage Recommendations:

1. Before removing the Over Armour Cab for storage, make sure it is very clean in order to prevent scratching of the window panels. Clean with a soft rag or sponge using a mild liquid detergent soap and warm water solution. Never rub the windows with a dry cloth or rag! Let the Cab dry thoroughly before attempting to roll for storage.
2. It is important that the Cab be rolled up for storage rather than folding. Folding will cause damage to the windows!!! Carefully roll up the Cab similar to the way it was when it was packed at the factory. On a large, clean and flat surface, fold the doors over the rear panel first, then, interleave the top and windshield on top of the doors. Begin rolling the Cab into a roll approximately 8 inches in diameter. Put the rolled Cab back into the carton for storage at a normal room temperature. It is best not to expose the Cab to either extreme hot or cold temperatures when storing.
3. A special cleaner conditioner is available from Over Armour that will greatly increase the service life of the Cab Enclosure. In addition, if additional hook and loop sets are needed, they can also be ordered.