

# Over Armour Offroad

2515 Bypass Road Flemingsburg, KY 41041  
606-845-7439

**Instructions for Installation and Care of**  
**Polaris RZR 800/900**  
**Soft Door Kit**  
**PO-RZR-SDK01**

**CAUTION: Do not smoke inside the cab or expose the enclosure to direct flames. Product is FLAMMABLE.** Be sure to read these instructions thoroughly before opening and installing the enclosure. The installation is best done when ambient temperature is 70°F or warmer. If installed in cold weather, warming the adhesive Velcro strips before installation is recommended.

1. Carefully open the carton and remove the rolled up Cab Enclosure on a large flat surface that is clean and free of dirt or other material that may soil or scratch the windows of the Cab.
2. This cab enclosure is made up of 2 different panels that all come together to fully enclose the sides and rear of the vehicle. You may put on different pieces or leave other pieces off to create the enclosure that best meets your needs.
3. Check over the parts included in the carton with the parts list shown below:

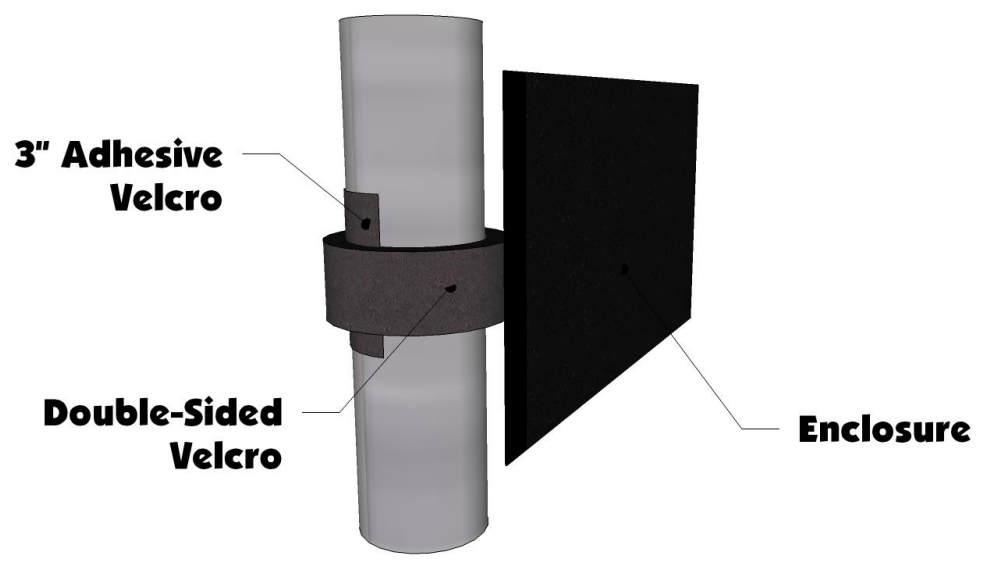
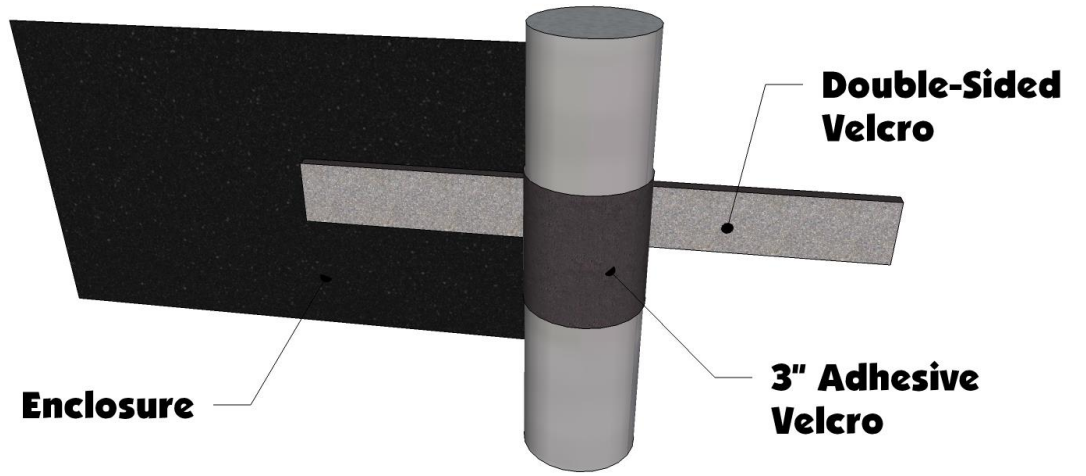
**Doors:**

Velcro Hook strips:

“ “	2 each	28” long
“ “	2 each	20” long
“ “	14 each	3” long
12” Bar with Adhesive	2 each	
Snap studs	14 each (2 extra)	
Door Panels	2 each	

## **4. Door Panels**

- a. Before installing the cab enclosure you will need to remove the seats and set them aside.
- b. Begin installation by hanging the Door Panels from the top by using the 3” adhesive Velcro strips as shown in the photos on the next page:



- c. Begin installation of the Door Panels by hanging them from the Double-Sided Strips along the top of the doors. Hold the door up and mark where the each strip is and wrap a 3” adhesive strip around the roll cage. Now hang the door up and it will be in place to install the rest of the Velcro for the door. See Photo Below:



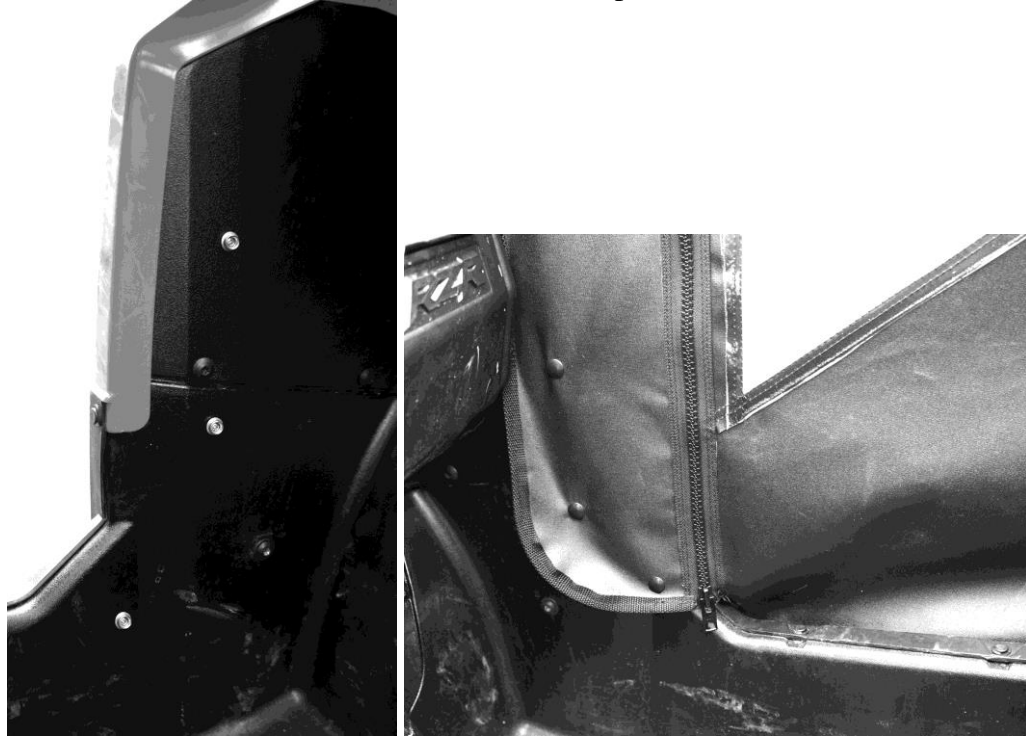
- d. Now move around the door and attach the remaining Velcro strips in the same manner. Down the front of the door place the edge of the door against the side of the windshield and run the Velcro strips under it with the 3” adhesive Velcro on the inside of the roll cage.
- e. The rear of the door panel has two double-sided Velcro tabs that attach to the rear bar. For these you will take the two 20” adhesive Velcro strips and attach them down the rear bars facing the rear of the vehicle. Then attach the tabs to the bar as shown in the photo on the next page.



- f. Once the upper portion of the doors are in place it's time to place the Velcro, snaps and metal flat bar around the rear portion of the doors.
- g. Start with the bottom rear side of the door and attach the 28" adhesive Velcro down the sides of the vehicle to match up with the Velcro sewn along the edge as shown in the photo below.



- h. Next take the front of the door and tuck it inside the vehicle. There are three snaps that will go on the inner panel. NOTE: it helps to place the screw snaps into the sockets on the cabs first, then starting at the top one, push them into the plastic so a small dimple is left behind. Then pull the screw snap back out and screw it into the plastic where the mark was made. See photo below



- i. Next do the same for the three snaps along the bottom rear corner of the door as shown in the photo below.



- j. Lastly take the 12” metal bar and remove the paper on the back to expose the adhesive tape. Then stick it to the side of the vehicle so that it matches up with the magnets sewn along the bottom front corner of the door. See Photo Below:



#### Cleaning and Storage Recommendations:

1. Before removing the Mammoth Cab for storage, make sure it is very clean in order to prevent scratching of the window panels. Clean with a soft rag or sponge using a mild liquid detergent soap and warm water solution. Never rub the windows with a dry cloth or rag! Let the Cab dry thoroughly before attempting to roll for storage.
2. It is important that the Cab be rolled up for storage rather than folding. Folding will cause damage to the windows!!! Carefully roll up the Cab similar to the way it was when it was packed at the factory. On a large, clean and flat surface, fold the doors over the rear panel first, then, interleave the top and windshield on top of the doors. Begin rolling the Cab into a roll approximately 8 inches in diameter. Put the rolled Cab back into the carton for storage at a normal room temperature. It is best not to expose the Cab to either extreme hot or cold temperatures when storing.
3. A special cleaner conditioner is available from Mammoth Designs that will greatly increase the service life of the Cab Enclosure. In addition, if additional hook and loop sets are needed, they can also be ordered.