

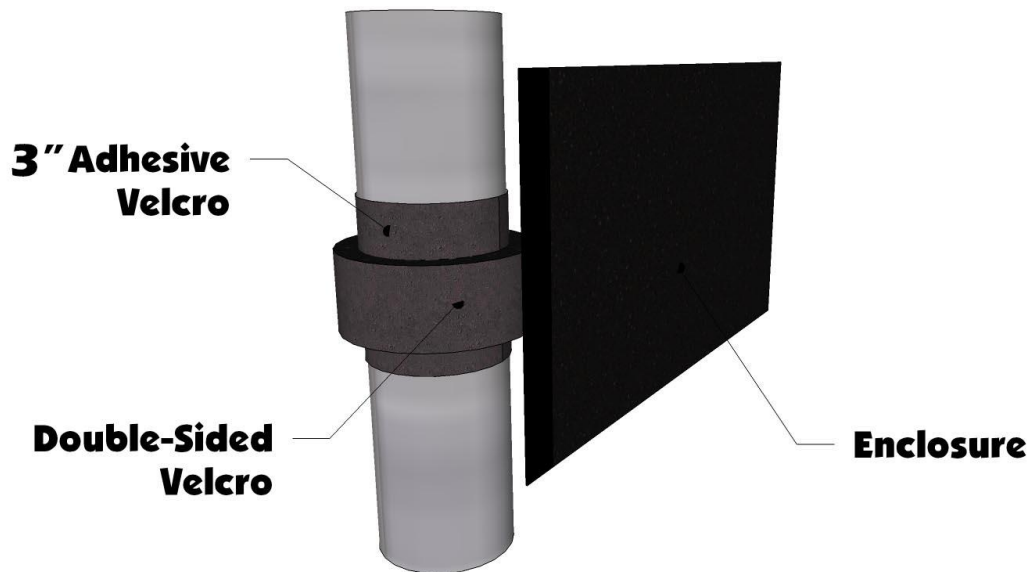
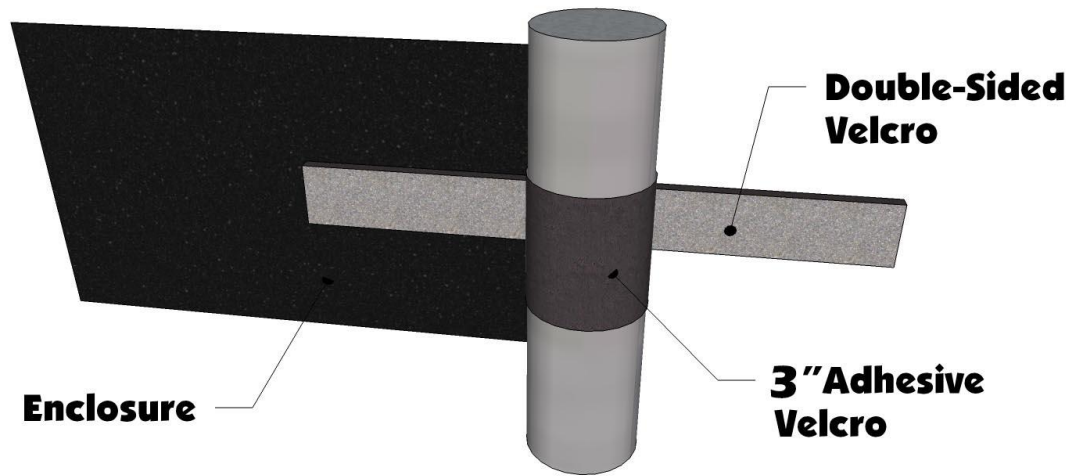
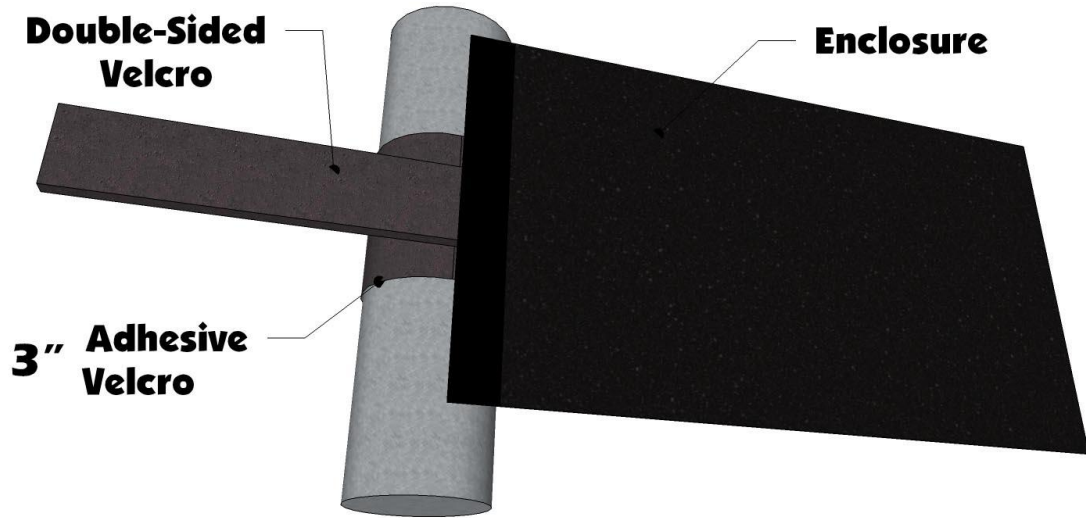
Over Armour Offroad

2515 Bypass Rd. Flemingsburg, KY 41041
606-845-7439

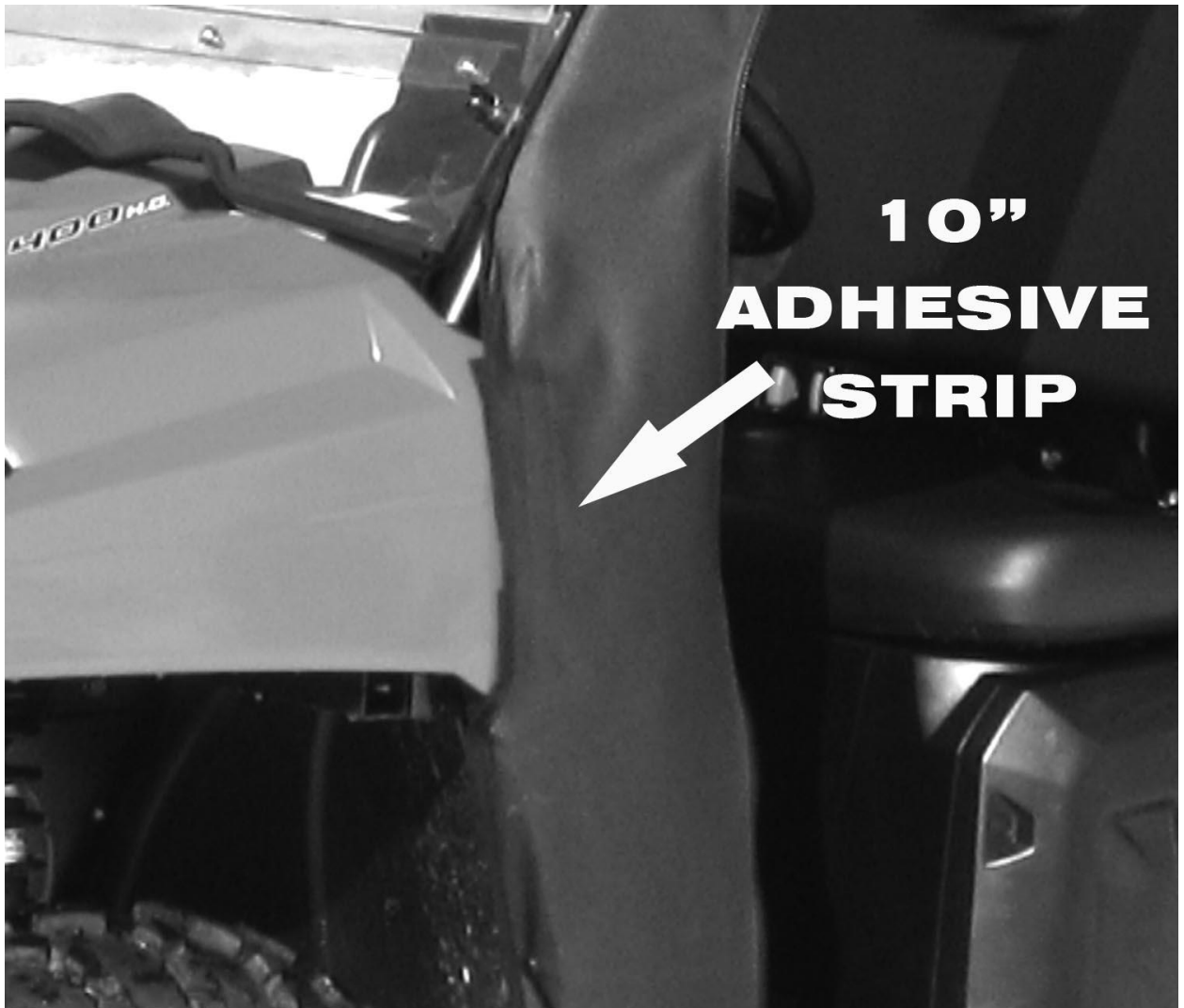
Instructions for Installation Instructions for Installation and Care of
10 Midsize Polaris Ranger
Soft Door Rear Kit
PO-10MIDRANGER -SDK01

Notice: Do not smoke inside the cab or expose the enclosure to direct flames. Cab is Flammable.

1. Be sure to read these instructions thoroughly before opening and installing the cab enclosure. The installation is best done when the temperature is 70 degrees F. or warmer. This is to allow the Velcro to stick to the roll cage better, if you must install outside in the cold it will help to warm the Velcro inside at room temp. until ready to install.
2. Carefully open the carton and remove the rolled up Cab Enclosure on a large flat surface that is clean and free of dirt or other material that may soil or scratch the windows of the Cab.
3. It will help to raise the bed prior to installing the cab enclosure.
4. Check over the parts included in the carton with the parts list shown below:
Velcro Hook strips:
“ “ 2 each 10” long
“ “ 2 each 12” long
“ “ 28 each 3” long
Snap studs 15 each (1 extra)
Cab Enclosure 1 each
5. To begin installation of the Soft Door Kit hold the door up to the frame and see where the double-sided straps will wrap around the roll cage. Take a 3” adhesive hook strip and place it on the roll cage on the inside surface of the bars at a couple of locations in the top corners to place the door where it needs to be. Then place the door up on to the frame held in place by the couple of strips. Then proceed to place the rest of the 3” adhesive strips to match up with the remaining double-sided strips sewn to the edge of the door. Photos on the next page how the system works



6. Next take the 10" and 12" adhesive hook strips to match up with the front and rear of the door. The front gets the 10" strip on the plastic and the 12" goes on the roll cage down the back of the door. The photo below shows where the front 10" strip goes.



7. Now install the snaps along the inside of the fenders to match up with the snaps on the cab enclosure and you are ready to go. The photos below will help show you where the snaps go.



Cleaning and Storage Recommendations:

1. Before removing the Over Armour Cab for storage, make sure it is very clean in order to prevent scratching of the window panels. Clean with a soft rag or sponge using a mild liquid detergent soap and warm water solution. Never rub the windows with a dry cloth or rag! Let the Cab dry thoroughly before attempting to roll for storage.
2. It is important that the Cab be rolled up for storage rather than folding. Folding will cause damage to the windows!!! Carefully roll up the Cab similar to the way it was when it was packed at the factory. On a large, clean and flat surface, fold the doors over the rear panel first, then, interleave the top and windshield on top of the doors. Begin rolling the Cab into a roll approximately 8 inches in diameter. Put the rolled Cab back into the carton for storage at a normal room temperature. It is best not to expose the Cab to either extreme hot or cold temperatures when storing.
3. A special cleaner conditioner is available from Over Armour that will greatly increase the service life of the Cab Enclosure. In addition, if additional hook and loop sets are needed, they can also be ordered.

Return Policy

If for any reason you choose to return this product it must be returned within **30 days from date item is received**. You **MUST** package the product exactly **as it was originally packaged from the factory to get a full refund for the product!**

The vinyl windows should never be folded when packaging in the box or for storage purposes. Lay all the windows on top of each other with the canvas folded in between and the paper (if available) on both sides of the windows.

All returned products will be inspected upon arrival at the production facility and must be in unused, factory new condition to receive refund - a 25% restocking fee will apply.

If ordered from Over Armour Offroad please call at 606-845-7439 to gain a return authorization number, use our preferred shipping carrier (UPS) to return the item (unless the item is defective, you are responsible for paying the shipping to return the item.) **Any returns submitted to Over Armour Offroad without a return authorization number will be charged a 20% restocking fee.** If ordered from one of Over Armour Offroads many distributors', you must first call them and see what their return policy is. Once your item reaches our production facility, our customer satisfaction team will inspect your item to ensure unused, factory new condition. **NOTE: All windshields must be returned with the original protective film intact and not removed. Do NOT REMOVE if you have any intentions of returning the item. Refund/ replacement of a windshield will only be processed on items with original protective film or if the windshield is defective.**

Items must be properly packaged in the original shipping carton to protect them during transit and ensure your returned item arrives back factory fresh, and in new resalable condition (**any returned items that have been used, altered or damaged in any way will not be subject for a refund.**) All contents including instruction manuals, accessories, hardware, Velcro, etc. must be included in your return shipment. Only items in OEM factory new condition will be approved. Once returned items are received, credit will be issued to the original credit card/ payment method used for the purchase. Outbound shipping and return shipping cost will not be refunded. Please allow 4 to 6 weeks for your refund to be processed.

Warranty

To The Owner of this Product:

Thank you for purchasing one of Over Armour Offroad Cab Enclosures, Tops &/or Windshields!
Below are the terms under which your product is covered under our manufacturer's warranty.

30 Day Warranty which includes and is not limited to replacing the enclosure, tops and/or windshield due to defect of the product. Please refer to the return policy in this case for more information.

1 Year Warranty includes any defect in material or workmanship within this time frame we will gladly correct the problem or replace the enclosure, tops &/or windshield. Upon submitting for the correction or replacement we will need to receive pictures of the defect in material or workmanship along with the receipt from the date of purchase.

Thank you,

Over Armour Offroad
www.overarmouroffroad.com