

Over Armour Offroad

2515 Bypass Rd. Flemingsburg, KY 41041
606-845-7439

Instructions for Installation and Care of

Massimo MSU500

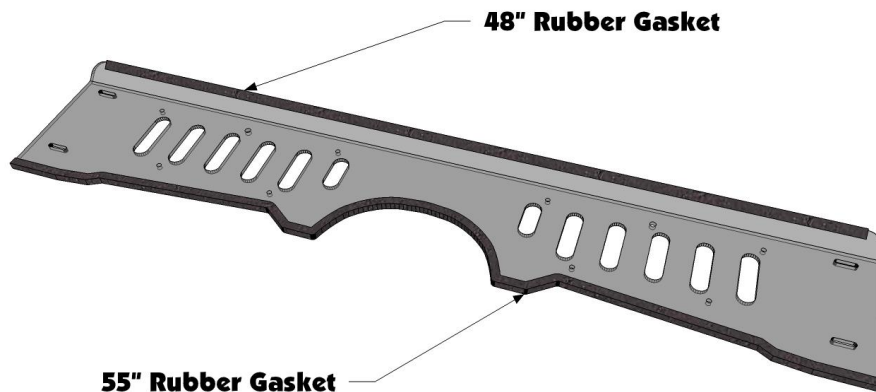
Aero-Vent Lexan Windshield

MA-MSU500-WD05

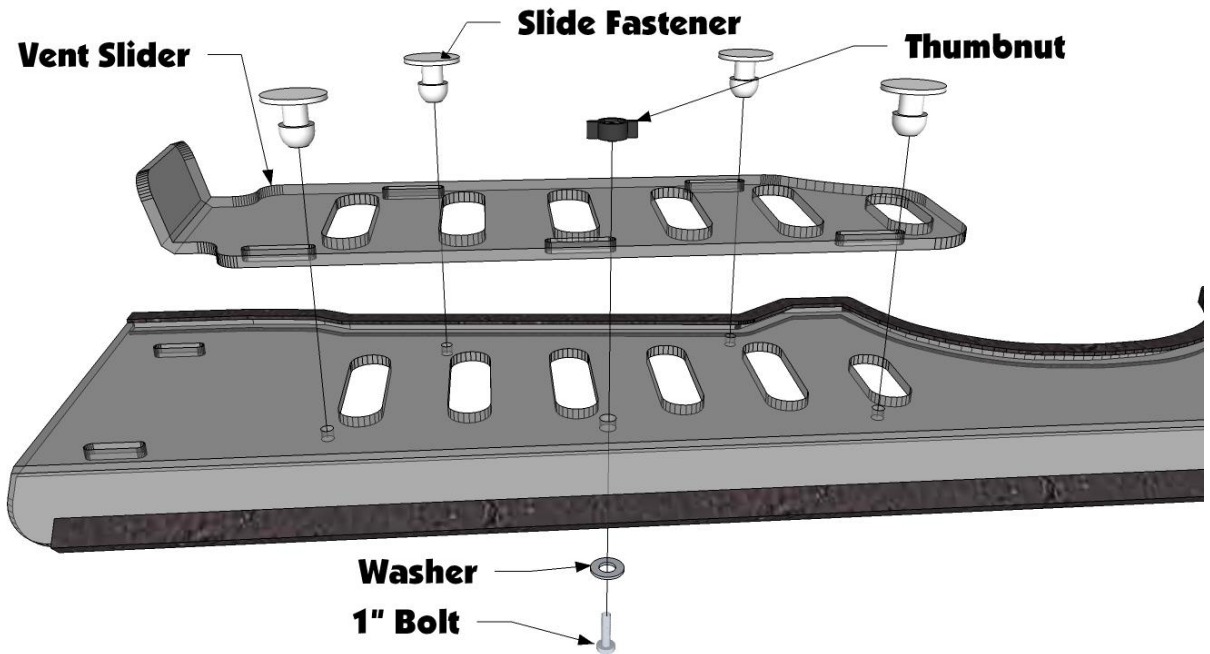
1. Be sure to read these instructions thoroughly before opening and installing the Massimo MSU500 Aero-Vent Lexan Windshield.
2. Check over the parts included in the cartons with the parts list shown below:

1 3/4" Loom Clamps	8 each
1" Stainless Steels Bolts	14 each
Stainless Steel Washers	18 each
Thumb Nuts	10 each
Slide Fastener	8 each
Lock Nuts	4 each
55" Rubber Gasket	1 each
48" Rubber Gasket	1 each
Bent Brace	1 each
Vent Sliders	2 each
Lexan Windshield	2 Pieces

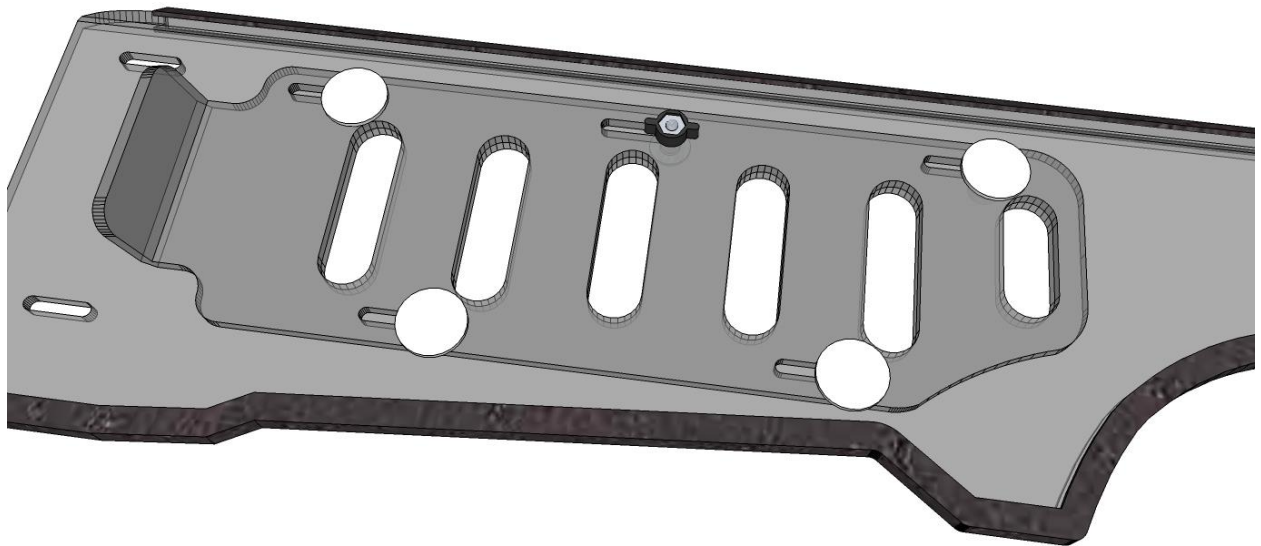
3. Start by pulling it out of the box, find a clean area to lay it down, and install the hardware. Begin by peeling off the protective film. Next take the 55" piece of rubber gasket and starting at one end firmly place along entire bottom edge of the Windshield. Then install the 48" rubber gasket along the top of the bottom section as shown in the photo below.



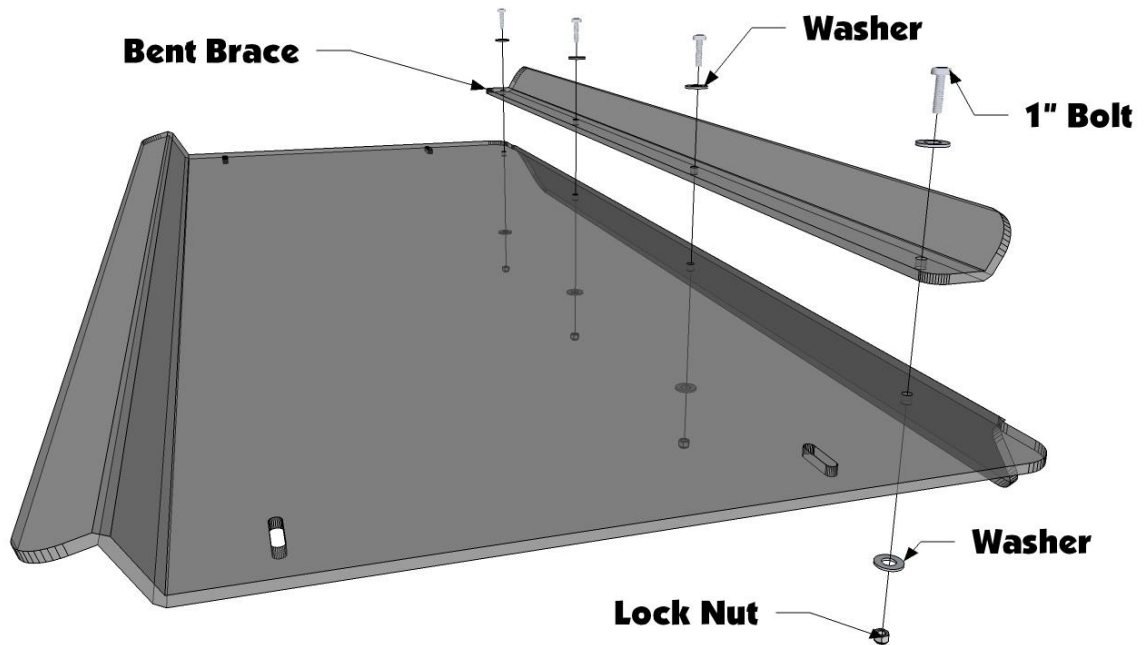
4. Next install the two sliding vent panels on the inside of the bottom section of the windshield as shown in the photo below.



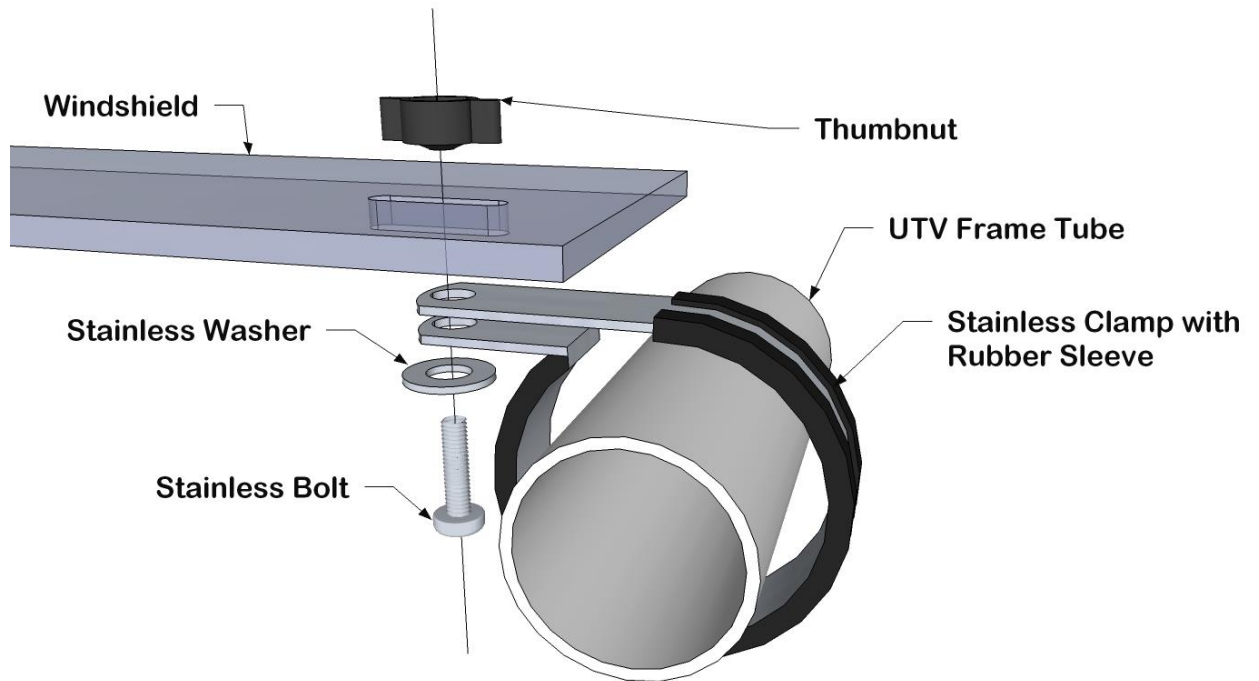
5. When installed the vent should look like the image below.



6. Next install the bent brace along the top of the Windshield as shown in the photo below. **(NOTE: This brace is meant to seal the front of the cab enclosure if used with one. If it is not compatible with any other accessories you may leave it off.)**



7. You are now ready to install the windshield on your roll cage. First place the bottom section on, centering it on the hood and clamping it to the bars as shown in the photo below.



8. Next place the top windshield section on the roll cage. It should mate with the bottom section as shown in the next few images.

