

Over Armour Offroad

2515 Bypass Rd. Flemingsburg, KY 41041
606-845-7439

Instructions for Installation and Care of

Kymco UXV 500/700

Full Cab fits Polycarbonate Windshield

KY-500/700-FC05

Notice: Do not smoke inside the cab or expose the enclosure to direct flames. Cab is Flammable.

1. Be sure to read these instructions thoroughly before opening and installing the Kymco UXV 500/700 Full Cab fits Poly Windshield. The installation is best done when the temperature is 70 degrees F. or warmer. The temperature affects the adhesive Velcro, if conditions prevent installing in warmer weather it helps to store the adhesive Velcro at room temperature prior to installation.
2. Carefully open the carton and remove the enclosure on a large flat surface that is clean and free of dirt.
3. Check over the parts included in the carton with the parts list shown below:

	<u>Doors</u>
Adhesive Velcro Hook Strips:	22 each-----3”
“ “ “ “	2 each-----6”
“ “ “ “	2 each-----24”
	<u>Rear Window</u>
“ “ “ “	2 each-----3”
“ “ “ “	2 each-----12”
“ “ “ “	1 each-----48”
	<u>Top Cap</u>
“ “ “ “	4 each-----6”
30" Webbing Strap W/ Grommet	2 each
Webbing Straps with Velcro	4 each
Snap Studs	17 each (1 extra)
Cab Enclosure	4 panels

The cab will be put together using the following parts and in this order.

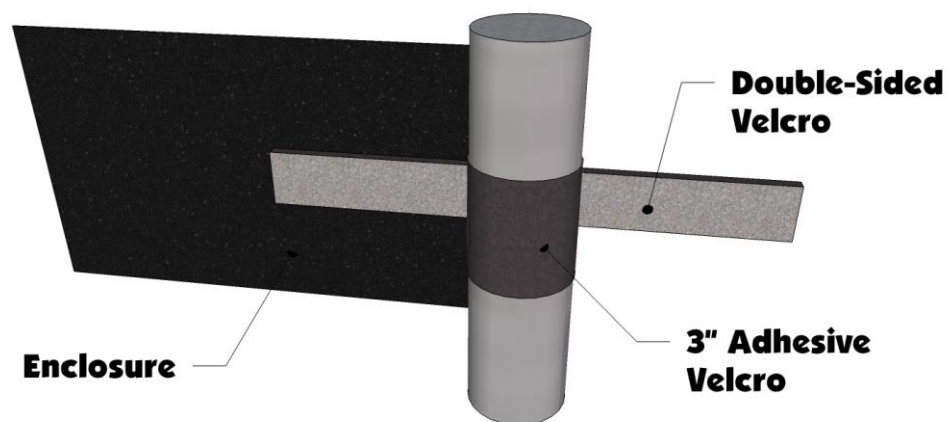
- 1) Doors
- 2) Rear Window
- 3) Top Cap

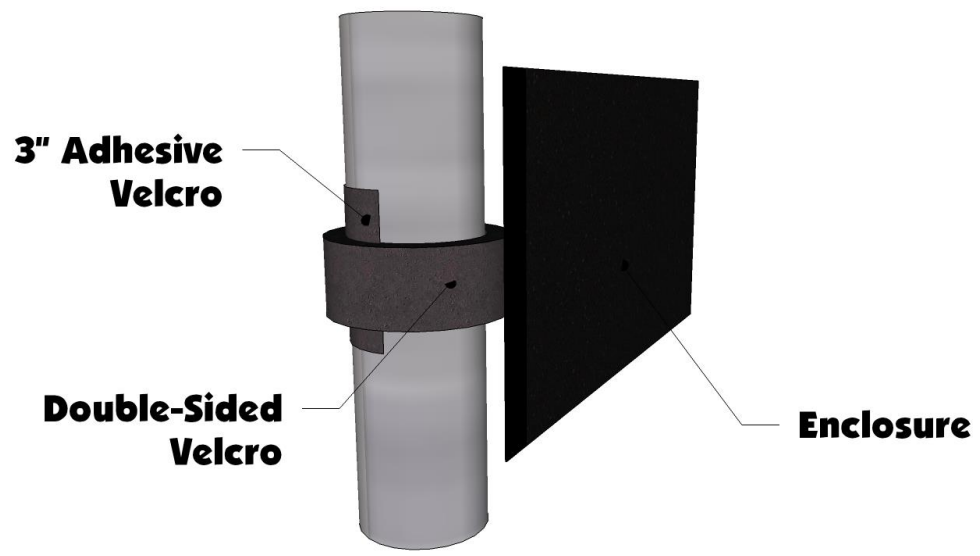
DOORS

1. Begin by installing the doors. If possible, have someone else hold the door in place and mark the location of each Velcro strip sewn along the **top and front** edges of the door. Now take the supplied 3" adhesive Velcro strips and wrap them around the roll cage at the marked locations. Now put the door back onto the vehicle and wrap the double-sided Velcro around the adhesive Velcro as shown in the photos on the next page.



2. The rear edge of the doors has a 24" double-sided Velcro tab that will attach to the rear of the roll cage. Place the 24" adhesive strip on the roll cage to match up with tab.
3. The diagrams below show how the double-sided straps and the 3" adhesive Velcro works.





4. The bottom of the door is held in place with snaps. The rear bottom has four snaps that attach to the outside of the vehicle as shown in the photo below.



5. The front bottom section of the door has three snaps that attach inside the vehicle. They are reverse of the rear portion and will go on the inside wall of the foot well. See photos below.



6. Last part of the door is a snap on the end of the top front portion of the door. See photo below.



REAR WINDOW

7. The rear window has Velcro on all four sides. Start by centering the rear window and using the two 18" adhesive Velcro strips, attach the top to the cross bar on either side of the grab handle.
8. now work your way down the sides of the rear window starting with the double-sided Velcro strip on the top corner and then the 6" piece below that. The 24" Velcro sewn down the sides will attach to the back side of the Velcro Tab from the rear of the door.
9. Finally attach the two 11" adhesive strips to the vehicle to match up with the Velcro sewn to the bottom of the rear window.

TOP CAP

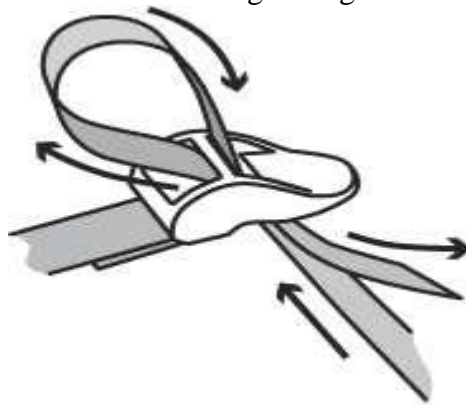
10. The last item to install is the Top Cap. You have been supplied with 6 straps, but in this case you will only be using 4 of them. In this case you will be using the two straps with a grommet in one end for the front and the two straps with a Velcro sewn in one end for the rear. The other two straps with double-sided Velcro sewn to the end is only used if you are using the Top Cap by itself with no windshield.
11. Place the Top Cap over the vehicle with the pointed end towards the front. Remove the thumb nuts that hold the bottom of the top windshield section. Then place the grommet over the bolt and replace the thumb nut so the strap is pointed upwards as shown in the photo below.



12. The rear of the Top Cap is held in place using the straps that have double-sided Velcro sewn in one end. Take the 6" adhesive Velcro strips and wrap them around the roll cage approximately 12" below the back of the Top Cap. Now take the end of the strap with the Velcro and wrap it around the bar and Velcro as tight as possible. Then take the other end of the strap and run it through the loop, pulling it tight. The photo below shows what it should look like.



13. Once all the straps are in place run them through the buckles. Pull them tight making sure the top is centered and the side seams line up correctly along the roll cage. The diagram below shows how to lace the webbing through the buckle.



14. Now that the Top Cap is all in place the only remaining piece to install is the bent brace across the top of the windshield. The front of the Top Cap should be overlapping the windshield and covering the bolt holes for the brace. You will need to cut small holes in the Top Cap to allow the bolts to pass thru it and the windshield. The reason for this is to seal the gap and block the wind from getting into the vehicle. The picture below shows how this should look.



Cleaning and Storage Recommendations:

1. Before removing the Over Armour for storage, make sure it is very clean in order to prevent scratching of the window panels. Clean with a soft rag or sponge using a mild liquid detergent soap and warm water solution. Never rub the windows with a dry cloth or rag! Let the Cab dry thoroughly before attempting to roll for storage.
2. It is important that the Cab be rolled up for storage rather than folding. Folding will cause damage to the windows!!! Carefully roll up the Cab similar to the way it was when it was packed at the factory. On a large, clean and flat surface, fold the doors over the rear panel first, then, interleave the top and windshield on top of the doors. Begin rolling the Cab into a roll approximately 8 inches in diameter. Put the rolled Cab back into the carton for storage at a normal room temperature. It is best not to expose the Cab to either extreme hot or cold temperatures when storing.

Return Policy

If for any reason you choose to return this product it must be returned within **30 days from date item is received**. You **MUST** package the product exactly **as it was originally packaged from the factory to get a full refund for the product!**

The vinyl windows should never be folded when packaging in the box or for storage purposes. Lay all the windows on top of each other with the canvas folded in between and the paper (if available) on both sides of the windows.

All returned products will be inspected upon arrival at the production facility and must be in unused, factory new condition to receive refund - a 25% restocking fee will apply.

If ordered from Over Armour Offroad please call at 606-845-7439 to gain a return authorization number, use our preferred shipping carrier (UPS) to return the item (unless the item is defective, you are responsible for paying the shipping to return the item.) **Any returns submitted to Over Armour Offroad without a return authorization number will be charged a 20% restocking fee.** If ordered from one of Over Armour Offroads many distributors', you must first call them and see what their return policy is. Once your item reaches our production facility, our customer satisfaction team will inspect your item to ensure unused, factory new condition. **NOTE: All windshields must be returned with the original protective film intact and not removed. Do NOT REMOVE if you have any intentions of returning the item. Refund/ replacement of a windshield will only be processed on items with original protective film or if the windshield is defective.**

Items must be properly packaged in the original shipping carton to protect them during transit and ensure your returned item arrives back factory fresh, and in new resalable condition (**any returned items that have been used, altered or damaged in any way will not be subject for a refund.**) All contents including instruction manuals, accessories, hardware, Velcro, etc. must be included in your return shipment. Only items in OEM factory new condition will be approved. Once returned items are received, credit will be issued to the original credit card/ payment method used for the purchase. Outbound shipping and return shipping cost will not be refunded. Please allow 4 to 6 weeks for your refund to be processed.

Warranty

To The Owner of this Product:

Thank you for purchasing one of Over Armour Offroad Cab Enclosures, Tops &/or Windshields!
Below are the terms under which your product is covered under our manufacturer's warranty.

30 Day Warranty which includes and is not limited to replacing the enclosure, tops and/or windshield due to defect of the product. Please refer to the return policy in this case for more information.

1 Year Warranty includes any defect in material or workmanship within this time frame we will gladly correct the problem or replace the enclosure, tops &/or windshield. Upon submitting for the correction or replacement we will need to receive pictures of the defect in material or workmanship along with the receipt from the date of purchase.

Thank you,

Over Armour Offroad
www.overarmouroffroad.com