

Over Armour Offroad

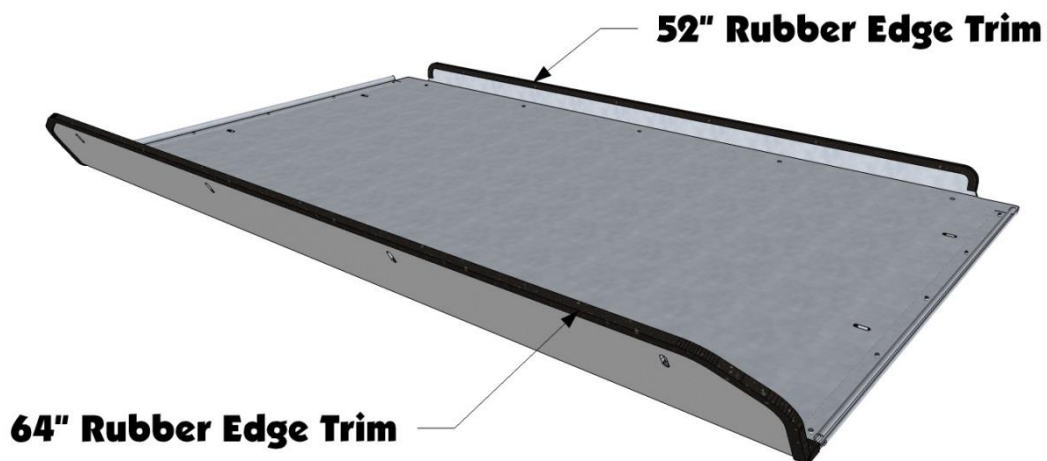
2515 Bypass Rd. Flemingsburg, KY 41041
606-845-7439

Instructions for Installation and Care of
Kawasaki Teryx 4
Slide N' Ride
Aluminum Diamond Plate Roof
KAW-TERYX4-HT01

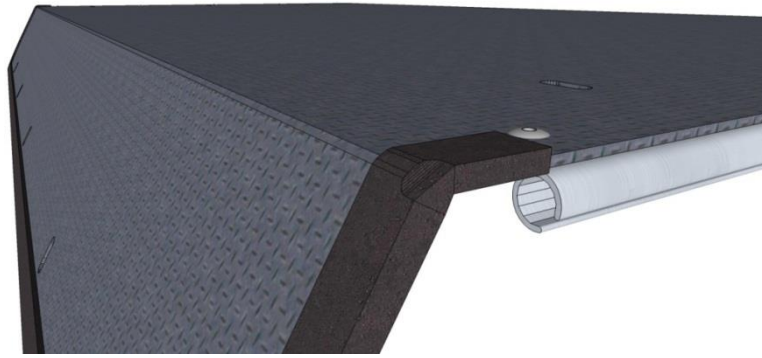
1. Be sure to read these instructions thoroughly before opening and installing the Mule 4010 Roof.
2. Check over the parts included in the cartons with the parts list shown below:

1 7/8" Loom Clamps	12 each
1" Stainless Steels Bolts	23 each
Large Washers	23 each
Small Washers	23 each
Rubber Washers	23 each
Lock Nuts	23 each
64" Rubber Edge Trim	1 each
64" Rubber Edge Trim	1 each
10" Rubber Edge Trim	2 each
55" Adhesive Rubber Seal	1 each

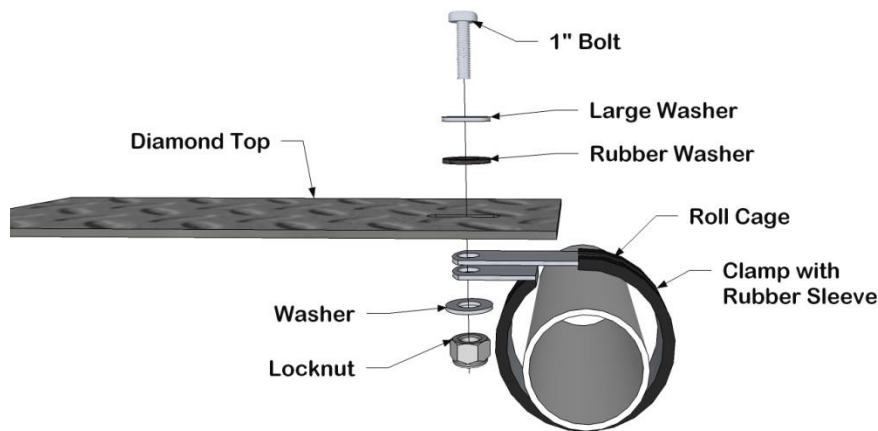
3. Begin by preparing the front section of the roof prior to placing it on the vehicle. First step is installing the two pieces of rubber edge trim on the front and back of the front section as shown in the photo below.



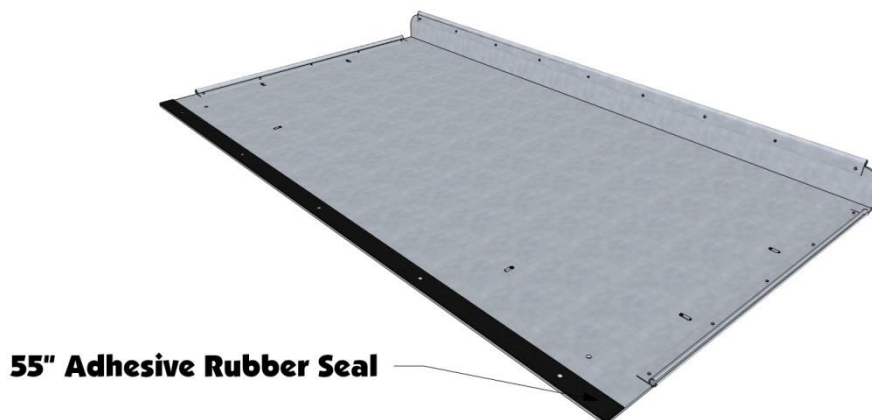
1. Run the edge trim from the channel on one side around to the channel on the other.
See photo below.



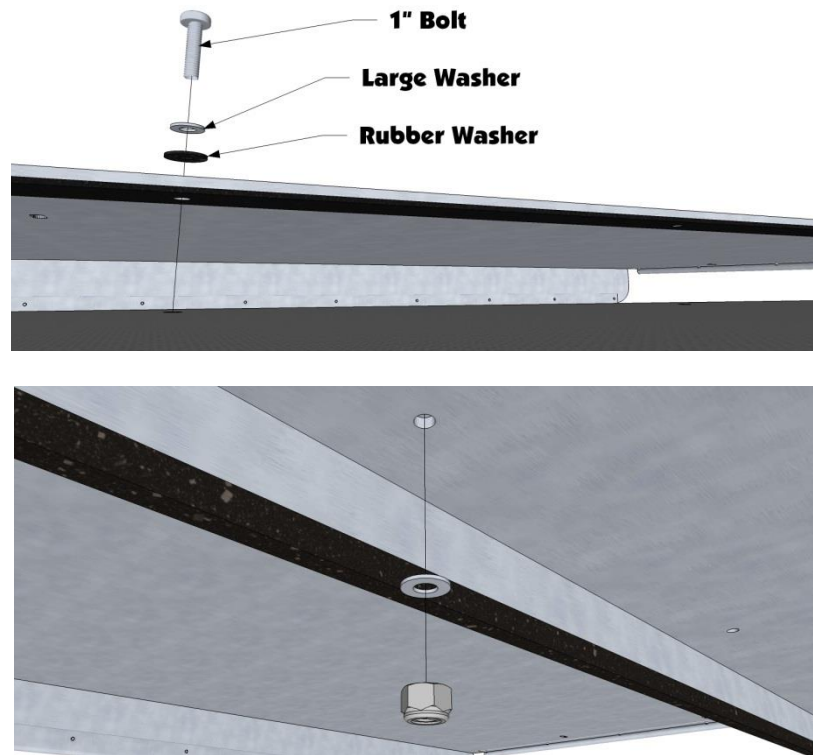
2. Next attach the front section of the roof to the vehicle using the 1 7/8" clamps, Rubber Washers, Large Washers, Small washers and a Lock Nut. These should be used along the sides of the roof with two on each side. The hardware should be attached as shown in the photo below.



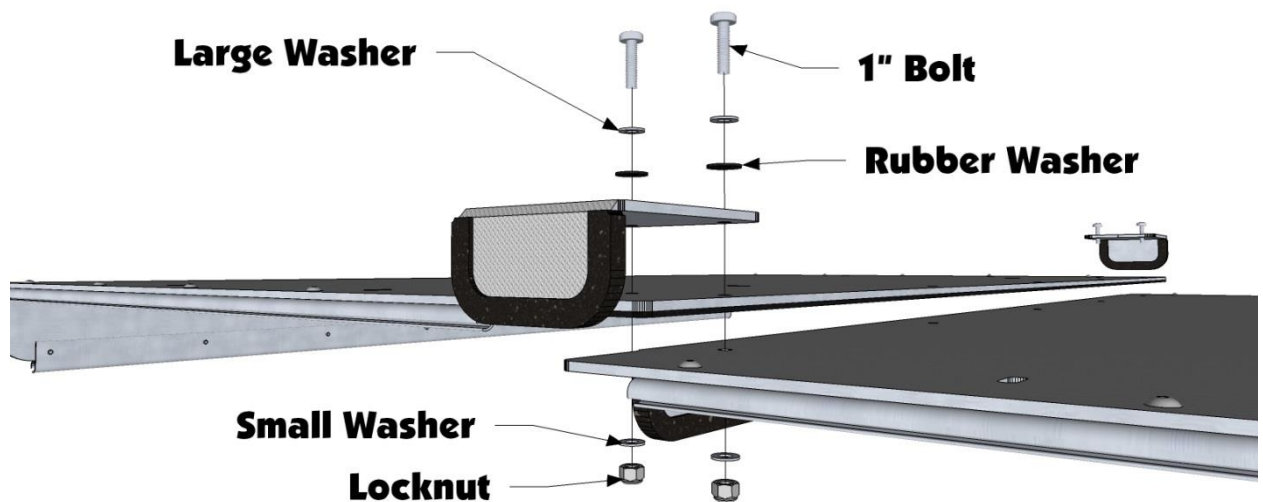
3. Once the front section is in place you must now prepare the rear section for installation. Take the 55" adhesive rubber seal and attach it to the bottom of the rear section covering the five bolt holes along the front of it as shown in the photo below. Once it's in place take a pocket knife and cut out the rubber seal where the holes are.



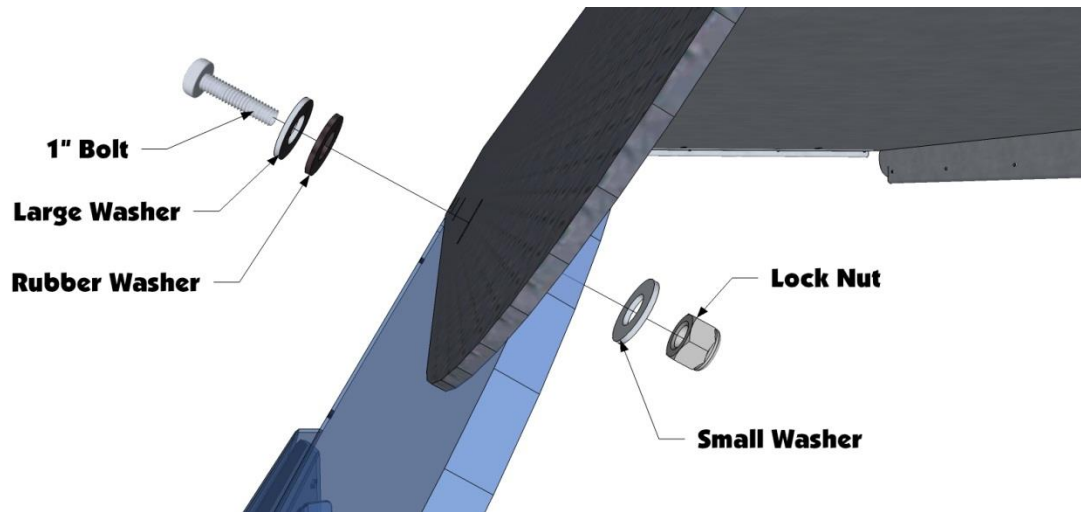
- Now place the rear section of the roof on the vehicle so that the five holes line up along both the front and rear sections. Start by installing the middle three bolts as shown in the photos below.



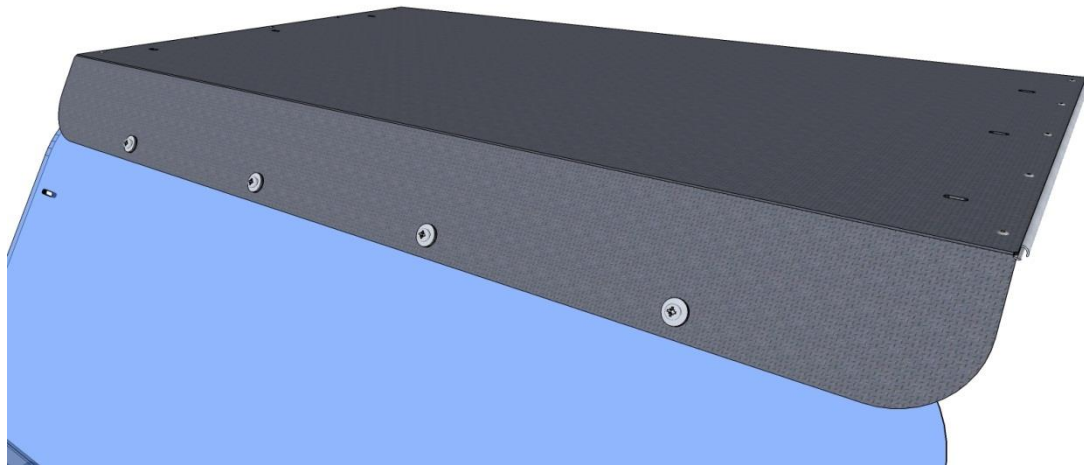
- The holes on the ends are to be used to attach the bent bolt covers. Attach them as shown in the photo below.



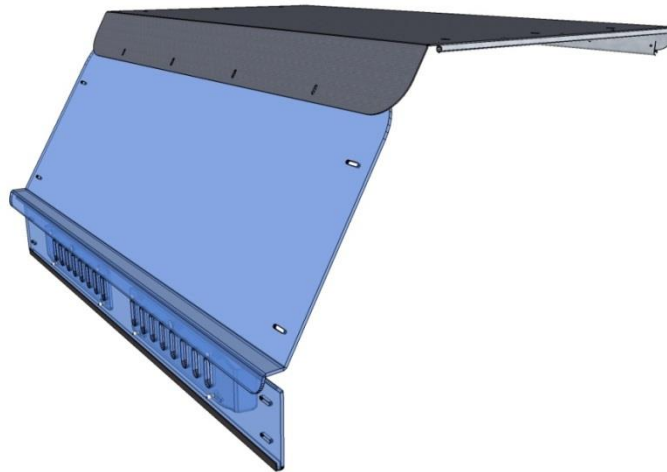
- Now all that is left is to install the remaining 6 clamps to the roll cage as you did with the front section and make sure that they are all tightened down.
- If you have a Mammoth Designs Windshield the two pieces are made to connect together using bolts. We suggest bolting the roof to the windshield before tightening down the clamps above. The photo below shows how the two pieces should be connected.

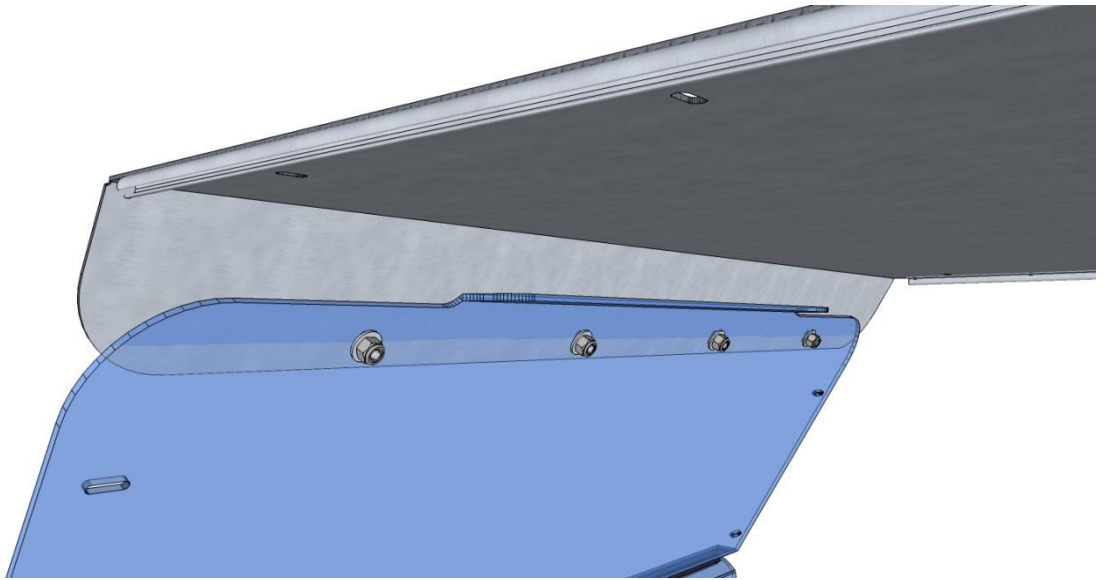
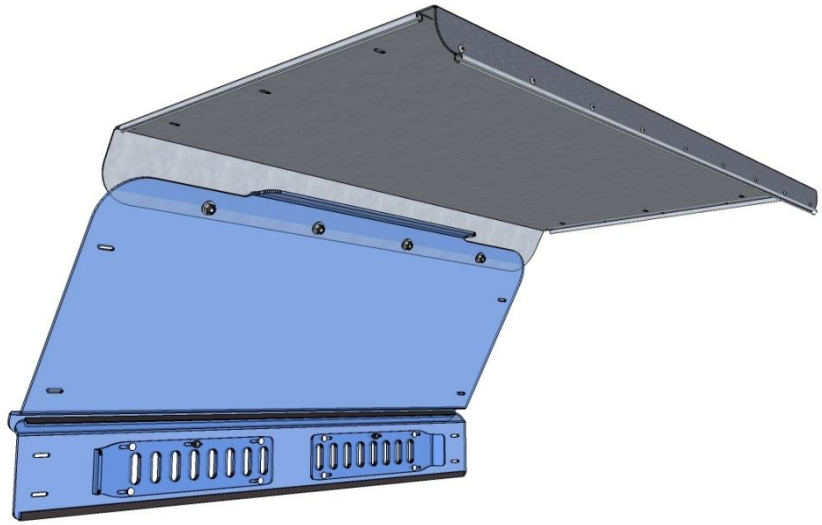


8. Make sure that the top and windshield are straight with each other. The bolt should fit in the middle of the slot on the roof. When together they should look like the photo below.



9. Now tighten the clamps holding the roof down and the installation is complete. The following photos show how everything should look.





Return Policy

If for any reason you choose to return this product it must be returned within **30 days from date item is received**. You **MUST** package the product exactly **as it was originally packaged from the factory to get a full refund for the product!**

The vinyl windows should never be folded when packaging in the box or for storage purposes. Lay all the windows on top of each other with the canvas folded in between and the paper (if available) on both sides of the windows.

All returned products will be inspected upon arrival at the production facility and must be in unused, factory new condition to receive refund - a 25% restocking fee will apply.

If ordered from Over Armour Offroad please call at 606-845-7439 to gain a return authorization number, use our preferred shipping carrier (UPS) to return the item (unless the item is defective, you are responsible for paying the shipping to return the item.) **Any returns submitted to Over Armour Offroad without a return authorization number will be charged a 20% restocking fee.** If ordered from one of Over Armour Offroads many distributors', you must first call them and see what their return policy is. Once your item reaches our production facility, our customer satisfaction team will inspect your item to ensure unused, factory new condition. NOTE: All windshields must be returned with the original protective film intact and not removed. Do NOT REMOVE if you have any intentions of returning the item. Refund/ replacement of a windshield will only be processed on items with original protective film or if the windshield is defective.

Items must be properly packaged in the original shipping carton to protect them during transit and ensure your returned item arrives back factory fresh, and in new resalable condition (**any returned items that have been used, altered or damaged in any way will not be subject for a refund.**) All contents including instruction manuals, accessories, hardware, Velcro, etc. must be included in your return shipment. Only items in OEM factory new condition will be approved. Once returned items are received, credit will be issued to the original credit card/ payment method used for the purchase. Outbound shipping and return shipping cost will not be refunded. Please allow 4 to 6 weeks for your refund to be processed.

Warranty

To The Owner of this Product:

Thank you for purchasing one of Over Armour Offroad Cab Enclosures, Tops &/or Windshields!
Below are the terms under which your product is covered under our manufacturer's warranty.

30 Day Warranty which includes and is not limited to replacing the enclosure, tops and/or windshield due to defect of the product. Please refer to the return policy in this case for more information.

1 Year Warranty includes any defect in material or workmanship within this time frame we will gladly correct the problem or replace the enclosure, tops &/or windshield. Upon submitting for the correction or replacement we will need to receive pictures of the defect in material or workmanship along with the receipt from the date of purchase.

Thank you,

Over Armour Offroad
www.overarmouroffroad.com