

# APE OFFROAD

2515 Bypass Rd. Flemingsburg, KY 41041  
606-845-7439

## Instructions for Installation and Care of Kawasaki Mule SX Slide N' Ride Aero Vent 2-Piece Lexan Windshield

KAW-SX-WD05

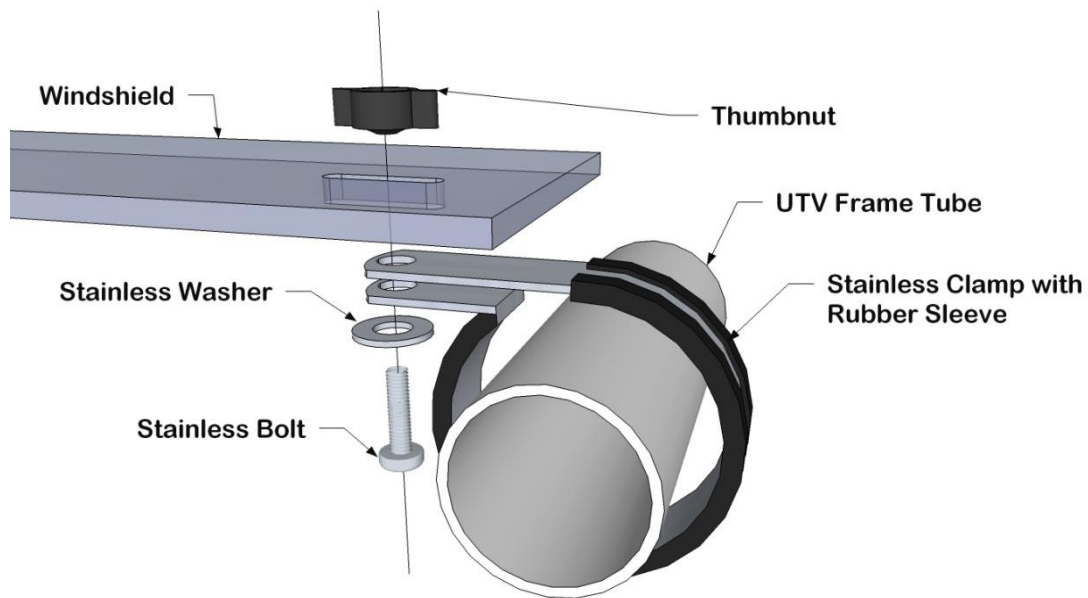
**WARNING: Make sure to fit the windshield on your vehicle before removing protective film. Be sure that your windshield fits properly before beginning installation. Once Protective Film is removed it cannot be returned for refund.**

1. Check over the parts included in the carton with the parts list shown below:

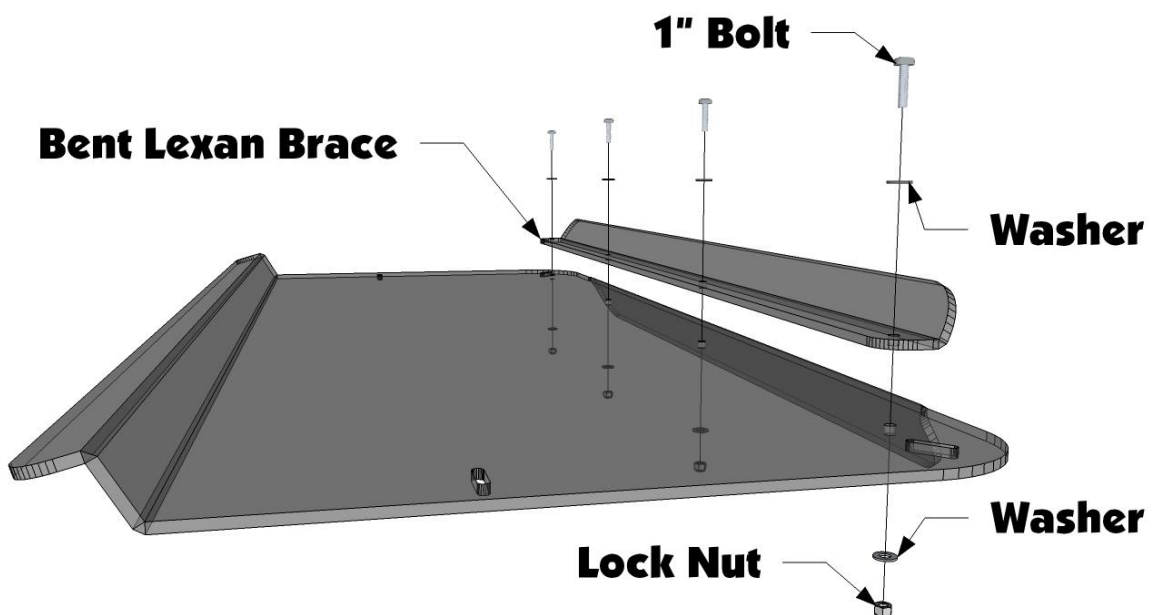
- 4----- 1 7/8" Clamps
- 10----- 1" Bolts
- 14----- Washers
- 4 ----- Lock Nuts
- 6----- Thumb Nuts
- 8 ----- Slide Fasteners
- 1 ----- 50" Rubber Gasket
- 1----- Bent Lexan Braces
- 1 ----- 2-Piece Lexan Windshield

**If any parts are damaged or missing please contact customer service at (606) 845-7439.**

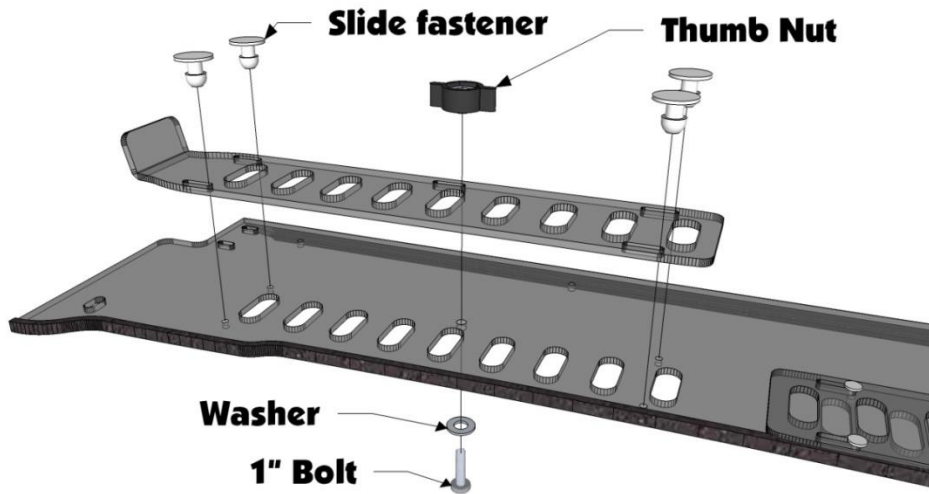
2. Begin by installing the top panel of the windshield to the frame of the Mule.
3. Place two clamps around the roll cage on each side of the frame. Then have someone hold the windshield in place while you install the hardware for each clamp. Hold the top panel up to the frame, placing the bend at the top under the top horizontal frame tube.
4. Below is the proper placement of the clamp and its hardware:



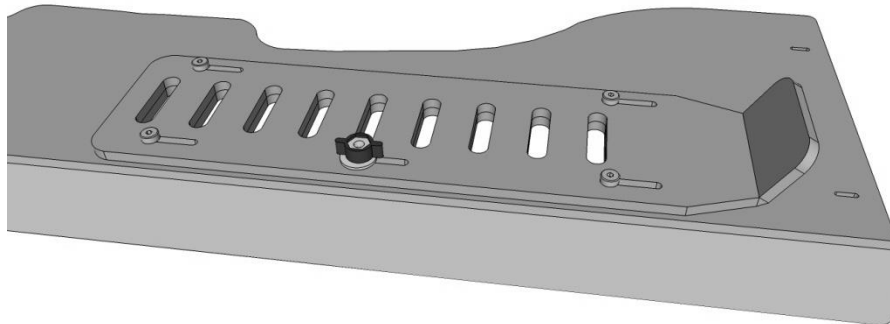
5. Once all four clamps have been installed, push the windshield against the top tube and tighten down the bolts.
6. Across the top of the windshield there are 4 holes that are for the bent Lexan braces provided.
7. The top brace is designed to work with the Ape Offroad cab systems. If you are not using the windshield with a cab the use of the top brace is optional but recommended.
8. Install the top brace as shown in the diagram below:



9. Now move on to the bottom panel of the windshield
10. Before attaching the bottom panel to the frame, install the Aero-Vent slider.
11. Start by installing a 1" bolt and washer into the thread inserts from outside in as shown in the diagram below.



12. Next place the vent slider on the inside of the bottom panel with the 1" bolt protruding through the middle slot.
13. Line up the four corner slots with the holes in the windshield panel and push the slide fasteners through the slots and into the hole. **NOTE: make sure the slider is in the correct position before installing slide fasteners since they are extremely difficult to remove once installed.**



14. Next place the 50" gasket along the bottom contoured edge of the Windshield.
15. The only thing left to do is slide the bottom section of the windshield into the channel along the bottom of the top section

16. Center the bottom section and lower it down on the hood. Take the bungee straps on either side of the windshield and wrap them around the roll cage and the posts along the edge of the Windshield.

## Return Policy

If for any reason you choose to return this product it must be returned within **30 days from date item is received**. You **MUST** package the product exactly **as it was originally packaged from the factory to get a full refund for the product!**

The vinyl windows should never be folded when packaging in the box or for storage purposes. Lay all the windows on top of each other with the canvas folded in between and the paper (if available) on both sides of the windows.

**All returned products will be inspected upon arrival at the production facility and must be in unused, factory new condition to receive refund - a 25% restocking fee will apply.**

If ordered from Ape Offroad please call at 606-845-7439 to gain a return authorization number, use our preferred shipping carrier (UPS) to return the item (unless the item is defective, you are responsible for paying the shipping to return the item.) **Any returns submitted to Ape Offroad without a return authorization number will be charged a 20% restocking fee.** If ordered from one of Ape Offroad's many distributors', you must first call them and see what their return policy is. Once your item reaches our production facility, our customer satisfaction team will inspect your item to ensure unused, factory new condition. **NOTE: All windshields must be returned with the original protective film intact and not removed. Do NOT REMOVE if you have any intentions of returning the item. Refund/ replacement of a windshield will only be processed on items with original protective film or if the windshield is defective.**

Items must be properly packaged in the original shipping carton to protect them during transit and ensure your returned item arrives back factory fresh, and in new resalable condition (**any returned items that have been used, altered or damaged in any way will not be subject for a refund.**) All contents including instruction manuals, accessories, hardware, Velcro, etc. must be included in your return shipment. Only items in OEM factory new condition will be approved. Once returned items are received, credit will be issued to the original credit card/ payment method used for the purchase. Outbound shipping and return shipping cost will not be refunded. Please allow 4 to 6 weeks for your refund to be processed.

## Warranty

To The Owner of this Product:

Thank you for purchasing one of Ape Offroad Cab Enclosures, Tops &/or Windshields! Below are the terms under which your product is covered under our manufacturer's warranty.

30 Day Warranty which includes and is not limited to replacing the enclosure, tops and/or windshield due to defect of the product. Please refer to the return policy in this case for more information.

1 Year Warranty includes any defect in material or workmanship within this time frame we will gladly correct the problem or replace the enclosure, tops &/or windshield. Upon submitting for the correction or replacement we will need to receive pictures of the defect in material or workmanship along with the receipt from the date of purchase.