

Over Armour Offroad

2515 Bypass Rd. Flemingsburg, KY 41041

606-845-7439

WARNING: Make sure to fit the windshield on your vehicle before removing protective film. Be sure that your windshield fits properly before beginning installation. Once Protective Film is removed it cannot be returned for refund.

Kawasaki Mule Pro-FXT/FX

Aero-Vent 2-Piece Lexan Windshield

KAW-PROFXT-WD05/KAW-PROFX-WD05

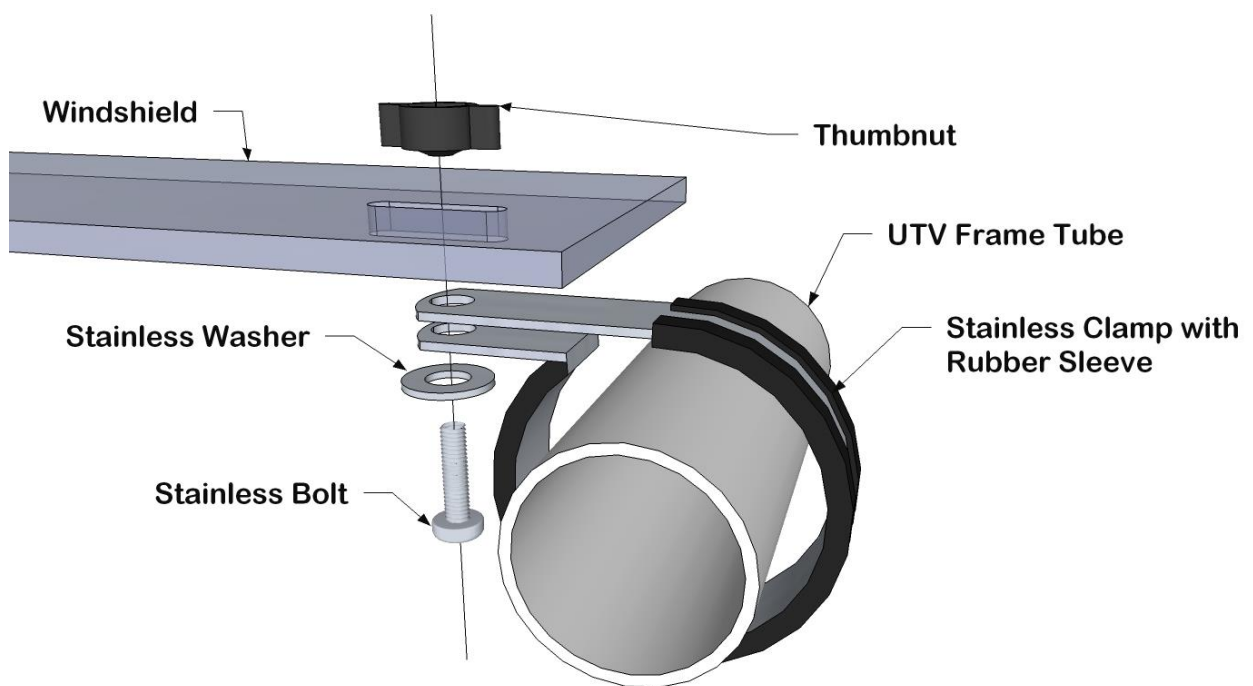
In the Box:

- 10 ----- 1 7/8" Clamps
- 17 ----- 1" Bolts
- 22 ----- Washers
- 5 ----- Lock Nuts
- 12 ----- Thumb Nuts
- 8 ----- Slide Fasteners
- 2 ----- 58" Rubber Gasket
- 1 ----- Bent Lexan Braces
- 1 ----- 2-Piece Lexan Windshield

- **Please check the parts to assure that you have received all of the parts. If any parts are missing please call Mammoth Designs at the number above and the parts will be promptly sent to you**

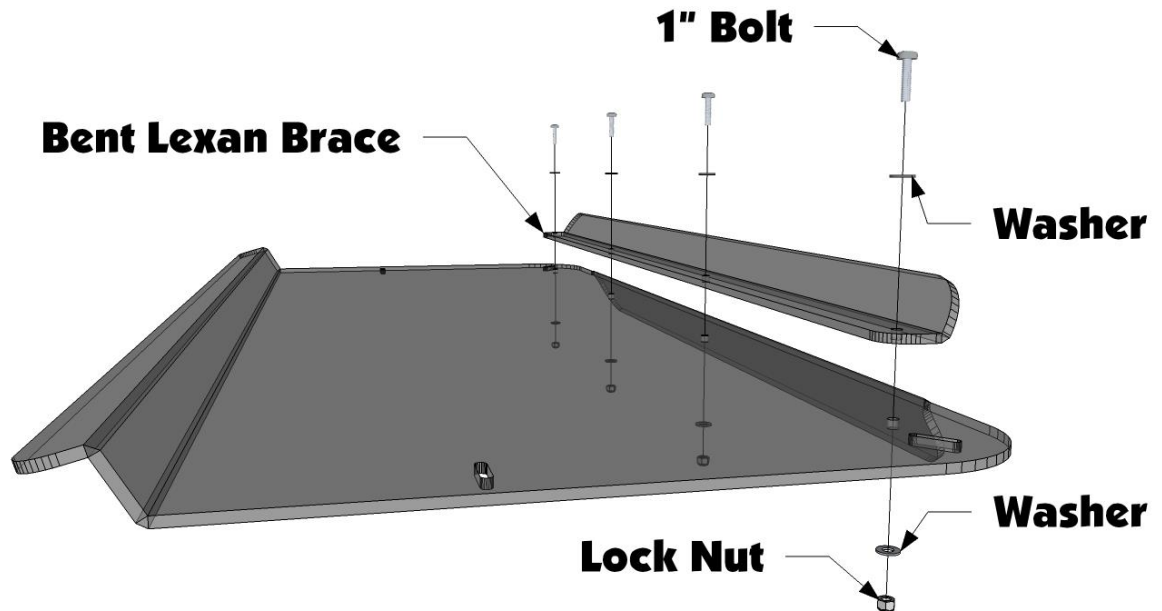
Installation:

- Begin by installing the top panel of the windshield to the frame of the Mule.
 - Place three clamps around the roll cage on each side of the frame. Then have someone hold the windshield in place while you install the hardware for each clamp. Hold the top panel up to the frame, placing the bend at the top under the top horizontal frame tube.
- Below is the proper placement of the clamp and its hardware:

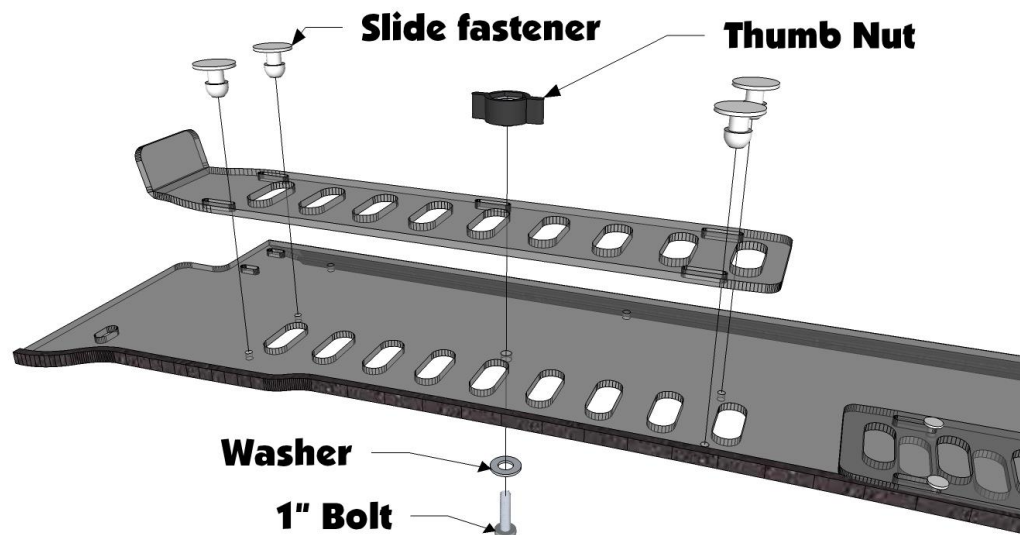


- Once all six clamps have been installed, push the windshield against the top tube and tighten down the bolts.
- Across the top of the windshield there are 5 holes that are for the bent Lexan brace provided.
- The top brace is designed to work with the Mammoth Designs cab systems. If you are not using the windshield with a cab the use of the top brace is optional but recommended.

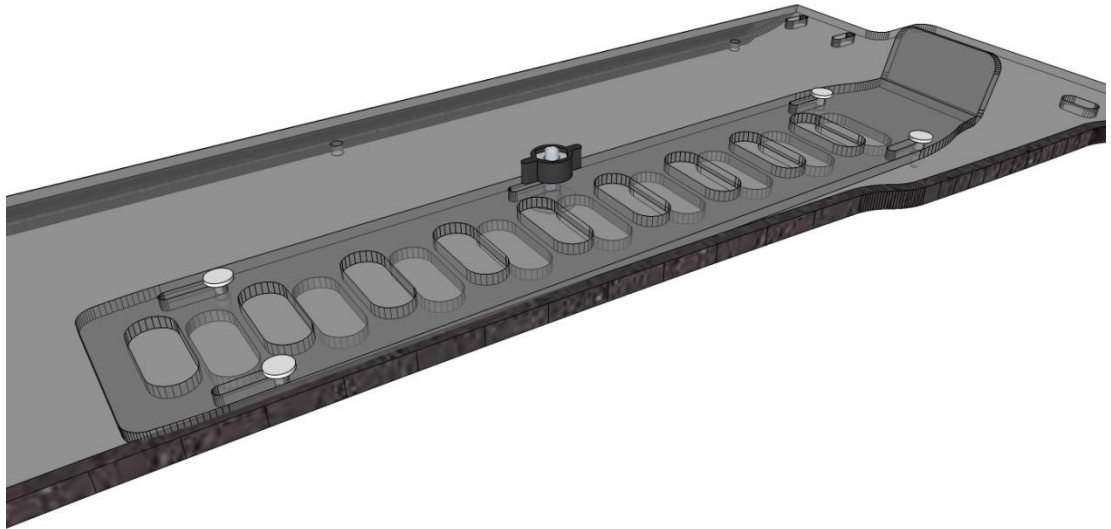
- Install top brace as shown in the diagram below:



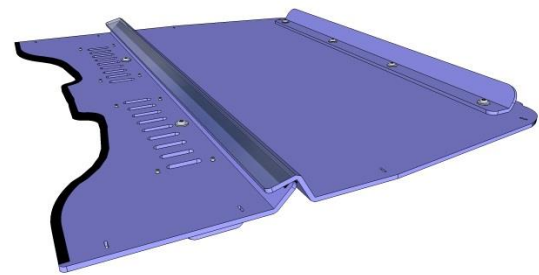
- Now move on to the bottom panel of the windshield
- Before attaching the bottom panel to the frame, install the Aero-Vent sliders.
- Start by installing a 1" bolt and washer into the thread inserts from outside in as shown in the diagram below.



- Next place the vent slider on the inside of the bottom panel with the 1" bolt protruding through the middle slot.
- Line up the four corner slots with the holes in the windshield panel and push the slide fasteners through the slots and into the hole.
- **NOTE: make sure the slider is in the correct position before installing slide fasteners since they are extremely difficult to remove once installed.**



- Next place the 58" gaskets along the bottom and top edges of the Windshield.
- Now place the bottom section under the top section so that the gasket along the top bent part is up into the bent part along the bottom of the top section.
- Attach the bottom section to the roll cage with two clamps on each side.



Return Policy

If for any reason you choose to return this product it must be returned within **30 days from date item is received**. You **MUST** package the product exactly **as it was originally packaged from the factory to get a full refund for the product!**

The vinyl windows should never be folded when packaging in the box or for storage purposes. Lay all the windows on top of each other with the canvas folded in between and the paper (if available) on both sides of the windows.

All returned products will be inspected upon arrival at the production facility and must be in unused, factory new condition to receive refund - a 25% restocking fee will apply.

If ordered from Over Armour Offroad please call at 606-845-7439 to gain a return authorization number, use our preferred shipping carrier (UPS) to return the item (unless the item is defective, you are responsible for paying the shipping to return the item.) **Any returns submitted to Over Armour Offroad without a return authorization number will be charged a 20% restocking fee.** If ordered from one of Over Armour Offroads many distributors', you must first call them and see what their return policy is. Once your item reaches our production facility, our customer satisfaction team will inspect your item to ensure unused, factory new condition. NOTE: All windshields must be returned with the original protective film intact and not removed. Do NOT REMOVE if you have any intentions of returning the item. Refund/ replacement of a windshield will only be processed on items with original protective film or if the windshield is defective.

Items must be properly packaged in the original shipping carton to protect them during transit and ensure your returned item arrives back factory fresh, and in new resalable condition (**any returned items that have been used, altered or damaged in any way will not be subject for a refund.**) All contents including instruction manuals, accessories, hardware, Velcro, etc. must be included in your return shipment. Only items in OEM factory new condition will be approved. Once returned items are received, credit will be issued to the original credit card/ payment method used for the purchase. Outbound shipping and return shipping cost will not be refunded. Please allow 4 to 6 weeks for your refund to be processed.

Warranty

To The Owner of this Product:

Thank you for purchasing one of Over Armour Offroad Cab Enclosures, Tops &/or Windshields!
Below are the terms under which your product is covered under our manufacturer's warranty.

30 Day Warranty which includes and is not limited to replacing the enclosure, tops and/or windshield due to defect of the product. Please refer to the return policy in this case for more information.

1 Year Warranty includes any defect in material or workmanship within this time frame we will gladly correct the problem or replace the enclosure, tops &/or windshield. Upon submitting for the correction or replacement we will need to receive pictures of the defect in material or workmanship along with the receipt from the date of purchase.

Thank you,

Over Armour Offroad
www.overarmouroffroad.com