

Mammoth Designs

5842 Morehead Rd. Flemingsburg, KY 41041

606-845-2227

Instructions for Installation and Care of

Kawasaki Mule 600/610

Aluminum Diamond Plate Roof

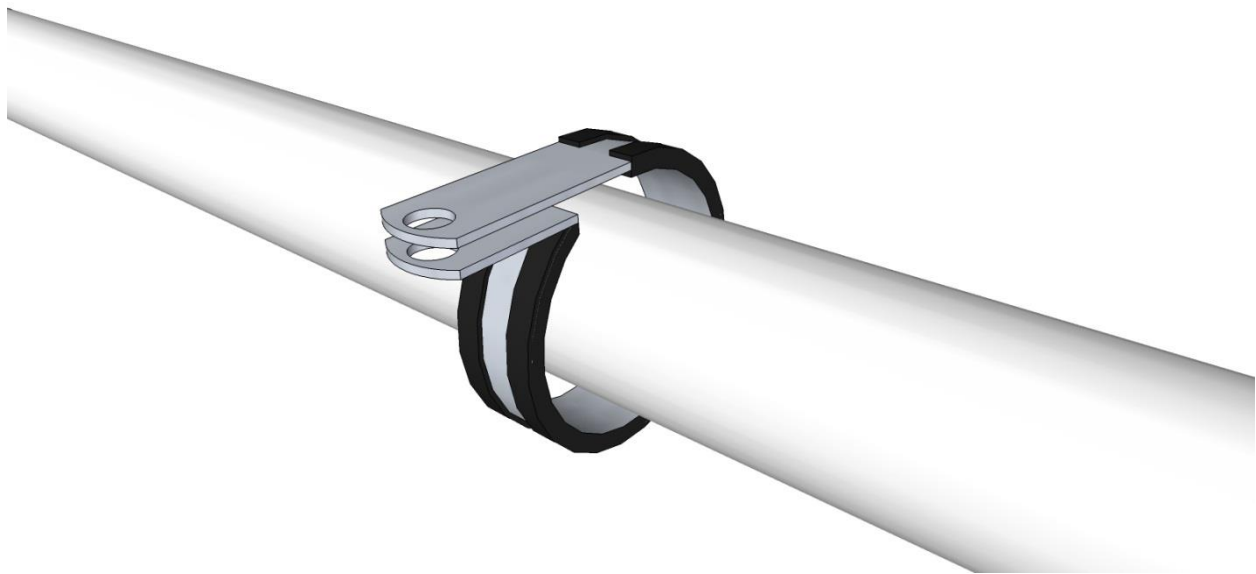
KAW-610-HT01

1. Be sure to read these instructions thoroughly before opening and installing the Big Iron Roof.

2. Check over the parts included in the cartons with the parts list shown below:

1 ¾" Loom Clamps	4 each
1" Stainless Steels Bolts	8 each
Large Washers	8 each
Small Washers	8 each
Rubber Washers	8 each
Lock Nuts	8 each
66" Rubber Edge Trim	1 each

3. Begin by taking the 4 loom clamps and wrapping 2 of them around the roll cage on both the front and back of the vehicle. Wrap them so that the flat side of the clamp is on top as shown in the photo below.

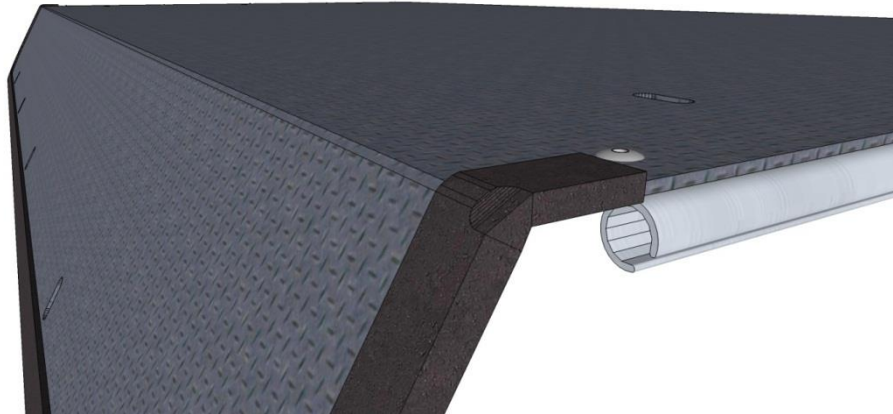


4. Before placing the roof on the vehicle take the 66" Rubber Edge Trim and place it around the front edge as shown in the photo below.

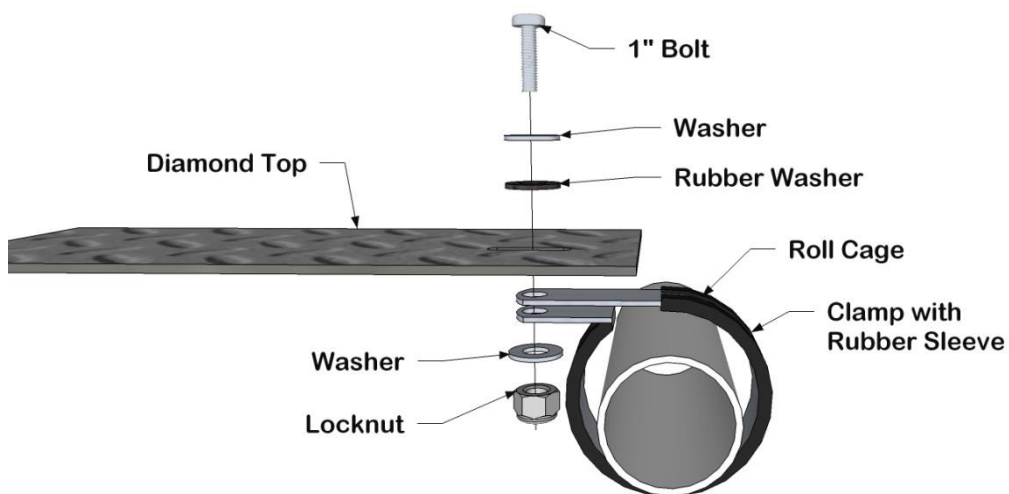


66" Rubber Edge Trim

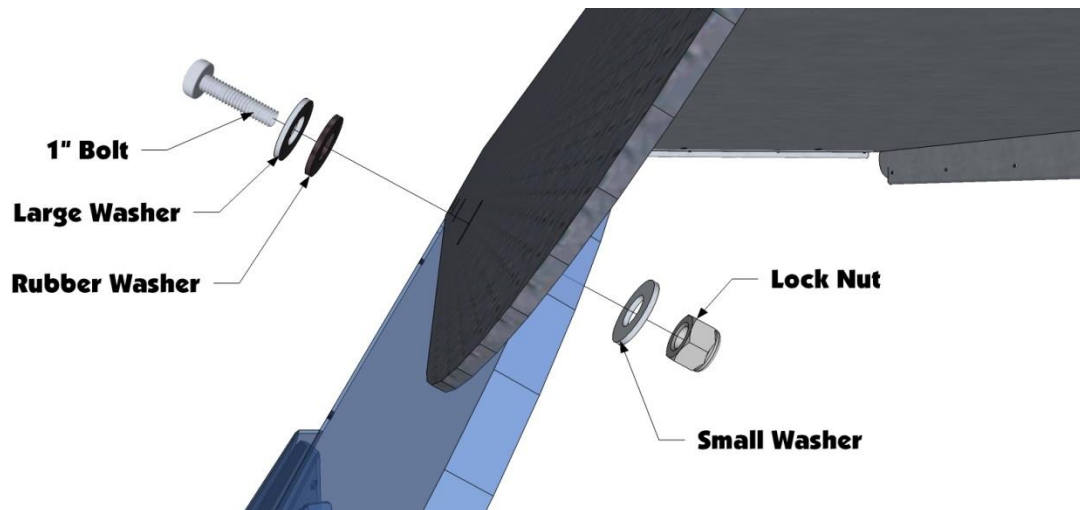
5. Run the edge trim from the channel on one side around to the channel on the other. See photo below.



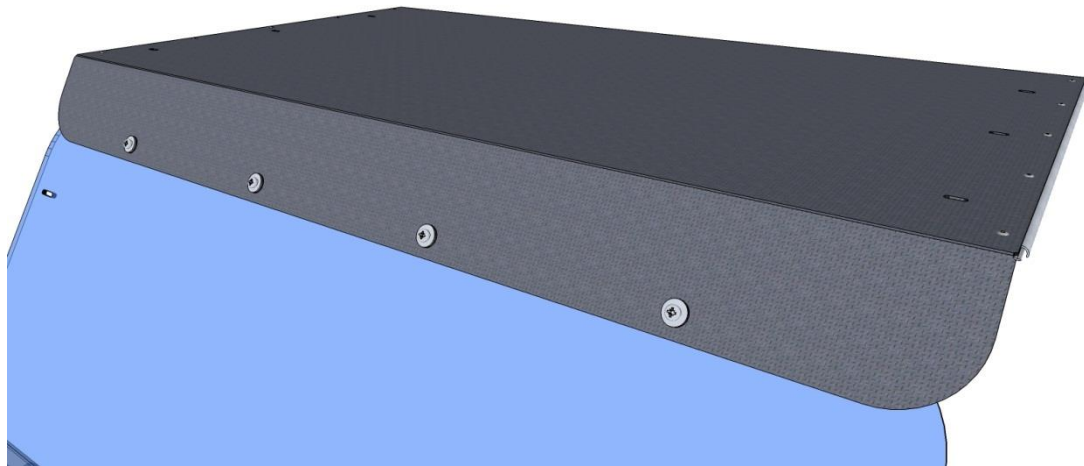
6. Now install the hardware as shown in the photo below. Do not tighten completely.



7. If you have a Mammoth Designs Windshield the two pieces are made to connect together using bolts. We suggest bolting the roof to the windshield before tightening down the clamps above. The photo below shows how the two pieces should be connected.



8. Make sure that the top and windshield are straight with each other. The bolt should fit in the middle of the slot on the roof. When together they should look like the photo below.



9. Now tighten the clamps holding the roof down and the installation is complete. The following photos show how everything should look. (610 Roof not shown)

