

Over Armour Offroad

2515 Bypass Rd. Flemingsburg, KY 41041
606-845-7439

Instructions for Installation and Care of

Kawasaki Teryx 16-17

Aero-Vent Lexan Windshield

KAW-16TERYX-WD05

2 PIECE

NOTICE: Please check contents of package for any damage and make sure all parts fit correctly and you are happy with the product before removing protective film. Once the film is removed you cannot return the product for a full refund.

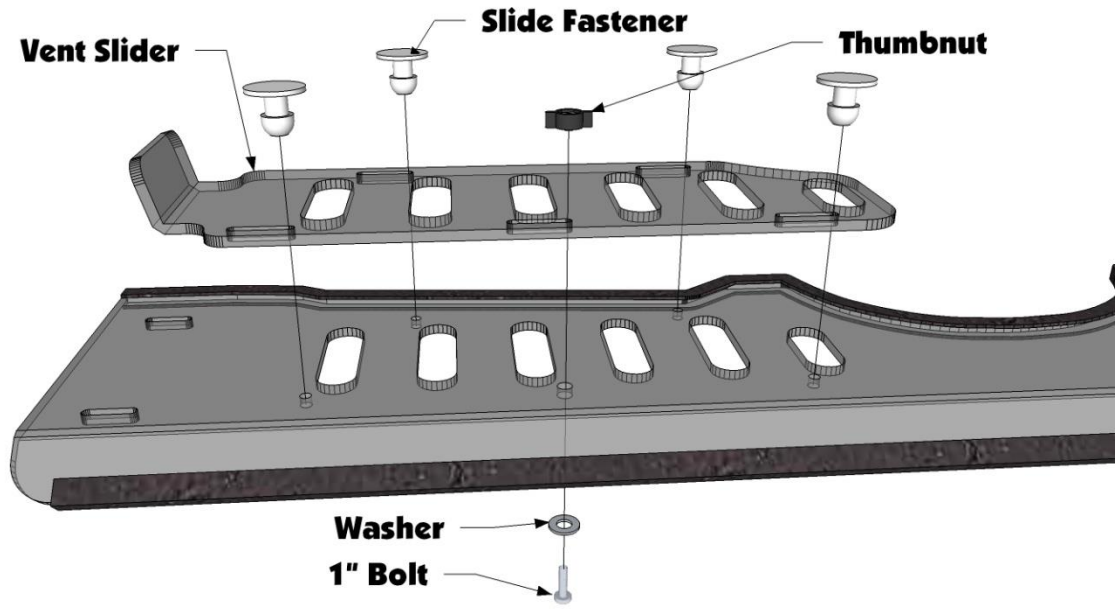
1. Check over the parts included in the carton with the parts list shown below:

Lexan Windshield

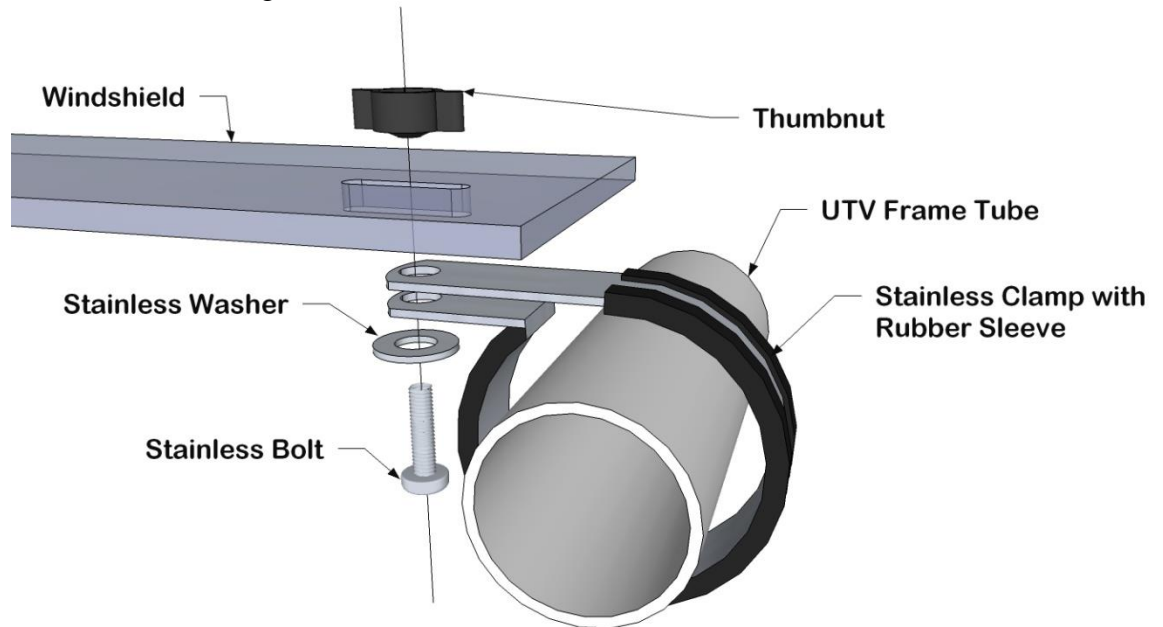
1-7/8" loom clamps	10 each
1" stainless steel bolts	17 each
Slide fasteners	8 each
Stainless Steel Washers	22 each
Thumb nuts	12 each
Lock Nuts	5 each
Rubber gasket, 54"	1 each
Rubber gasket, 59"	1 each
Lexan windshield braces	1 each
Sliding Vent Panel	2 each
Lexan windshield	2 pieces

2. Begin by pulling all the pieces out of the box and checking that all parts on the list above are present. Then take the bottom section of the windshield and peel the protective masking off of both sides. Install the two rubber gaskets on the top and bottom of the panel.

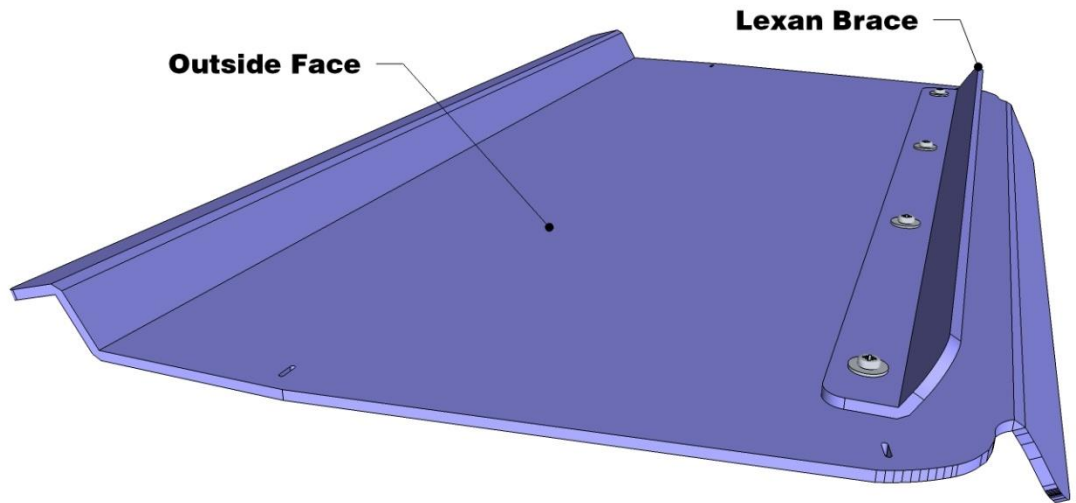
3. Next install the sliding vent panel to the bottom section as shown in the image below.



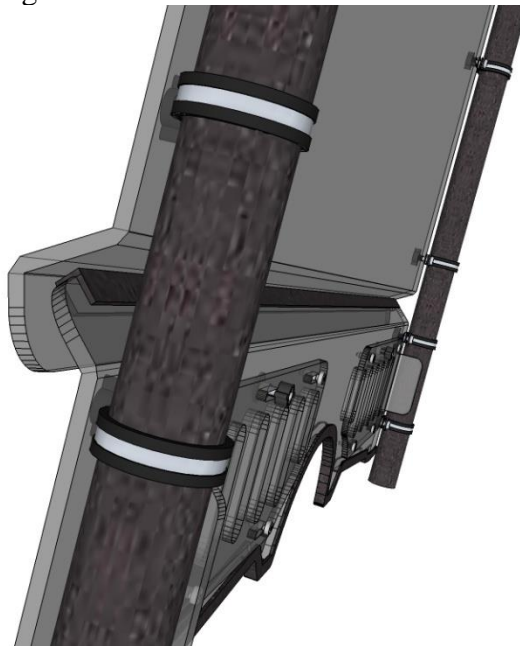
4. Now clamp the bottom section to the Teryx. The windshield should be clamped as shown in the image below.



5. Now move to the top section of the windshield and install the bent brace to the top of the windshield if needed. This brace is intended to be used to seal off the front of the cab enclosure that is manufactured by Mammoth Designs. If it interferes with any accessories that are installed on your vehicle please leave off. It should be installed as shown below.



6. Now Place the top section on the roll cage so that the top and bottom are mated together as shown in the image below.



7. Transporting or trailering your UTV with the windshield installed is not generally recommended. It is best to remove the windshield before transporting your UTV.

Thank You for your purchase!

Return Policy

If for any reason you choose to return this product it must be returned within **30 days from date item is received**. You **MUST** package the product exactly as it was **originally packaged from the factory to get a full refund for the product!**

The vinyl windows should never be folded when packaging in the box or for storage purposes. Lay all the windows on top of each other with the canvas folded in between and the paper (if available) on both sides of the windows.

All returned products will be inspected upon arrival at the production facility and must be in unused, factory new condition to receive refund - a 25% restocking fee will apply.

If ordered from Over Armour Offroad please call at 606-845-7439 to gain a return authorization number, use our preferred shipping carrier (UPS) to return the item (unless the item is defective, you are responsible for paying the shipping to return the item.) **Any returns submitted to Over Armour Offroad without a return authorization number will be charged a 20% restocking fee.** If ordered from one of Over Armour Offroads many distributors', you must first call them and see what their return policy is. Once your item reaches our production facility, our customer satisfaction team will inspect your item to ensure unused, factory new condition. **NOTE: All windshields must be returned with the original protective film intact and not removed. Do NOT REMOVE if you have any intentions of returning the item. Refund/ replacement of a windshield will only be processed on items with original protective film or if the windshield is defective.**

Items must be properly packaged in the original shipping carton to protect them during transit and ensure your returned item arrives back factory fresh, and in new resalable condition (**any returned items that have been used, altered or damaged in any way will not be subject for a refund.**) All contents including instruction manuals, accessories, hardware, Velcro, etc. must be included in your return shipment. Only items in OEM factory new condition will be approved. Once returned items are received, credit will be issued to the original credit card/ payment method used for the purchase. Outbound shipping and return shipping cost will not be refunded. Please allow 4 to 6 weeks for your refund to be processed.

Warranty

To The Owner of this Product:

Thank you for purchasing one of Over Armour Offroad Cab Enclosures, Tops &/or Windshields! Below are the terms under which your product is covered under our manufacturer's warranty.

30 Day Warranty which includes and is not limited to replacing the enclosure, tops and/or windshield due to defect of the product. Please refer to the return policy in this case for more information.

1 Year Warranty includes any defect in material or workmanship within this time frame we will gladly correct the problem or replace the enclosure, tops &/or windshield. Upon submitting for the correction or replacement we will need to receive pictures of the defect in material or workmanship along with the receipt from the date of purchase.