

# Over Armour Offroad

2515 Bypass Rd. Flemingsburg, KY 41041  
606-845-7439

## Instructions for Installation and Care of John Deere HPX / XUV

### Aero-Vent Lexan Windshield

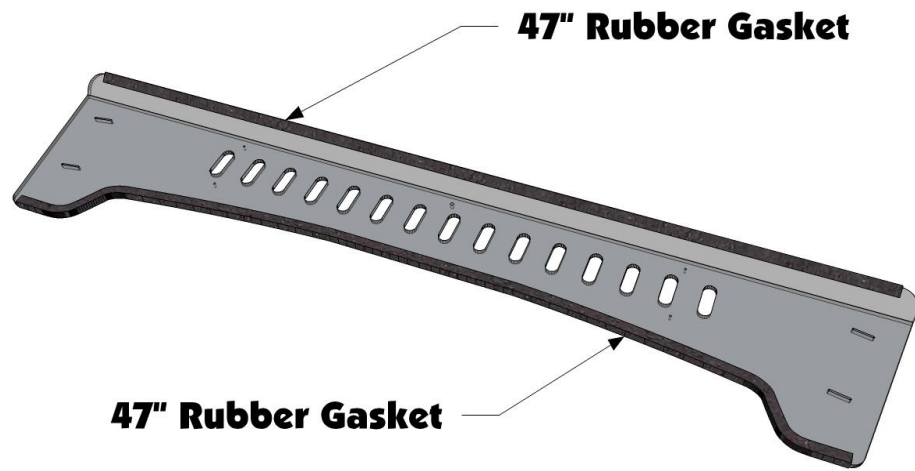
JD-XUV-WD05/ JD-XUV25-WD05

**NOTICE: Please check contents of package for any damage and make sure all parts fit correctly and you are happy with the product before removing protective film. Once the film is removed you cannot return the product for a full refund.**

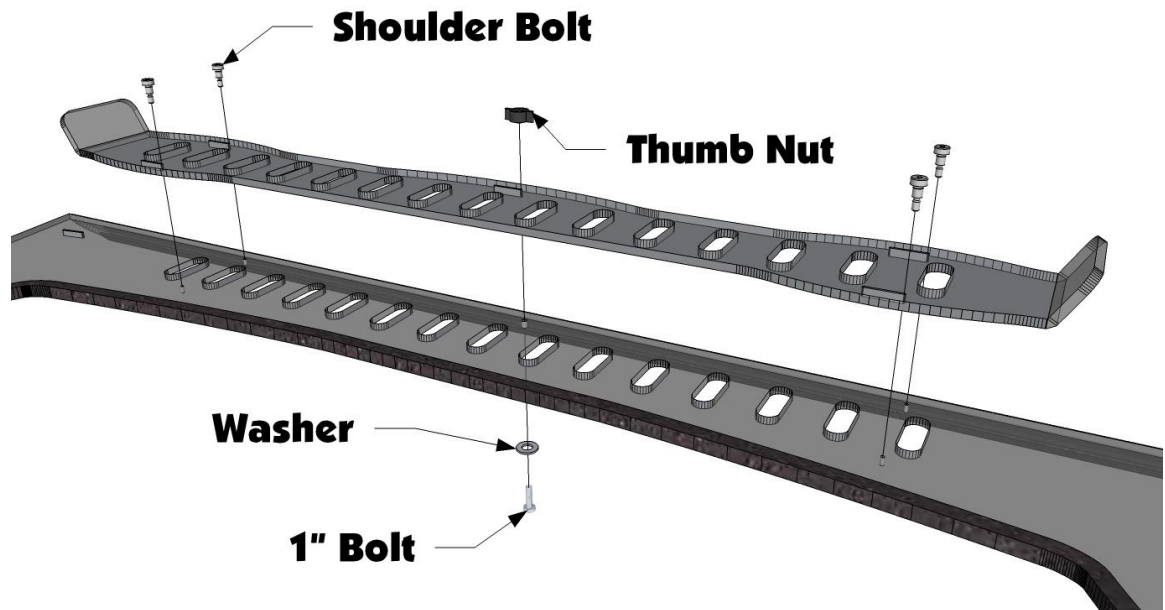
1. Check over the parts included in the carton with the parts list shown below:

1 ¾" Loom Clamps	10 each
Thumbnuts	11 each
1" Stainless steel bolts	15 each
Stainless Steel Washers	19 each
Lock Nuts	4 each
Slide fasteners	4 each
47" Rubber Gasket	2 each
Lexan Bent Brace	1 each
Lexan Vent Slider	1 each
Lexan windshield	2 pieces

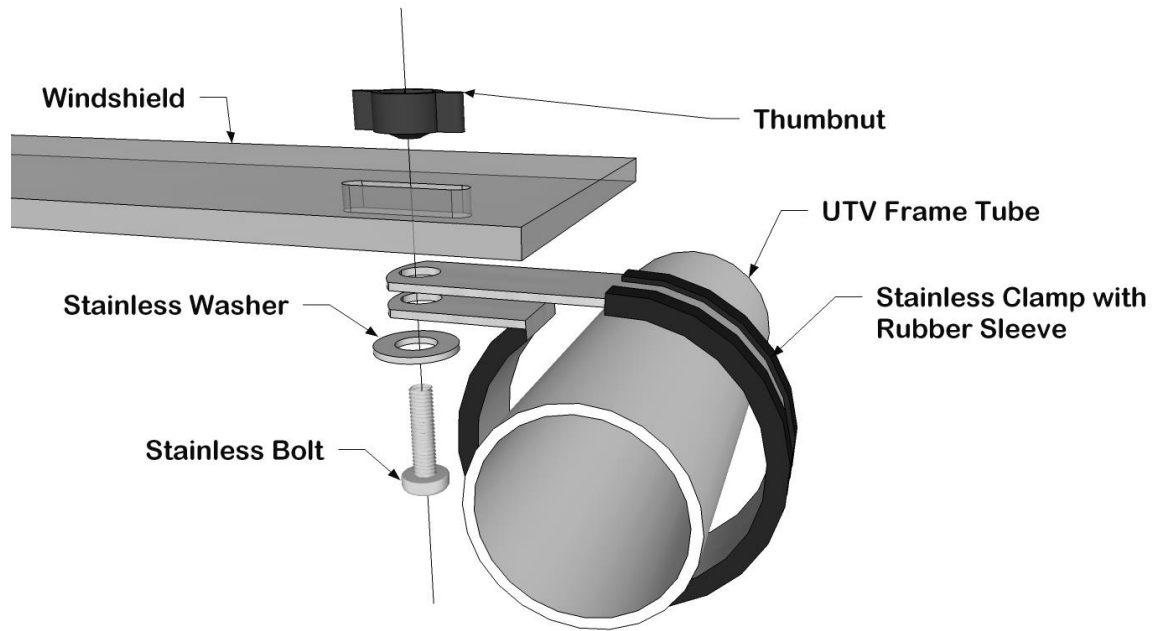
2. Pull the windshield and all of the hardware out of the box. Begin by peeling back the protective film(both sides) from all bolt slot areas and 1" or so from the hood contour (gasket area). This will allow installation with most of the protective film in place to avoid scratching the windshield during handling.
3. Now find the rubber gasket provided; center it and install along the bottom hood contour and the top straight edge of the lower windshield. Ensure that the gasket is *fully seated* to the contour, by pressing it fully home at all contour points. See Diagram Below.



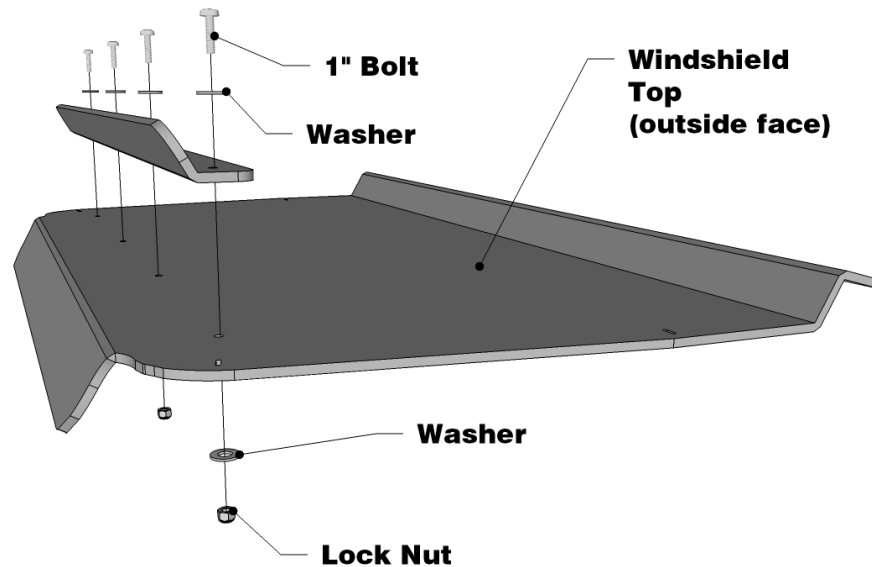
4. Peel the masking off of the Vent Slider.
5. Next Install the vent slider on the inside face of the bottom section of the windshield. See Diagram Below.



6. Now you are ready to place the windshield on the vehicle. With assistance, place the upper windshield on the frame. Wrap the clamps provided around the steel frame tubing at all slot locations. Now place the bolts and washers through the slots with washers on the inside of the windshield on top of the clamps. Run the bolts through the clamps on the backside, and install a thumbnut on the outside of the windshield to secure. Repeat with the lower windshield. See Diagram Below.



- Now you can install the Bent Lexan Brace on the outside of the windshield along the top. This piece is optional to install if you are installing the windshield as a standalone item. It is designed to seal the cab when the windshield is mated with one of Mammoth Designs Cab Enclosures. Please see the diagram below for installation.



- Peel the remaining protective film from the windshield and enjoy. Remember-when cleaning the windshield do so gently at first with warm water and mild detergent to dislodge any grit that may scratch the Lexan. After rinsing and drying with a soft cloth, you may then polish the windshield with an appropriate commercially available plastic polish, also available from Over Armour. This will ensure many seasons of clarity and keep scratching and swirling to a minimum. Never use cleaners such as Windex that contain ammonia as doing so may adversely affect the windshield.

9. If needed, additional gaskets are available, as well as other spare parts and hardware. Contact Over Armour for information.
10. Transporting or trailering your UTV with the windshield installed is not generally recommended. It is best to remove the windshield before transporting your UTV.

**Thank You For Your Purchase!**

## **Return Policy**

If for any reason you choose to return this product it must be returned within **30 days from date item is received**. You **MUST** package the product exactly as it was **originally packaged from the factory to get a full refund for the product!**

The vinyl windows should never be folded when packaging in the box or for storage purposes. Lay all the windows on top of each other with the canvas folded in between and the paper (if available) on both sides of the windows.

**All returned products will be inspected upon arrival at the production facility and must be in unused, factory new condition to receive refund - a 25% restocking fee will apply.**

If ordered from Over Armour Offroad please call at 606-845-7439 to gain a return authorization number, use our preferred shipping carrier (UPS) to return the item (unless the item is defective, you are responsible for paying the shipping to return the item.) **Any returns submitted to Over Armour Offroad without a return authorization number will be charged a 20% restocking fee.** If ordered from one of Over Armour Offroads many distributors', you must first call them and see what their return policy is. Once your item reaches our production facility, our customer satisfaction team will inspect your item to ensure unused, factory new condition. **NOTE: All windshields must be returned with the original protective film intact and not removed. Do NOT REMOVE if you have any intentions of returning the item. Refund/ replacement of a windshield will only be processed on items with original protective film or if the windshield is defective.**

Items must be properly packaged in the original shipping carton to protect them during transit and ensure your returned item arrives back factory fresh, and in new resalable condition (**any returned items that have been used, altered or damaged in any way will not be subject for a refund.**) All contents including instruction manuals, accessories, hardware, Velcro, etc. must be included in your return shipment. Only items in OEM factory new condition will be approved. Once returned items are received, credit will be issued to the original credit card/ payment method used for the purchase. Outbound shipping and return shipping cost will not be refunded. Please allow 4 to 6 weeks for your refund to be processed.

# Warranty

To The Owner of this Product:

Thank you for purchasing one of Over Armour Offroad Cab Enclosures, Tops &/or Windshields! Below are the terms under which your product is covered under our manufacturer's warranty.

30 Day Warranty which includes and is not limited to replacing the enclosure, tops and/or windshield due to defect of the product. Please refer to the return policy in this case for more information.

1 Year Warranty includes any defect in material or workmanship within this time frame we will gladly correct the problem or replace the enclosure, tops &/or windshield. Upon submitting for the correction or replacement we will need to receive pictures of the defect in material or workmanship along with the receipt from the date of purchase.

Thank you,

Over Armour Offroad

[www.overarmouroffroad.com](http://www.overarmouroffroad.com)