

# Over Armour Offroad

2515 Bypass Rd. Flemingsburg, KY 41041

606-845-7439

## Instructions for Installation and Care of

### Husqvarna 4421 XL

### Soft Door Kit

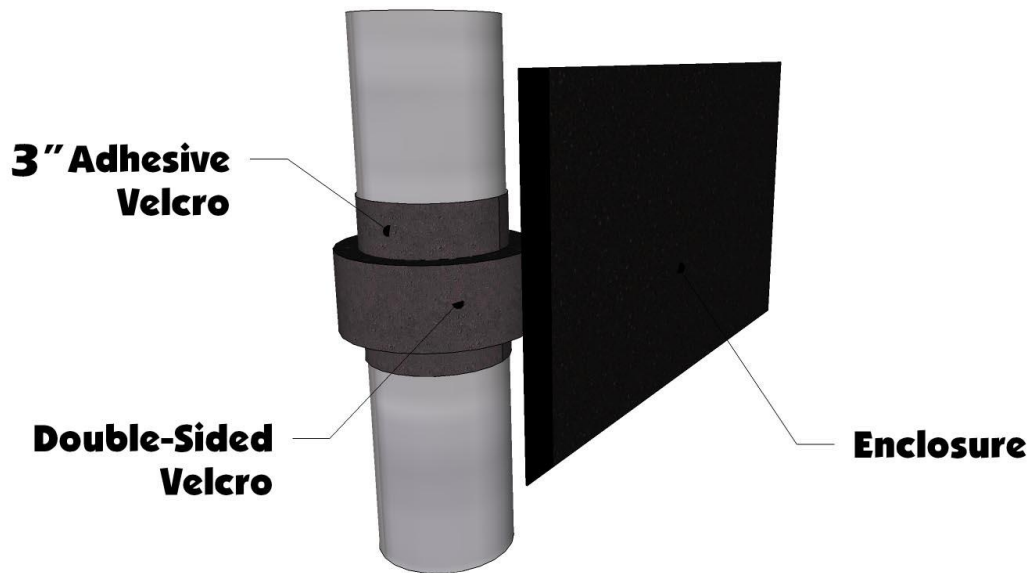
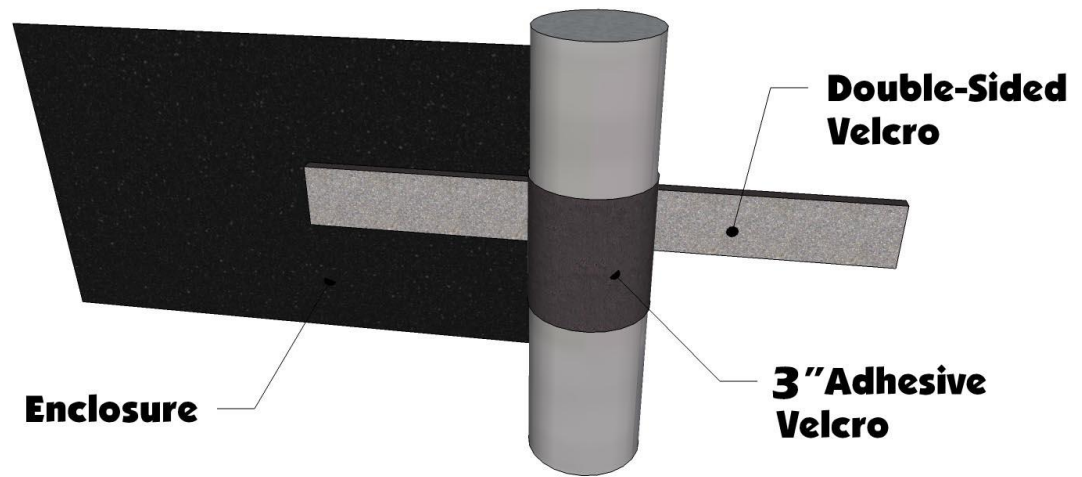
**Notice: Do not smoke inside the cab or expose the enclosure to direct flames. Cab is Flammable.**

1. Be sure to read these instructions thoroughly before opening and installing the Husqvarna Enclosure. The installation is best done when the temperature is 70 degrees F. or warmer. This is to allow the Velcro to stick to the roll cage better, if you must install outside in the cold it will help to warm the Velcro inside at room temp. until ready to install.
2. Carefully open the carton and remove the rolled up Cab Enclosure on a large flat surface that is clean and free of dirt or other material that may soil or scratch the windows of the Cab.
3. Check over the parts included in the carton with the parts list shown below:

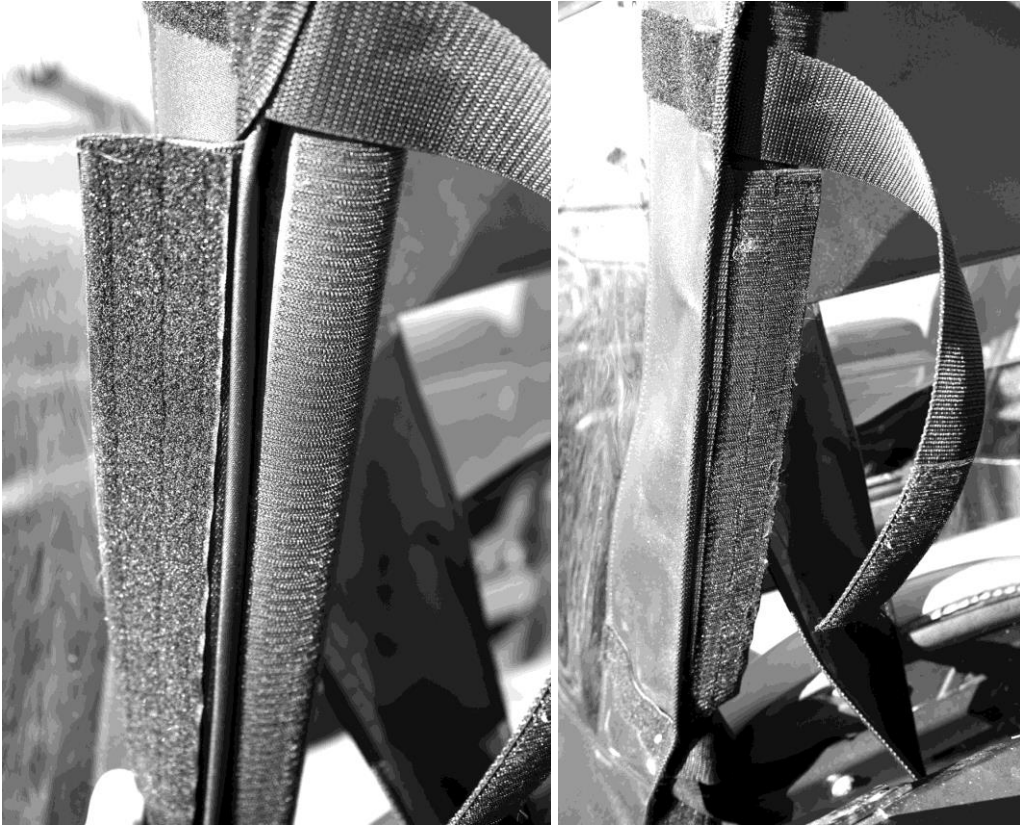
Velcro Hook strips:	32 each	3” long
“ “ “	2 each	9” long
“ “ “	2 each	15” long
“ “ “	2 each	16” long
Snap studs	16 each (2 extra)	
Soft Doors	2 each	
4. Begin by placing the two 40” adhesive strips on the rear bars facing the rear of the vehicle. Start at the bottom and work your way up the bar. See Photo Below.



5. Hold the door up to the frame and using the 3" adhesive strips at each of the locations that a double-sided Velcro strip is sewn to the outside edges of the door. See Diagrams Below.



6. Once all these are in place attach the two double-sided tabs down the back of the door to the 40" strips.



7. Next place the 12" on the side of the vehicle to match up with the Velcro sewn along the bottom of the front part of the door as shown in the photos below.





8. Finally take the snap studs and install them in the vehicle to match up with the snaps in the doors. It makes it easier to set the screw studs into the sockets in the door first, then push the screw into the plastic to mark where to put it. Then pull the screw stud back out and install it into the plastic making sure not to over tighten and strip out the plastic.



#### Cleaning and Storage Recommendations:

1. Before removing the Over Armour Cab for storage, make sure it is very clean in order to prevent scratching of the window panels. Clean with a soft rag or sponge using a mild liquid detergent soap and warm water solution. Never rub the windows with a dry cloth or rag! Let the Cab dry thoroughly before attempting to roll for storage.
2. It is important that the Cab be rolled up for storage rather than folding. Folding will cause damage to the windows!!! Carefully roll up the Cab similar to the way it was when it was packed at the factory. On a large, clean and flat surface, fold the doors over the rear panel first, then, interleave the top and windshield on top of the doors. Begin rolling the Cab into a roll approximately 8 inches in diameter. Put the rolled Cab back into the carton for storage at a normal room temperature. It is best not to expose the Cab to either extreme hot or cold temperatures when storing.
3. A special cleaner conditioner is available from Over Armour that will greatly increase the service life of the Cab Enclosure. In addition, if additional hook and loop sets are needed, they can also be ordered.

**Over Armour Offroad**  
**2515 Bypass Rd, Flemingsburg, KY 41041**  
**Phone: 606-845-7439 or 606-748-5136**

If for any reason you choose to return this product it must be returned within **30 days from date item is received**. You **MUST** package the product exactly as it was originally packaged from the factory to get a full refund for the product! The vinyl windows should never be folded when packaging in the box or for storage purposes. Lay all the windows on top of each other with the canvas folded in between and the paper (if available) on both sides of the windows.

**All returned products will be inspected upon arrival at the production facility and must be in unused, factory new condition to receive refund - a 25% restocking fee will apply.**

If ordered from Over Armour Offroad please call at 606-845-7439 to gain a return authorization number, use our preferred shipping carrier (UPS) to return the item (unless the item is defective, you are responsible for paying the shipping to return the item.) **Any returns submitted to Over Armour Offroad without a return authorization number will be charged a 20% restocking fee.** If ordered from one of Over Armour Offroad many distributors', you must first call them and see what their return policy is. Once your item reaches our production facility, our customer satisfaction team will inspect your item to ensure unused, factory new condition. **NOTE: All Lexan windshields must be returned with the original protective film intact and not removed. Do NOT REMOVE if you have any intentions of returning the item. Refund/ replacement on lexan windshields will only be processed on items with original protective film or if the windshield is defective.**

Items must be properly packaged in the original shipping carton to protect them during transit and ensure your returned item arrives back factory fresh, and in new resalable condition (**any returned items that have been used, altered or damaged in any way will not be subject for a refund.**) All contents including instruction manuals, accessories, hardware, Velcro, etc. must be included in your return shipment. Only items in OEM factory new condition will be approved. Once returned items are received, credit will be issued to the original credit card/ payment method used for the purchase. Outbound shipping and return shipping cost will not be refunded. Please allow 4 to 6 weeks for your refund to be processed.

## Warranty

To The Owner of this Product:

Thank you for purchasing one of Over Armour Offroad Cab Enclosures, Tops &/or Windshields!  
Below are the terms under which your product is covered under our manufacturer's warranty.

30 Day Warranty which includes and is not limited to replacing the enclosure, tops and/or windshield due to defect of the product. Please refer to the return policy in this case for more information.

1 Year Warranty includes any defect in material or workmanship within this time frame we will gladly correct the problem or replace the enclosure, tops &/or windshield. Upon submitting for the correction or replacement we will need to receive pictures of the defect in material or workmanship along with the receipt from the date of purchase.

Thank you,

Over Armour Offroad  
[www.overarmouroffroad.com](http://www.overarmouroffroad.com)