

# Over Armour Offroad

2515 Bypass Rd. Flemingsburg, KY 41041  
606-845-7439

**Instructions for Installation and Care of**  
**Honda Talon**  
**Aero-Vent Poly Rear Window**  
HO-TALON-RW03

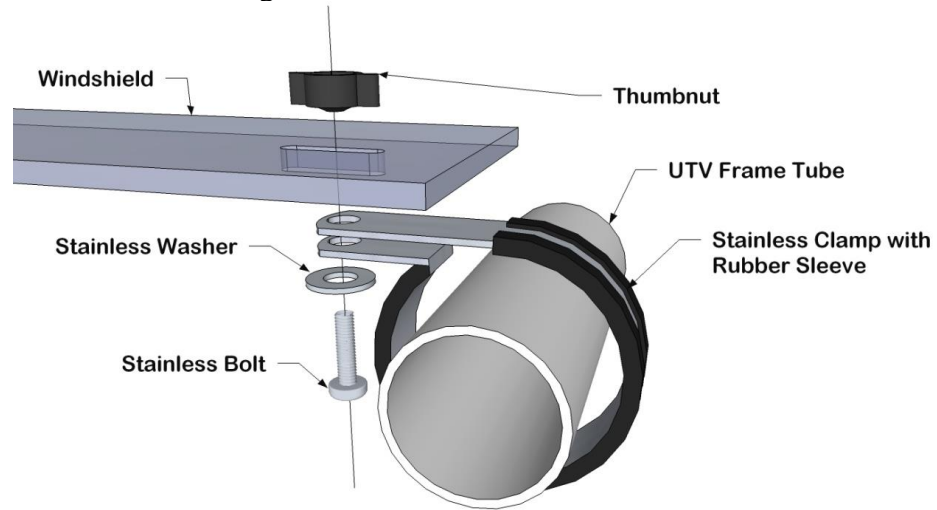
**Notice: Do not smoke inside the cab or expose the enclosure to direct flames. Cab is Flammable.**

1. Be sure to read these instructions thoroughly before opening and installing the Honda Talon Aero-Vent Rear Window.
2. Check over the parts included in the carton with the parts list shown below:

1" Bolts	6 each
2" Bolt	1 each
2" Loom Clamps	4 each
1 ¼" Black Nylon Spacer	1 each
1 ½" Loom Clamps	2 each
Small Washers	6 each
Lock Nuts	1 each
Slide Fasteners	5 each
Thumb Nuts	6 each
3. Begin by peeling the protective film from both sides of the Rear Window and vent slider. Then proceed to install the vent slider on the inside surface.
4. Take the 2" Bolt, Black Nylon spacer and locknut and install it on either side of the vent slider. Slide the spacer over the bolt and then put the bolt in the hole at the top middle of the vent slider. Then screw the lock nut on the other side and tighten it down
5. Next place the slider on the inside surface of the rear window so that the lock nut is in the large slot. Then install the 5 slide fasteners through the slots of the slider panel and into the small holes in the rear window. Should look like picture below when finished



6. From the side install the Rear Window through the rear down bars and get it in place so that it sits flush up against the outside of the roll cage.
7. Down the sides of the Rear Window are two slots. Using the 2" loom clamps attach the window as shown in the diagram below.



8. Along the bottom use the two 1 1/2" clamps the attach the rear window as you did along the sides. The following pictures show where all the clamps go.





9. This concludes your installation. Enjoy!!