

Over Armour Offroad

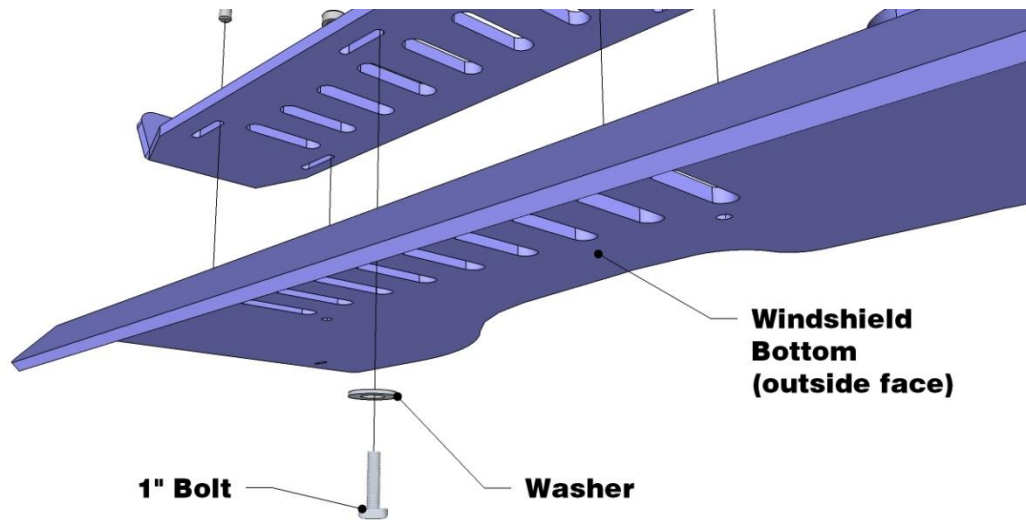
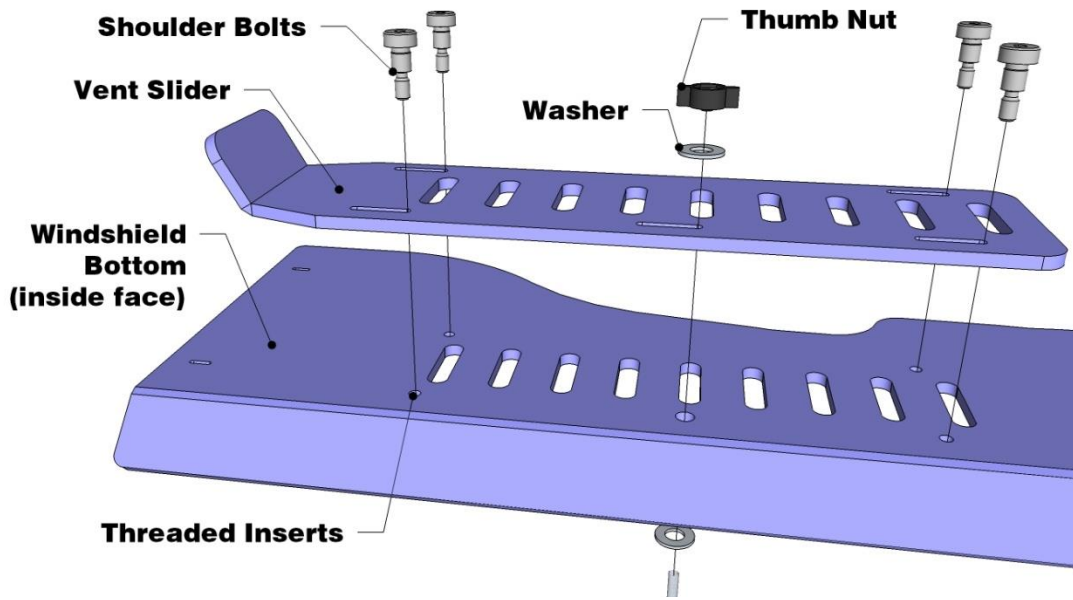
2515 Bypass Rd. Flemingsburg, KY 41041
606-845-7439

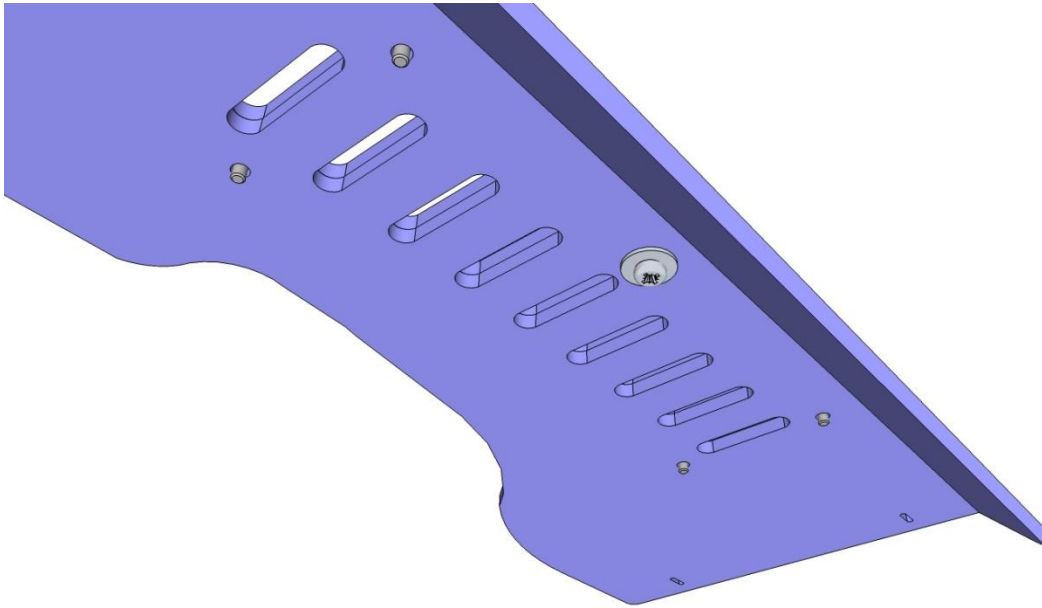
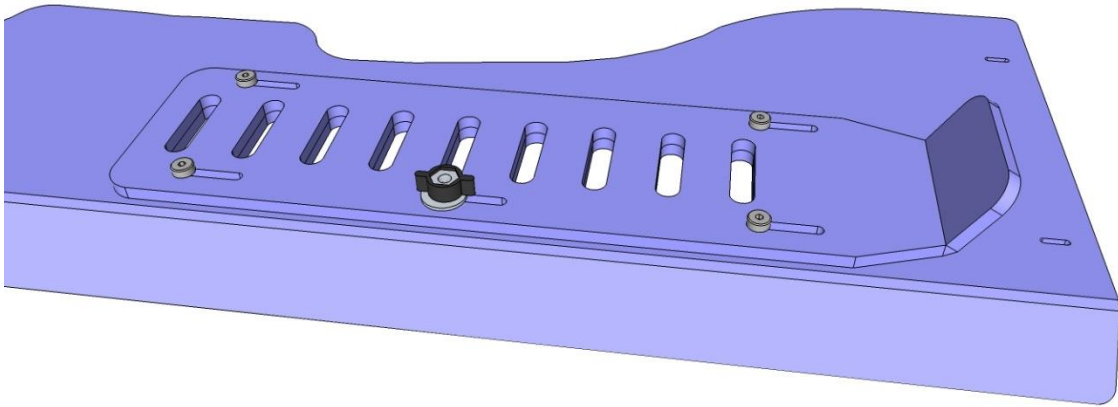
Instructions for Installation and Care of
Honda Big Red
2-Piece Vented Polycarbonate Windshield
HO-BIGRED-WD05

1. Check over the parts included in the carton with the parts list shown below:

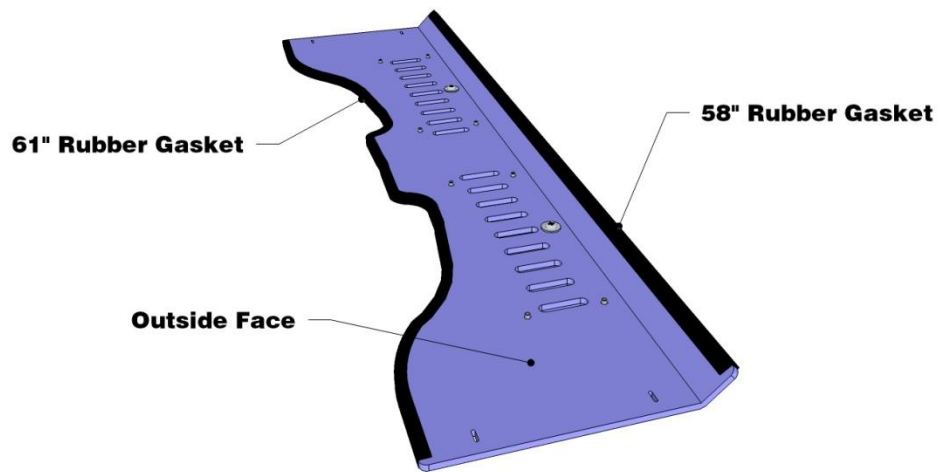
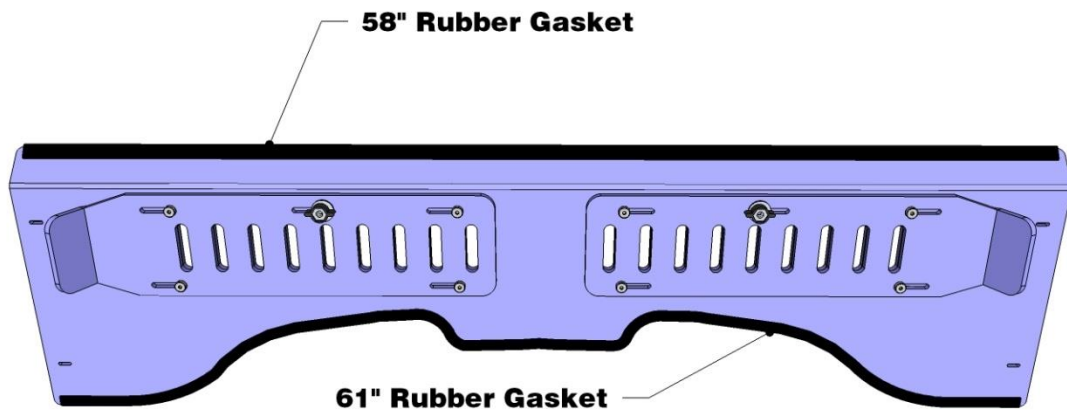
1-5/8" loom clamps	8 each
1" stainless steel bolts	14 each
Stainless steel Washers	20 each
Stainless steel lock nuts	4 each
Plastic Thumb nuts	10 each
61" rubber gasket	1 each
58" rubber gasket	1 each
Bent Polycarbonate Brace	1 each
Vent Sliders	2 each
Polycarbonate windshield	2 pieces
Slide Fasteners	8 each

2. Pull the windshield and all of the hardware out of the box. Be sure to test fit the windshield before removing protective film to be sure that you have no problems working with other accessories. **Once film has been removed you cannot return the product.**
3. After you have tested the product for proper fit, begin referring to the following diagrams to install your windshield.
4. Begin with the bottom section and install the sliding vents and rubber gaskets as shown below:

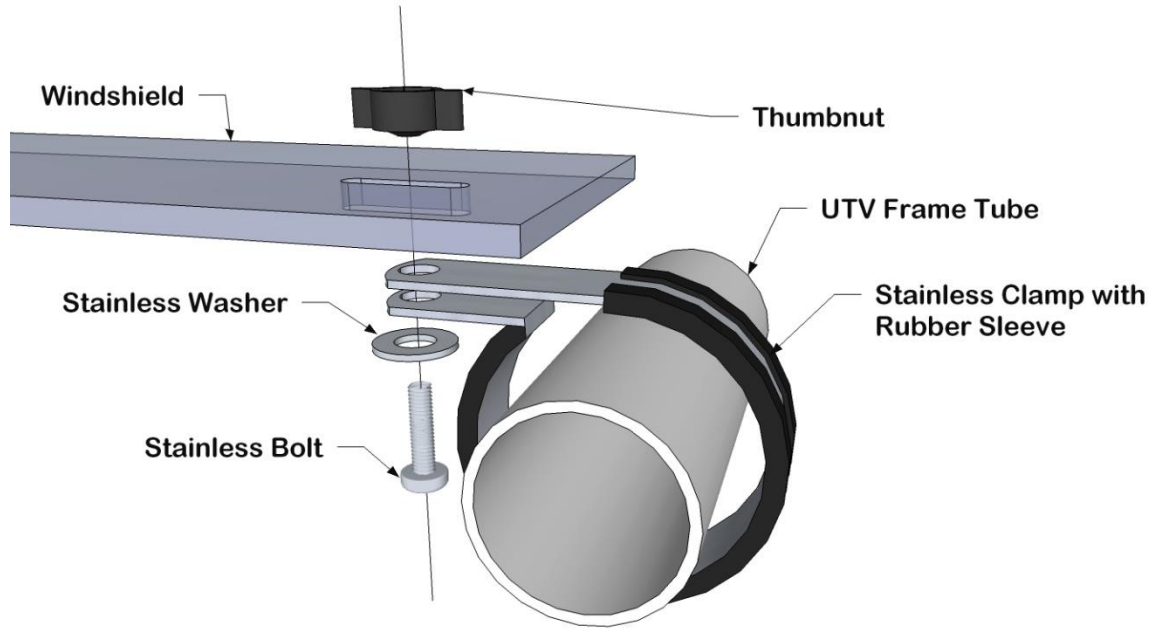




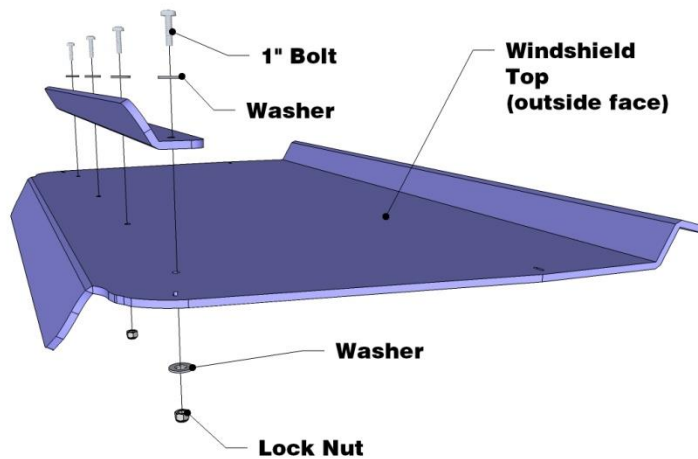
5. Now take the 61” and 58” rubber gaskets provided and install it along the top and bottom of the lower windshield section. Take care to seat the gasket fully to the bottom edge contour. Refer to diagram below:

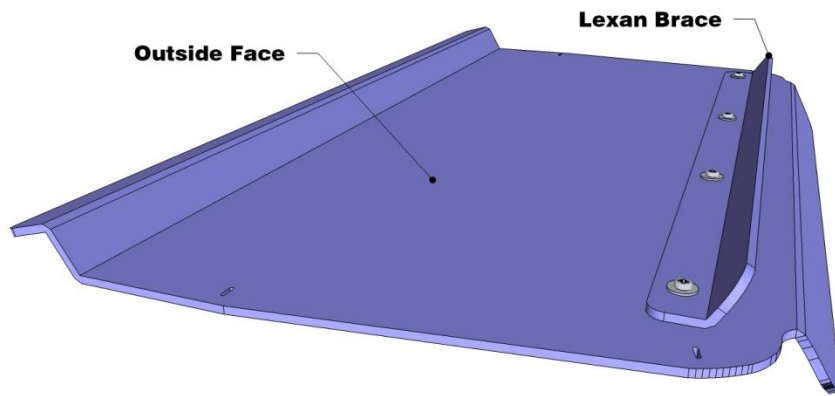


6. Now your bottom section is ready and may be installed on the Big Red using the 1 5/8" Clamps, 1" Bolts, Washer and Plastic Thumb Nut as shown in the diagram below:

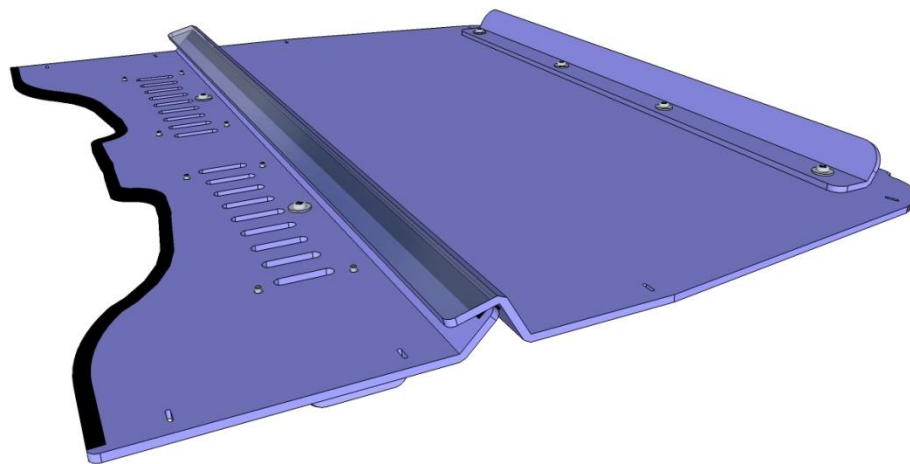


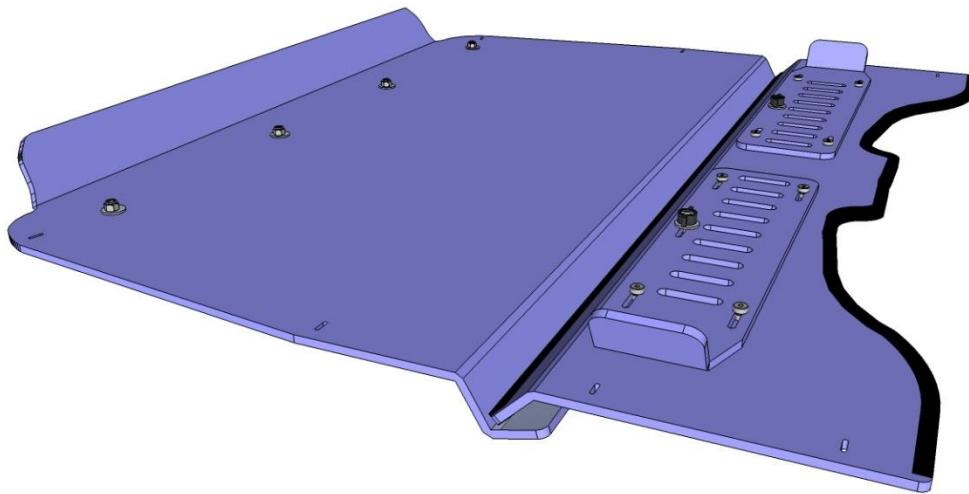
7. Now place the top brace on the windshield as shown on the next page. **Note: If using the windshield with an Over Armour Offroad cab enclosure wait to install the brace until the cab has been installed as this piece is meant to sandwich the front visor of the cab to seal it.**





8. Now attach the top section of the windshield to the roll cage using the same method as the lower section. The diagrams below show how the two sections should look when together.





9. Enjoy, and remember- when cleaning the windshield do so gently at first with warm water and mild detergent to dislodge any grit that may scratch the Polycarbonate. After rinsing and drying with a soft cloth, you may then polish the windshield with an appropriate commercially available plastic polish, also available from Over Armour Offroad. This will ensure many seasons of clarity and keep scratching and swirling to a minimum. Never use cleaners such as Windex that contain ammonia as doing so may adversely affect the windshield.
10. If needed, additional Velcro sets are available, as well as other spare parts and hardware. Contact Over Armour Offroad for information.
11. Transporting or trailering your UTV with the windshield installed is not generally recommended. It is best to remove the windshield before transporting your UTV.

Return Policy

Over Armour Offroad

2515 Bypass Rd, Flemingsburg, KY 41041
Phone: 606-845-7439

If for any reason you choose to return this product it must be returned within **30 days from date item is received**. You **MUST** package the product exactly as it was **originally packaged from the factory to get a full refund for the product!**

The vinyl windows should never be folded when packaging in the box or for storage purposes. Lay all the windows on top of each other with the canvas folded in between and the paper (if available) on both sides of the windows.

All returned products will be inspected upon arrival at the production facility and must be in unused, factory new condition to receive refund - a 20% restocking fee will apply.

If ordered from Over Armour Offroad please call at 606-845-7439 to gain a return authorization number, use our preferred shipping carrier (UPS) to return the item (unless the item is defective, you are responsible for paying the shipping to return the item.) **Any returns submitted to Over Armour Offroad without a return authorization number will be charged a 20% restocking fee.** If ordered from one of Over Armour Offroads many distributors', you must first call them and see what their return policy is. Once your item reaches our production facility, our customer satisfaction team will inspect your item to ensure unused, factory new condition. **NOTE: All windshields must be returned with the original protective film intact and not removed. Do NOT REMOVE if you have any intentions of returning the item. Refund/ replacement of a windshield will only be processed on items with original protective film or if the windshield is defective.**

Items must be properly packaged in the original shipping carton to protect them during transit and ensure your returned item arrives back factory fresh, and in new resalable condition (**any returned items that have been used, altered or damaged in any way will not be subject for a refund.**) All contents including instruction manuals, accessories, hardware, Velcro, etc. must be included in your return shipment. Only items in OEM factory new condition will be approved. Once returned items are received, credit will be issued to the original credit card/ payment method used for the purchase. Outbound shipping and return shipping cost will not be refunded. Please allow 4 to 6 weeks for your refund to be processed.

Warranty

Over Armour Offroad

2515 Bypass Rd, Flemingsburg, KY 41041
Phone: 606-845-7439

To The Owner of this Product:

Thank you for purchasing one of Over Armour Offroad Cab Enclosures &/or Windshields! Below are the terms under which your product is covered under our manufacturer's warranty.

30 Day Warranty which includes and is not limited to replacing the enclosure and/or windshield due to defect of the product. Please refer to the return policy in this case for more information.

1 Year Warranty includes any defect in material or workmanship within this time frame we will gladly correct the problem or replace the enclosure &/or windshield. Upon submitting for the correction or replacement we will need to receive pictures of the defect in material or workmanship along with the receipt from the date of purchase.

Thank you,

Darren Royse
Owner/Operator

www.overarmouroffroad.com