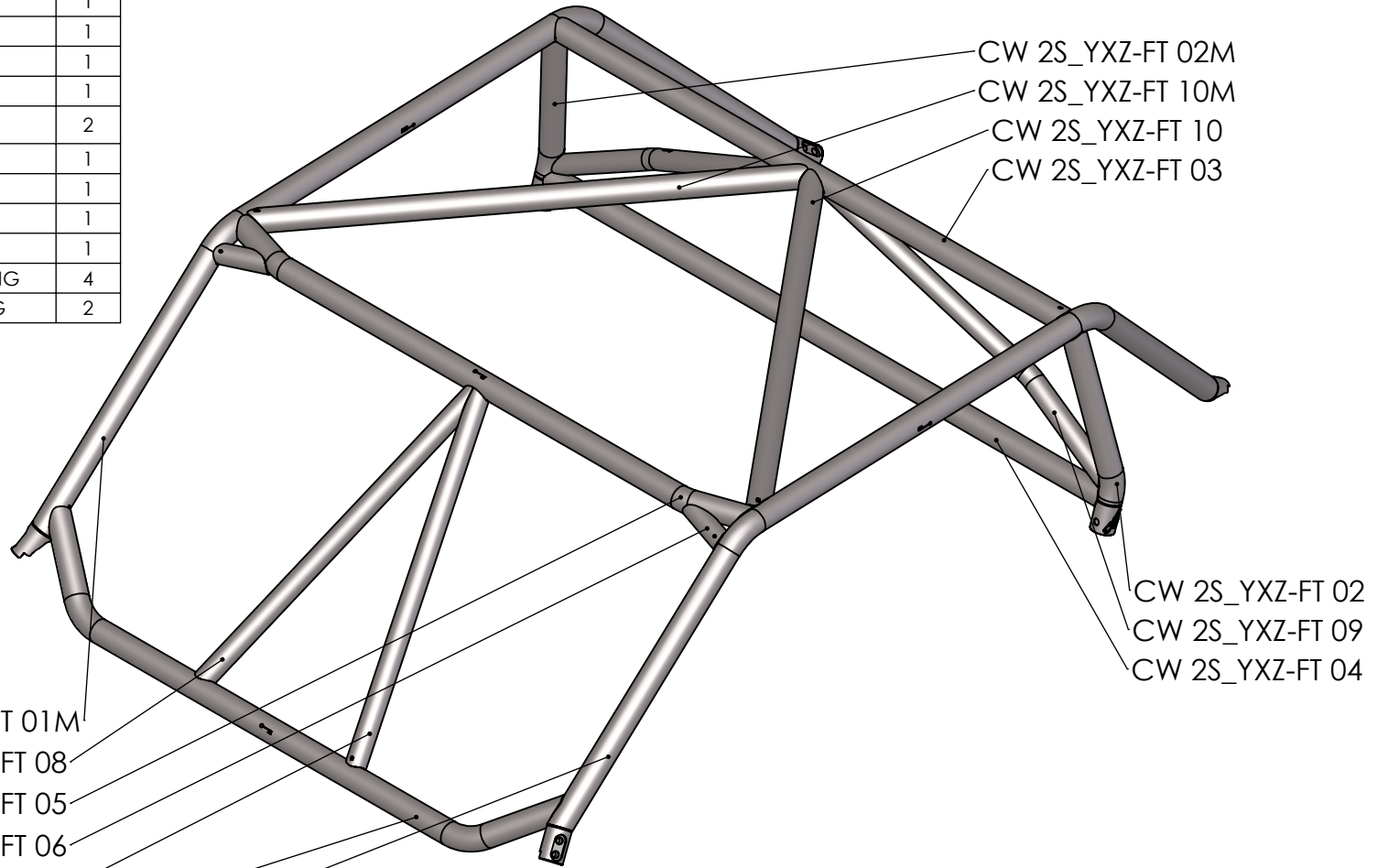


PART NUMBER	DESCRIPTION	QTY.
CW 2S_YXZ-FT 01	1.750 X .095 Wall	1
CW 2S_YXZ-FT 01M	1.750 X .095 Wall	1
CW 2S_YXZ-FT 02	1.750 X .095 Wall	1
CW 2S_YXZ-FT 02M	1.750 X .095 Wall	1
CW 2S_YXZ-FT 03	1.750 X .095 Wall	1
CW 2S_YXZ-FT 04	1.750 X .095 Wall	1
CW 2S_YXZ-FT 05	1.750 X .095 Wall	1
CW 2S_YXZ-FT 06	1.500 X .095 Wall	1
CW 2S_YXZ-FT 06M	1.500 X .095 Wall	1
CW 2S_YXZ-FT 07	1.750 X .095 Wall	1
CW 2S_YXZ-FT 08	1.500 X .095 Wall	2
CW 2S_YXZ-FT 09	1.500 X .095 Wall	1
CW 2S_YXZ-FT 09M	1.500 X .095 Wall	1
CW 2S_YXZ-FT 10	1.750 X .095 Wall	1
CW 2S_YXZ-FT 10M	1.750 X .095 Wall	1
CW YZX-A	YZX A/C CHASSIS BUNG	4
CW YZX-B	YZX B CHASSIS BUNG	2



TITLE:
2 Seat YXZ 1000R "Baja Spec" Cage

DIMENSIONS ARE IN INCHES TOLERANCES: FRACTIONAL $\pm 1/16$ ANGULAR: BEND $\pm .5$ DEG TWO PLACE DECIMAL $\pm .01$ THREE PLACE DECIMAL $\pm .005$	THE INFORMATION CONTAINED IN THIS DRAWING IS THE SOLE PROPERTY OF CAGEXRX LLC. ANY REPRODUCTION IN PART OR AS A WHOLE WITHOUT THE WRITTEN PERMISSION OF CAGEXRX LLC IS PROHIBITED.	MATERIAL	FINISH	SIZE	PART. NO.	REV
		THICKNESS		A	CW 2S_YXZ-BS	X
		DO NOT SCALE DRAWING		SCALE: 1:12	WEIGHT: 84	SHEET 1 OF 2