



2515 Bypass Rd
Flemingsburg, KY 41041
(606) 845-7439

Instructions for Installation and Care of
Can-Am Commander
Soft Door Rear Window Combo
CA-COMMANDER-DRW01

Caution: Do not smoke inside the cab or expose the enclosure to direct flames. Product is FLAMMABLE.

Be sure to read these instructions thoroughly before opening and installing the enclosure. The installation is best done when ambient temperature is 70°F or warmer. If installed in cold weather, warming the adhesive Velcro strips before installation is recommended.

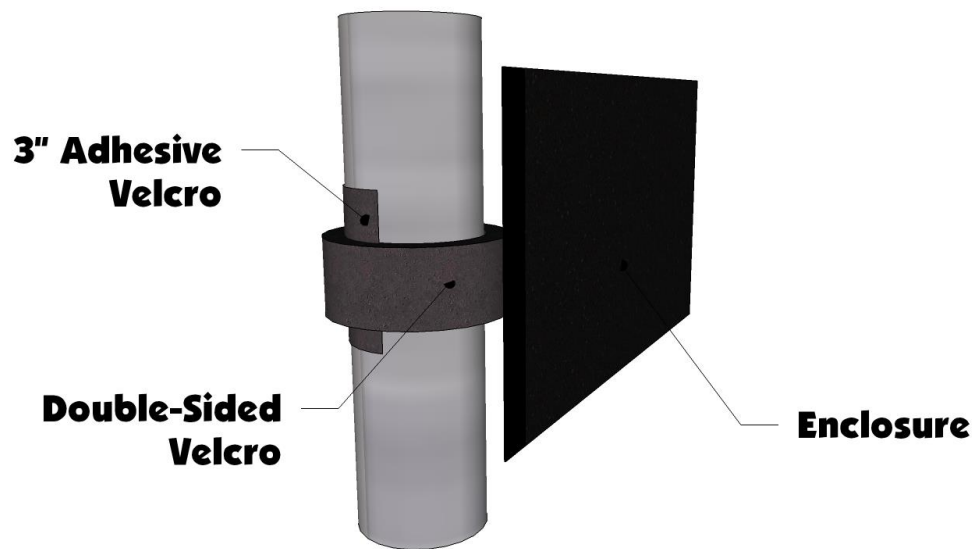
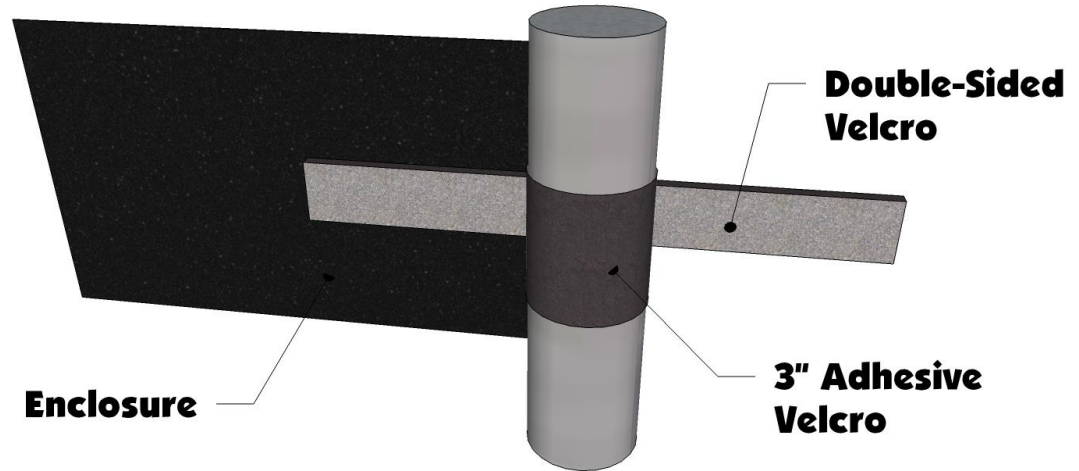
1. Carefully open the carton and remove the rolled-up Cab Enclosure on a large flat surface that is clean and free of dirt or other material that may soil or scratch the windows of the Cab. Check over the parts included in the carton with the parts list shown below:

Velcro Hook strips	-----4 each-----12” long
“ “	-----18 each-----3” long (2 extra)
“ “	-----2 each-----8” long
“ “	-----2 each-----6” long
Snap studs	-----14 each (2 extra)
Door Panels	-----2 each
Rear Window	-----1 each

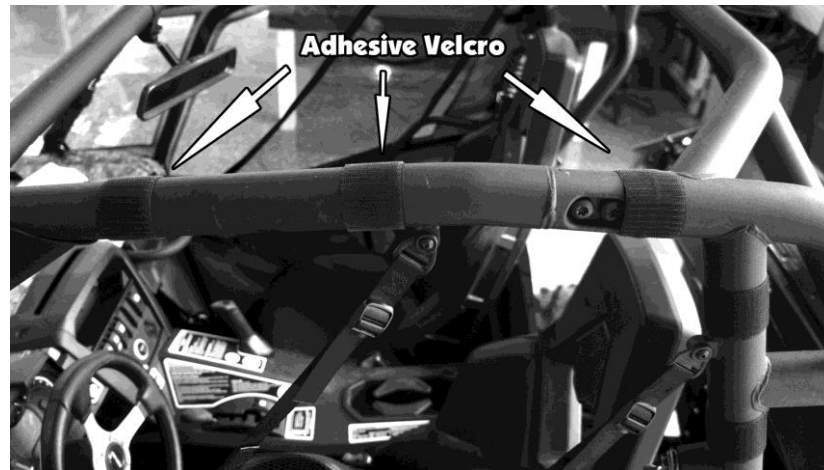
2. This cab enclosure is made up of 3 different panels that all come together to fully enclose the vehicle. You may put on different pieces or leave other pieces off to create the enclosure that best meets your needs.
3. For these instructions we will be installing the entire enclosure. This will cover every piece so if you should want to install just parts of the enclosure these instructions should be sufficient.
4. The order of installation will be as follows:
 - a. Side Door Panels
 - b. Rear Window

5. **Side Door Panels**

- a. Before installing the cab enclosure, you will need to remove the seats and set them aside.
- b. Begin installation by hanging the Door Panels from the top by using the 3" adhesive Velcro strips as shown in the photos below:



- c. Begin installation of the Door Panels by hanging them from the Double-Sided Strips along the top of the doors. Hold the door up and mark where each strip is and wrap a 3” adhesive strip around the roll cage. Now hang the door up and it will be in place to install the rest of the Velcro for the door. See Photo below:



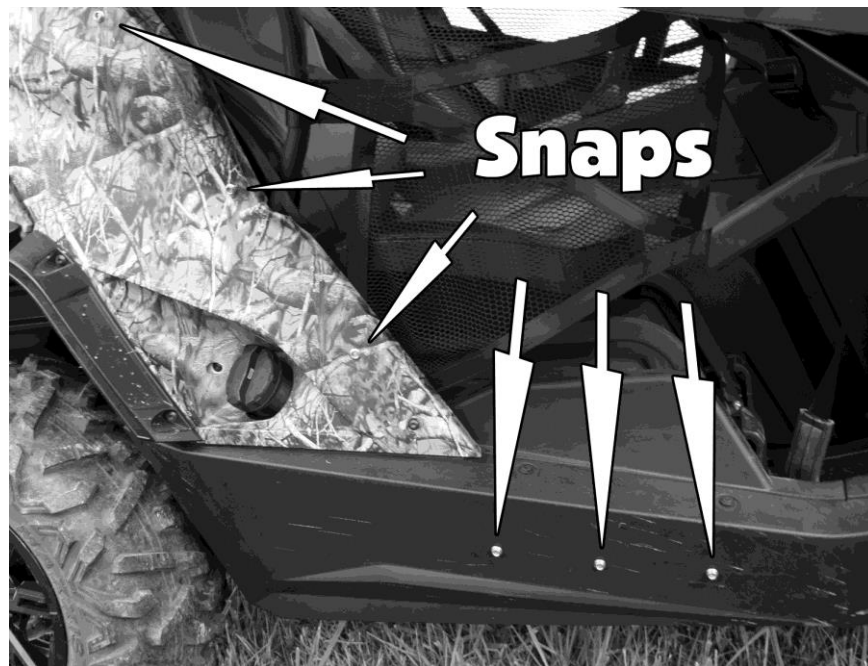
- d. Now move around the door and attach the remaining Velcro strips in the same manner. Down the front of the door place the edge of the door against the side of the windshield and run the Velcro strips under it with the 3” adhesive Velcro on the inside of the roll cage.
- e. Along the bottom of the front Top section of the door is a Velcro strip that you will use one of the 12” adhesive strips to attach it to the side of the vehicle as shown in the photo below.



- f. The rear of the door has two double-sided Velcro tabs that will attach to the first bar towards the rear of the vehicle. Apply the 6" and 12" adhesive Velcro strips between the horizontal bars facing the rear of the vehicle. (NOTE: You may need to cut the adhesive strips down to fit.) Then attach the double-sided tabs to the adhesive strips as shown in the photo below.



- g. Next work your way around the bottom of the door panel and install a snap stud for every snap on the Door Panel. **TIP: You may find it easier to snap the screw stud into the socket on the door first and then pull the Door Panel to the position it should be in and push the screw into the plastic to mark its position. Then remove the screw stud from the socket and drive it into the plastic.** See Photo Below:



- h. The next part of the door is to place the 8” adhesive Velcro on the rear facing edge of the entrance to match up with the front bottom section of the door as shown in the photo below.



- i. Lastly on the door you will take the strap that is sewn to the center webbing strip towards the front of the door and run it through the safety net buckle and back to the ladder lock buckle. You may need to adjust the length so that it is not hard to buckle the webbing when entering the vehicle. See Photo Below:



6. **Rear Window**

- a. Begin installation of the Rear Window by hanging it by the four double-sided Velcro strips sewn along the top of the panel. The main difference here is that the top of the Rear Window will be on the inside of the roll cage as shown in the photo below.



- b. The sides of the Rear Panel will attach to the outside of the double-sided tabs that hold the rear of the door panels as shown below. (**NOTE:** The top Velcro strip on the sides may be a tight fit between the bars but will work just fine.) See photo in section 6e.
- c. Make sure that the Rear Window is centered correctly and then move to the bottom of the panel and take the straps down and around the side bars and then up and through the ladder lock. Do NOT pull them too tight because when the seats are replaced they will be pushing on the rear window. See Photo Below:



Cleaning and Storage Recommendations:

1. Before removing the Over Armour Offroad Cab for storage, make sure it is very clean, in order to prevent any scratching on the window panels. Clean with a soft rag or sponge using a mild liquid detergent soap and warm water solution. Never rub the windows with a dry cloth or rag! Let the Cab dry thoroughly before attempting to roll for storage.
2. It is important that the Cab be rolled up for storage rather than folding. Folding will cause damage to the windows!!! Carefully roll up the Cab similar to the way it was when it was packed at the factory. On a large, clean and flat surface, fold the doors over the rear panel first, then, interleave the top and windshield on top of the doors. Begin rolling the Cab into a roll approximately 8 inches in diameter. Put the rolled Cab back into the carton for storage at a normal room temperature. It is best not to expose the Cab to either extreme hot or cold temperatures when storing.
3. A special cleaner conditioner is available from Over Armour Offroad that will greatly increase the service life of the Cab Enclosure. If extra hook and loop sets are needed, they can also be ordered.

Return Policy

If for any reason you choose to return this product it must be returned within **30 days from date item is received**. You **MUST** package the product exactly **as it was originally packaged from the factory to get a full refund for the product!**

The vinyl windows should never be folded when packaging in the box or for storage purposes. Lay all the windows on top of each other with the canvas folded in between and the paper (if available) on both sides of the windows.

All returned products will be inspected upon arrival at the production facility and must be in unused, factory new condition to receive refund - a 25% restocking fee will apply.

If ordered from Over Armour Offroad please call at 606-845-7439 to gain a return authorization number, use our preferred shipping carrier (UPS) to return the item (unless the item is defective, you are responsible for paying the shipping to return the item.) **Any returns submitted to Over Armour Offroad without a return authorization number will be charged a 20% restocking fee.** If ordered from one of Over Armour Offroads many distributors', you must first call them and see what their return policy is. Once your item reaches our production facility, our customer satisfaction team will inspect your item to ensure unused, factory new condition. **NOTE: All windshields must be returned with the original protective film intact and not removed. Do NOT REMOVE if you have any intentions of returning the item. Refund/ replacement of a windshield will only be processed on items with original protective film or if the windshield is defective.**

Items must be properly packaged in the original shipping carton to protect them during transit and ensure your returned item arrives back factory fresh, and in new resalable condition (**any returned items that have been used, altered or damaged in any way will not be subject for a refund.**) All contents including instruction manuals, accessories, hardware, Velcro, etc. must be included in your return shipment. Only items in OEM factory new condition will be approved. Once returned items are received, credit will be issued to the original credit card/ payment method used for the purchase. Outbound shipping and return shipping cost will not be refunded. Please allow 4 to 6 weeks for your refund to be processed.

Warranty

To The Owner of this Product:

Thank you for purchasing one of Over Armour Offroad Cab Enclosures, Tops &/or Windshields! Below are the terms under which your product is covered under our manufacturer's warranty.

30 Day Warranty which includes and is not limited to replacing the enclosure, tops and/or windshield due to defect of the product. Please refer to the return policy in this case for more information.

1 Year Warranty includes any defect in material or workmanship within this time frame we will gladly correct the problem or replace the enclosure, tops &/or windshield. Upon submitting for the correction or replacement we will need to receive pictures of the defect in material or workmanship along with the receipt from the date of purchase.

Thank you,

Over Armour Offroad
www.overarmouroffroad.com