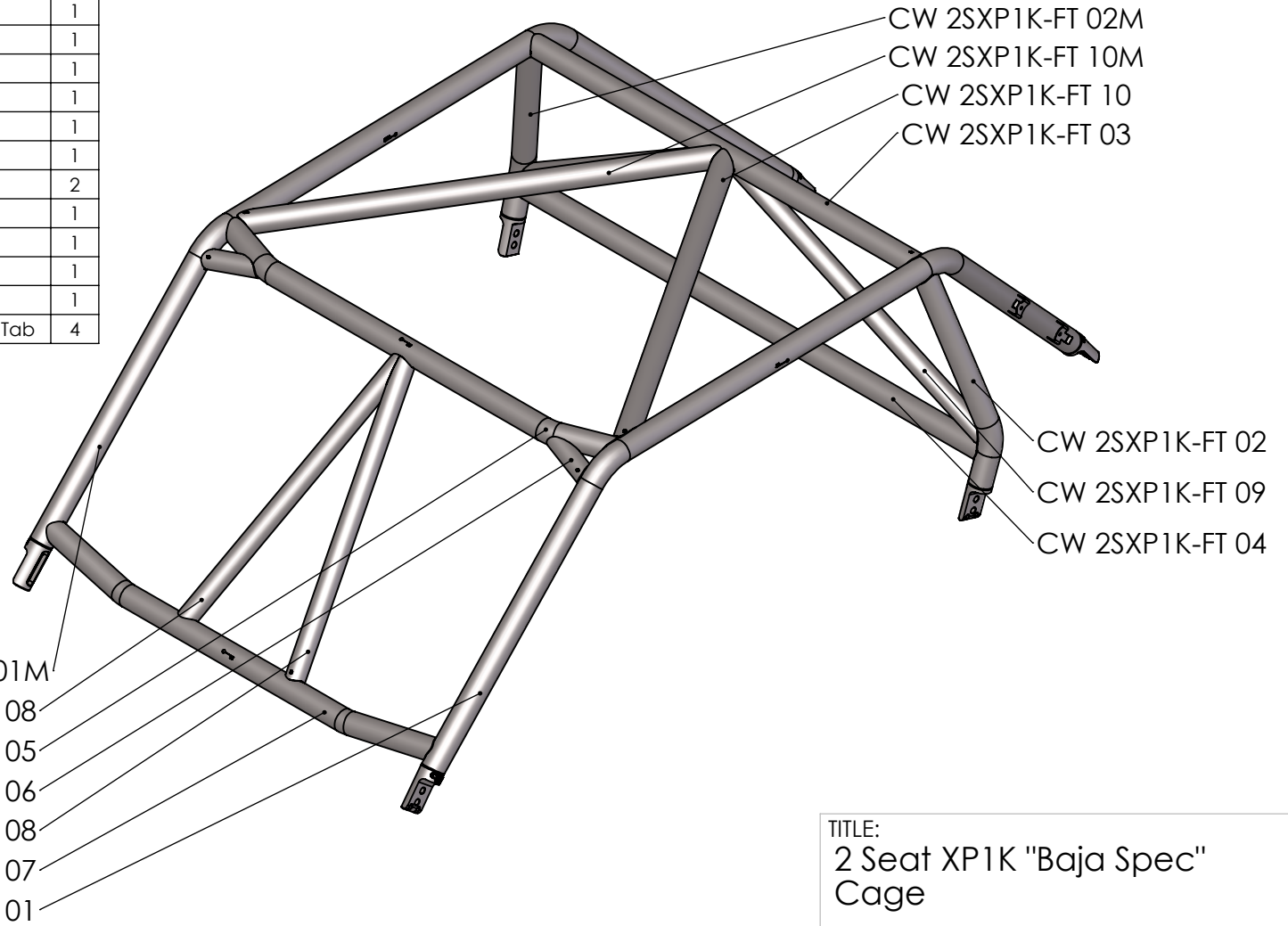


PART NUMBER	DESCRIPTION	QTY.
CW XP1K-A	XP1K Billet A-Pillar Mount	2
CW XP1K-B	XP1K Billet B-Pillar Mount	2
CW XP1K-C	XP1K Billet C-Pillar Mount	2
CW 2SXP1K-FT 01	1.750 X .095 Wall	1
CW 2SXP1K-FT 01M	1.750 X .095 Wall	1
CW 2SXP1K-FT 02	1.750 X .095 Wall	1
CW 2SXP1K-FT 02M	1.750 X .095 Wall	1
CW 2SXP1K-FT 03	1.750 X .095 Wall	1
CW 2SXP1K-FT 04	1.750 X .095 Wall	1
CW 2SXP1K-FT 05	1.750 X .095 Wall	1
CW 2SXP1K-FT 06	1.500 X .095 Wall	1
CW 2SXP1K-FT 06M	1.500 X .095 Wall	1
CW 2SXP1K-FT 07	1.750 X .095 Wall	1
CW 2SXP1K-FT 08	1.500 X .095 Wall	2
CW 2SXP1K-FT 09	1.500 X .095 Wall	1
CW 2SXP1K-FT 09M	1.500 X .095 Wall	1
CW 2SXP1K-FT 10	1.750 X .095 Wall	1
CW 2SXP1K-FT 10M	1.750 X .095 Wall	1
IM XP1K Res Mount	RZR XP1000 Shock Reservoir Tab	4



TITLE:
2 Seat XP1K "Baja Spec"
Cage

DIMENSIONS ARE IN INCHES TOLERANCES: FRACTIONAL $\pm 1/16$ ANGULAR: BEND $\pm .5$ DEG TWO PLACE DECIMAL $\pm .01$ THREE PLACE DECIMAL $\pm .005$	THE INFORMATION CONTAINED IN THIS DRAWING IS THE SOLE PROPERTY OF CAGEXRX LLC. ANY REPRODUCTION IN PART OR AS A WHOLE WITHOUT THE WRITTEN PERMISSION OF CAGEXRX LLC IS PROHIBITED.	MATERIAL	FINISH	SIZE	PART. NO.	REV
		THICKNESS		A	CW 2SXP1K-BS	X
		DO NOT SCALE DRAWING		SCALE: 1:12	WEIGHT: 79	SHEET 1 OF 1