

Over Armour Offroad

2515 Bypass Rd. Flemingsburg, KY 41041
606-845-7439

Instructions for Installation and Care of Arctic Cat / Textron Wildcat Trail / Sport

Diamond Plate Roof

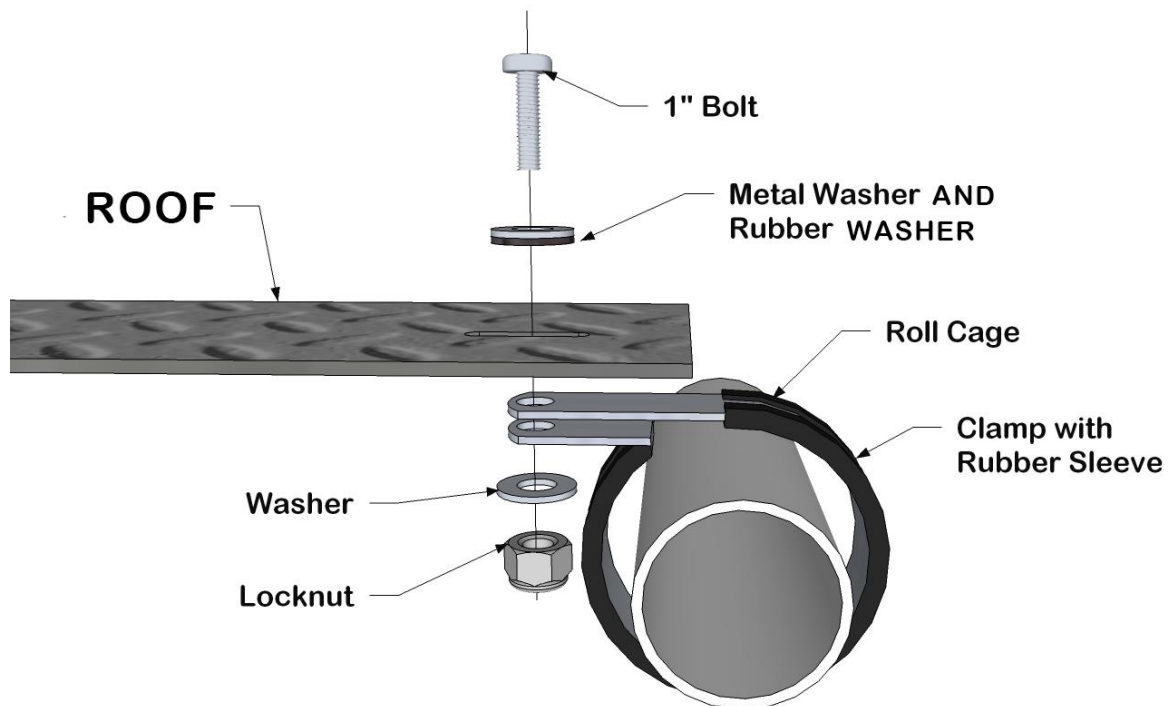
AC-TRAIL-HT01

AC-TRAIL-HT01

1. Be sure to read these instructions thoroughly before opening and installing the Wildcat Trail / Sport Diamond Plate Roof.
2. Check over the parts included in the cartons with the parts list shown below:

1 3/4" Loom Clamps	4 each
1" Bolts	6 each
Lock Nuts	6 each
Large SS Washers	6 each
Large Rubber Washers	6 each
Diamond Plate Roof	1 each

3. The roof is installed using loom clamps in six different locations. Two in the front, two in the middle and two in the rear. The following diagrams show how the clamps are used.



4. The following pictures show how it should look when complete.

