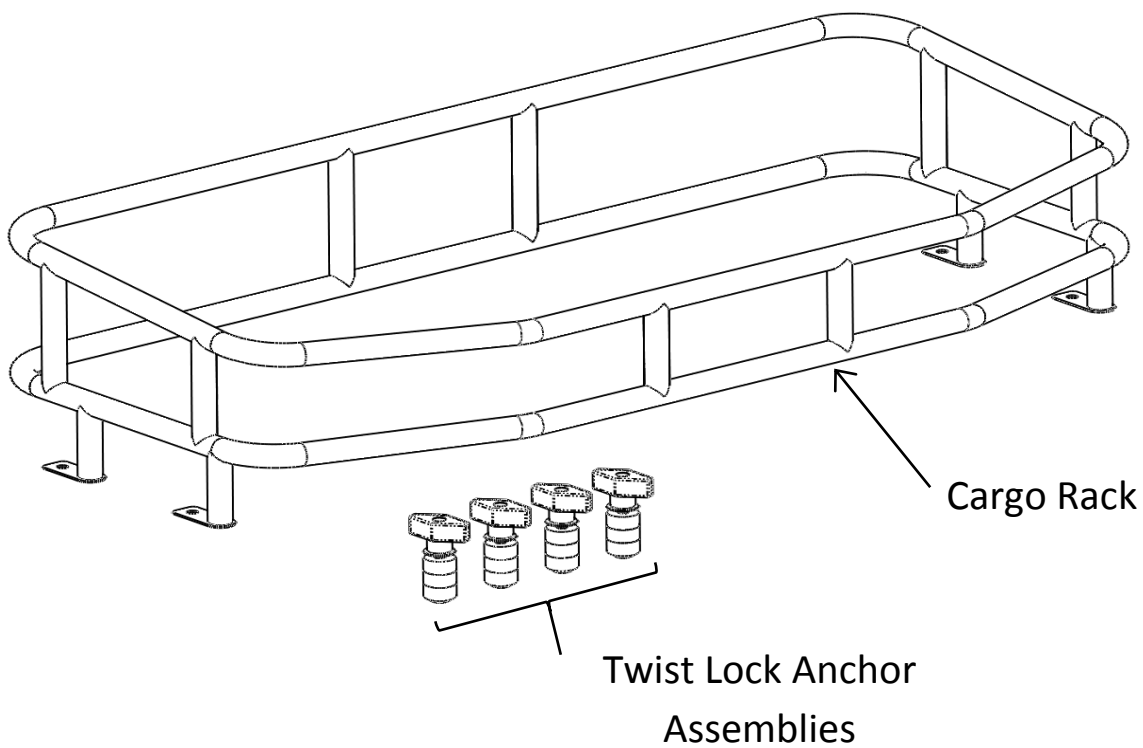


A200 – Sportsman Ace Cargo Rack Installation Kit

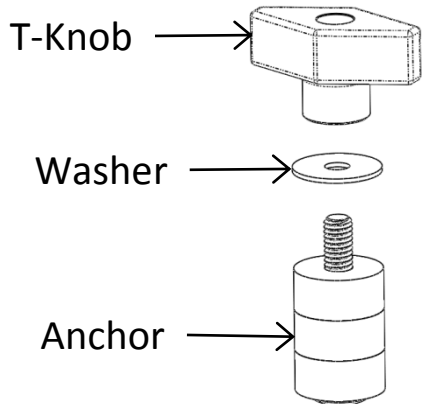


The A200 Sportsman Ace Bed Rail Installation Kit fits Sportsman Ace Models 2014 to current year. The Kit comes with a Cargo Rack and 4x Twist Lock Anchor Assemblies.



Installation:

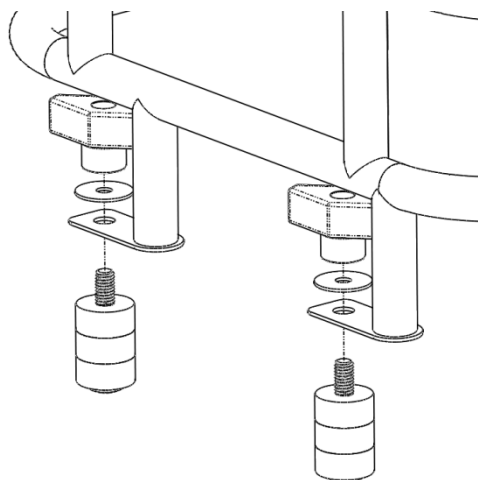
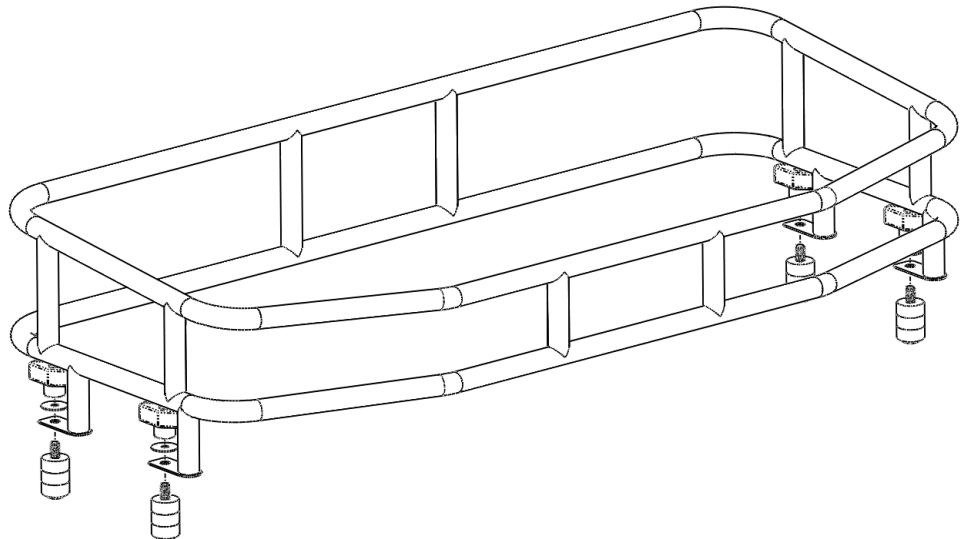
Step 1:



Remove the T-Knob and Washer from each of the Anchor Assemblies.

Step 2:

Insert an Anchor Assembly into each hole in the Cargo Rack.



The threads of the Anchor Assembly will fit up into the holes. Replace the Washer and T-Knob. Screw the T-Knob and Washer down until it is finger tight but can still spin freely in the hole.

Do NOT tighten beyond finger tight at this point.

Step 3:

Lift the Cargo Rack into place, locating the Anchor Assemblies into the Mounting Holes located on the bed sides.

If an Anchor will not enter a mounting hole, make sure that none of the T-Knobs are threaded too tight.



Step 4:

Tighten the T-Knobs of each Anchor Assembly. Once they have been tightened, the Sportsman Ace Cargo Rack has been successfully installed.

