

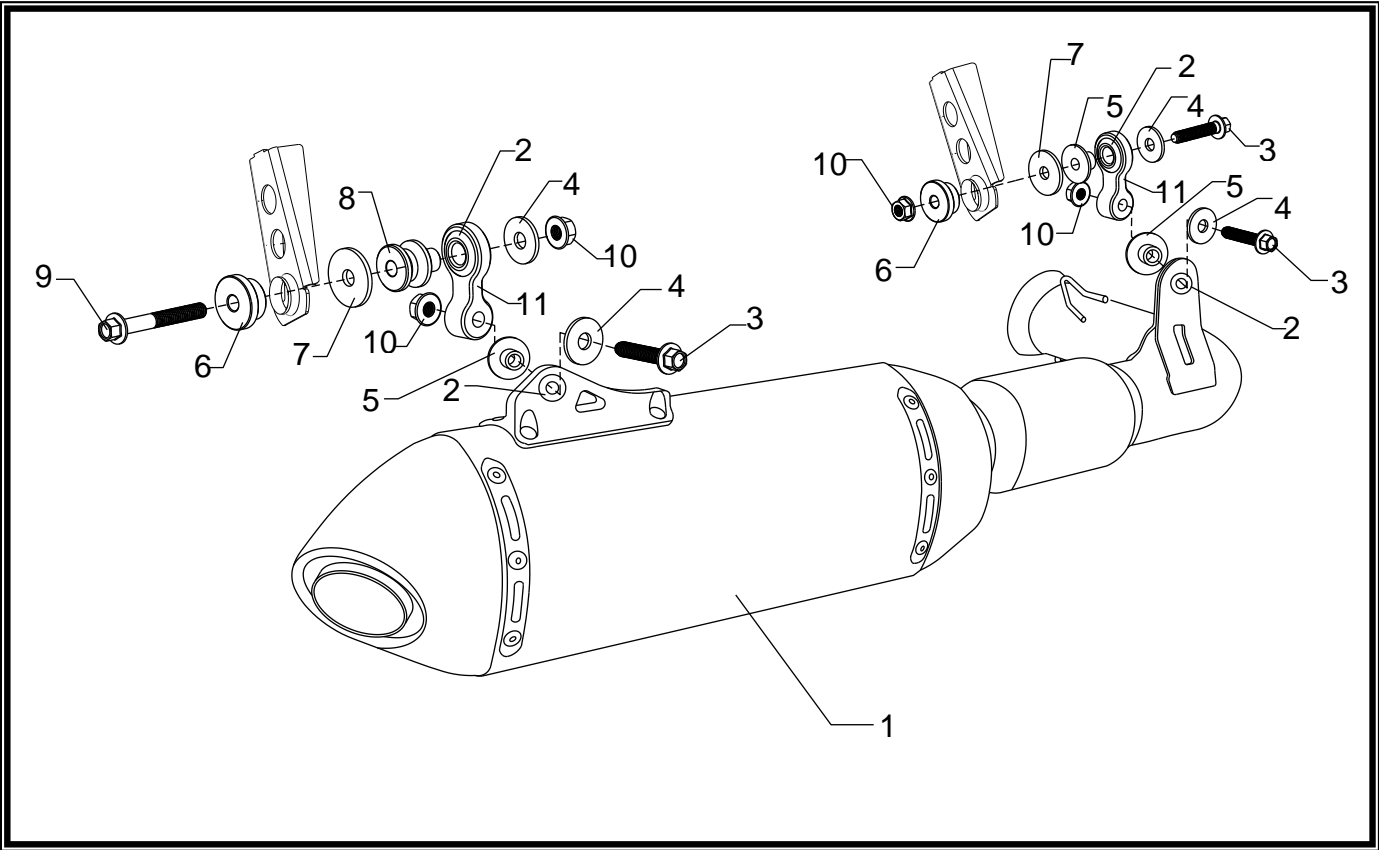


PERFORMANCE EXHAUST SYSTEM

APPLICATION

YEAR	MODEL
2011-2013	Polaris RZR XP 900
2013	Polaris RZR XP900 Jagged X
PRODUCT	
399002D520	RS4 SS Slip-on Exhaust with Stainless Steel Sleeve: CF Endcap

- ⚠ *This product is designed for use in closed course racing and is not intended for highway use. In the state of California, it is illegal to modify the emission control system, which includes the fuel injection of any vehicle.*
- ⚠ *You must know how to remove and replace your stock exhaust in order to install this product otherwise have it installed by a professional mechanic. Keep all stock parts from your existing system as some components may be necessary to install your new Yoshimura exhaust depending on the application.*
- ⚠ *Read through all instructions before beginning installation. Exhaust system can be extremely hot. Let motorcycle cool down before beginning installation. Always wear hand and eye protection and take precautionary measures to avoid injury.*



No.	Part #	Description	Qty
1	399002D520-RMA	Yoshimura Muffler Assembly	1
2	Z1022	Rubber Grommet	4
3	M8X40H	8mm x 40mm Flanged Hex Head Bolt	3
4	8MMWASHERL	8mm Large Washer	4
5	ALS-003	Aluminum Spacer	3
6	ALS-027	Aluminum Spacer	2
7	8MMWASHERXL	8mm XL Washer	2
8	ALS-031	Aluminum Spacer	1

9	M8X60H	8mm x 60mm Flanged Hex Head Bolt	1
10	8MMNUT	8mm Nut	4
11	39900-RS4-BRKT	Muffler Hanger Bracket	2
**	M18X13PLG	O2 Bung Plug	1
**	ST-200	Spring Puller Tool	1
**	347PLUG	Wash Plug	1
**	17029	Yoshimura Sticker Sheet	1

-TOOLS REQUIRED-

Metric Socket Set • Combination Wrench Set • Metric Allen Wrench Set

-REMOVAL-

1. *Removing the stock system.*
 - a) **Remove the (4) springs off of the stock tailpipe and the muffler connections.**
 - b) **Slide muffler to the side to remove.**
 - c) **Remove the stock rubber bushings in the frame as they will not be used with the new exhaust system.**
 - d) **Inspect stock exhaust gasket and replace if necessary. (Polaris P/N: 3610178)**

-INSTALLATION-

1. *Installing the Yoshimura Slip-On Exhaust.*
 - a) **Install Yoshimura Muffler Hanger Brackets onto chassis. See diagram for proper hardware orientation.**
 - b) **Install muffler assembly to Yoshimura muffler hanger bracket using the supplied hardware. See parts diagram for proper orientation.**
 - c) **Install exhaust springs onto stock header and tailpipe connection.**
 - d) **If the O2 sensor will not be used, install provided O2 sensor plug.**
2. *Fitment check and Notes.*
 - a) **Before starting vehicle, check for proper clearance between new exhaust system and rear suspension (i.e. tire, control arm, brake, rear shock, and etc.) If any problem is found, please carefully follow through the installation steps again. If problem still persists, please call Yoshimura Tech Department at (800) 634-9166 / in CA (909) 628-4722.**
 - b) **It is recommended that the muffler and tailpipe be wiped down with rubbing alcohol to remove oil and fingerprints. This will help prevent tarnishing of the finish after the exhaust is heated up.**
 - c) **NOTE: After starting vehicle, it is normal for new exhaust system and muffler to emit smoke until oil residue burns off.**