

G.703 Coax to Twisted Pair Balun-P/S / Balun-B1/B2



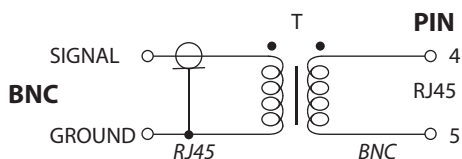
A BALUN is a type of electrical transformer that can convert electrical signals that are balanced to signals that are unbalanced and vice versa. They are also used to change impedance of twisted pair's 120 ohm to coaxial's 75 ohm. An E1 balun's function is generally to convert an E1 carrier signal from coaxial cable to UTP CAT-5 cable.

Features

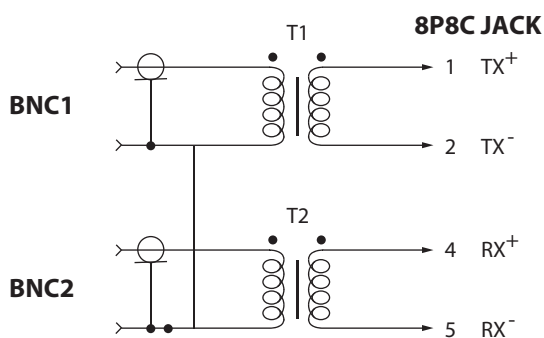
- Converts between 75 ohm coax and 120 ohm twisted pair for E1 (2048Kbps)
- Easy to install
- No power required
- Small, light-weight Balun
- Works in either direction
- Works for balanced and unbalanced E1

Data rate	2048Kbps
Unbalanced interface	75 ohm impedance, 2xBNC
Balanced interface	120 ohm impedance, 1xRJ-45
Dimensions	Balun-B2/S , Balun-B2/S-2 4.4 x 5.4 x 2.5cm (W x D x H) Balun-B1 2.2 x 5.6 x 2.1cm (W x D x H) Balun-P/S , Balun-P/S-2 2.2cm x 22.4cm x 2.1cm
Weight	Balun-B2/S , Balun-B2/S-2 35g Balun-B1 65g Balun-P/S , Balun-P/S-2 45g
Compliance	ITU G.703 standard pulse

PIN Assignment for Balun-B1



PIN Assignment for Balun-P & Balun-B2



Ordering Information

- Balun-P/S : Two BNC pigtail type
- Balun-B1/S : One BNC box type
- Balun-B2/S : Two BNC box type



G.703 Mini Balun BLN-3010

A balun is a type of electrical transformer that can convert electrical signals that are balanced to signals that are unbalanced and vice versa. They are also used to change impedance of twisted pair's 120 ohm to coaxial's 75 ohm. An E1 balun's function is generally to convert an E1 carrier signal from coaxial cable to UTP CAT-5 cable. The BLN4010 is miniature Balun designed for applications where space is restricted due to small dimensions or high densities. The fully shielded design is intended for panel mounting and IDC twisted pair termination is available in either standard BNC or 1.6/5.6 jack unbalanced connectors.

Features

- Converts between 75 ohm coax and 120 ohm twisted pair for E1(2048Kbps)
- Works in either direction
- Body parts plated with minimum 5u Ni(Nickel)
- Contacts plated with minimum 1.25u Ni(Nickel) and 1.25uAu(Gold)
- Coax connectors with BeCu spring contacts and Teflon insulators
- Coaxial connector insertion cycle > 500
- IDC contacts Phosphor Bronze
- IDC connect/disconnect cycle > 20
- IDC to suit 24,26,28 AWG Copper wire
- Integrated cable anchor allows cable to be inserted after termination on IDC

Data rate	2048Kbps
Unbalanced interface	75 ohm impedance, 1xBNC or 1x 1.6/5.6 Jack
Balanced interface	120 ohm impedance, IDC
Dimensions	1.7cm x 1.6cm x 4.8cm
Weight	15g
Compliance	ITU G.703 standard pulse



BLN-3010 : 1.6 / 5.6 Jack to Krone IDC



BLN-5010 : BT43 to Krone IDC



BLN-4010 : BNC to Krone IDC



BLN-6010 : SMZ to Krone IDC

Ordering Information

Balun-3010 : 1.6/5.6 Jack to IDC
 Balun-4010 : BNC to IDC
 Balun-5010 : BT43 to IDC
 Balun-6010 : SMZ to IDC