

## 10Gbps SFP+ High Speed Copper Cable

CAB-10G-SFP-1M

### Product Features



- Support for multi data rates up to 10.5Gbps
- Data rates backward compatible to 1Gbps
- Support hot-pluggable
- Available in lengths of 1, 2, 3, 5, 7 and 10M
- Metal with lower EMI
- Excellent ESD protection
- Single 3.3V power supply
- RoHS Compliant and Lead-Free
- Compliant with SFF-8472 Rev 11.1
- Compliant with SFP+ MSA: SFF-8431 Rev4.1

### Product Selection

Part Numbers	Types	Package	Lengths	AWG
CAB-10G-SFP-1M	Passive	SFP+	1M	28
CAB-10G-SFP-2M	Passive	SFP+	2M	28
CAB-10G-SFP-3M	Passive	SFP+	3M	28
CAB-10G-SFP-5M	Passive	SFP+	5M	24
CAB-10G-SFP-7M	Passive	SFP+	7M	24
CAB-10G-SFP-10M	Active	SFP+	10M	24

Note: If you need other length or wire size AWG cables, please contact us.

## Applications

- 1/10GbE
- 1/2/4/8x FC
- Infiniband 1X SDR DDR QDR
- Proprietary Interconnects

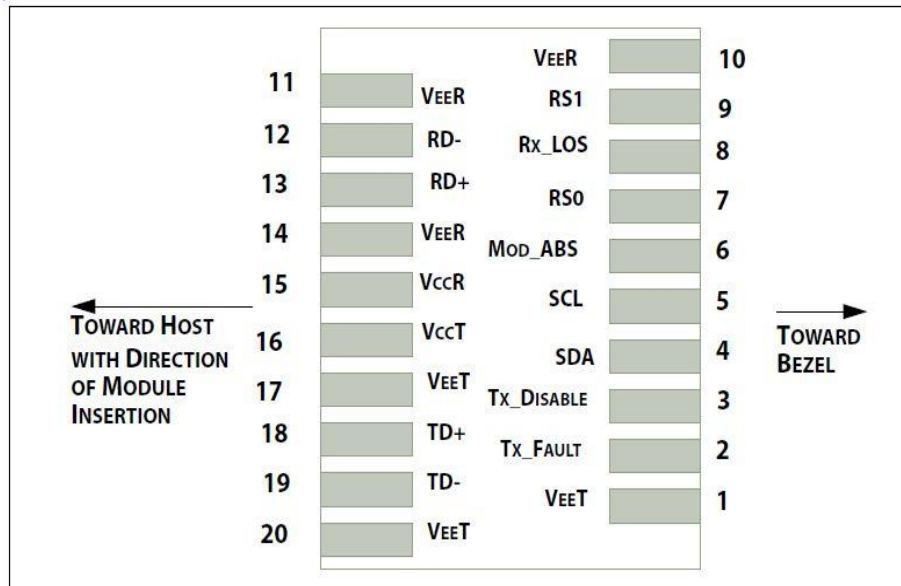
## Regulatory Compliance

- ESD to the Electrical PINs: compatible with MIL-STD-883E Method 3015.7
- RF Immunity compatible with IEC 61000-4-3
- EMI compatible with FCC Part 15 Class B EN55022 Class B
- RoHS compliant with 2002/95/EC 4.1&4.2 2005/747/EC

## Pin Descriptions

Pin	Symbol	Name/Description	Ref.
1	VeeT	Transmitter Ground ,Common with Receiver Ground in Module	
2	TX Fault	N/A, pulled to VeeT in Module	
3	TX Disable	N/A, pulled to VccT with 4.7k to 10k ohm in Module	
4	SDA	2-Wire Serial Interface Data Line(Same as MOD-DEF2 in INF-8074i). LVTTTL-I/O	
5	SCL	2-Wire Serial Interface Data Line(Same as MOD-DEF2 in INF-8074i). LVTTTL-I	
6	Mod_ABS	Module Absent, Connect to VeeT or VeeR in Module.	
7	RS0	N/A	
8	LOS	N/A, pulled to VeeR in Module	
9	RS1	N/A	
10	VeeR	Receiver Ground	
11	VeeR	Receiver Ground	
12	RD-	Receiver Inverted DATA out, AC Coupled, CML-I	
13	RD+	Receiver Non-inverted DATA out, AC Coupled, CML-I	
14	VeeR	Receiver Ground	
15	VccR	Receiver Power Supply	
16	VccT	Transmitter Power Supply	
17	VeeT	Transmitter Ground	
18	TD+	Transmitter Non-Inverted DATA in. DC Coupled, CML-O	
19	TD-	Transmitter Inverted DATA in. DC Coupled, CML-O	
20	VeeT	Transmitter Ground	

## Pin-out of Connector Block on Host Board



## Absolute Maximum Ratings

Parameter	Symbol	Min	Typ	Max	Unit	Ref.
Maximum Supply Voltage	Vcc	-0.5		+4.0	V	
Storage Temperature	TS	-40		+85	°C	
Operating Humidity	RH	5		95	%	

## Recommended Operating Conditions

Parameter	Symbol	Min	Typ	Max	Unit	Ref.
Power Supply Voltage	Vcc	3.13	3.30	3.47	V	
Power Supply Current	Icc	-	-	100	mA	
Case Operating Temperature	Tc	-5	-	+70	°C	

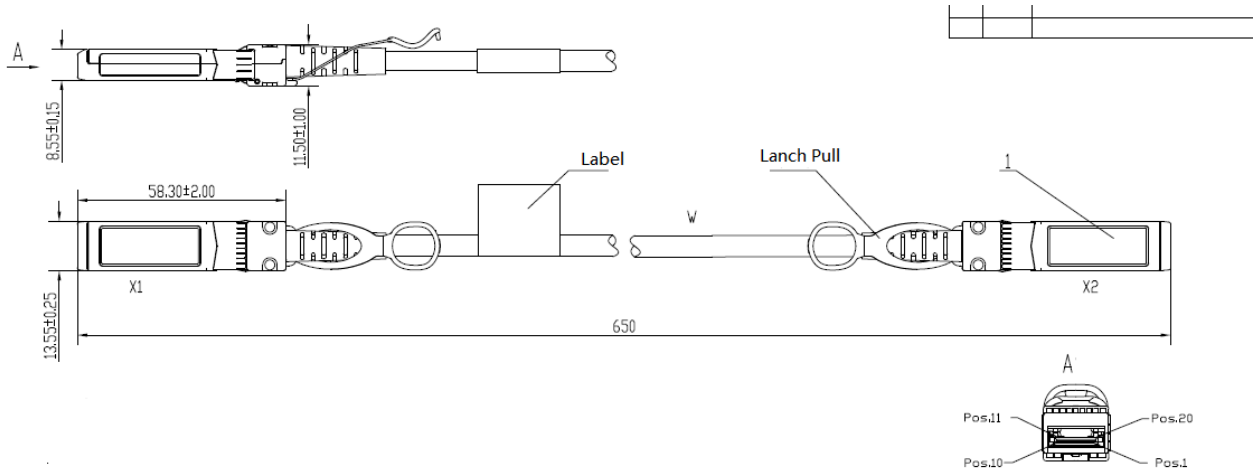
## Electrical Characteristics

Parameter	Symbol	Min	Typ	Max	Unit	Ref.
Data Rate	BR	1	10.3	10.5	Gbps	1
Bit Error Ratio	BER			10 <sup>-12</sup>		2
Input differential impedance	Zin	90	100	110	Ω	

Notes:

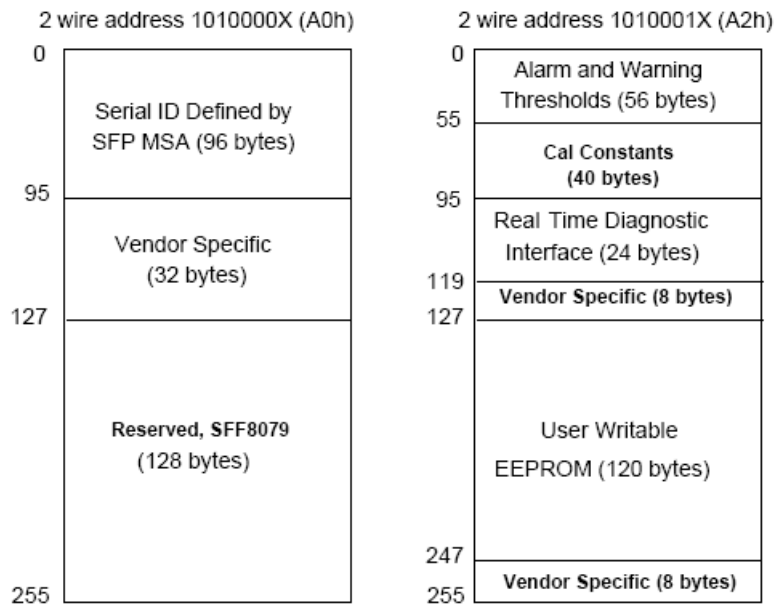
1. 1/10 Gigabit Ethernet and 1/2/4/8G Fibre Channel compliant.
2. Tested with a PRBS 2<sup>31</sup>-1 test pattern.

## Mechanical Specifications



## EEPROM Information

EEPROM memory map specific data field description is as below:



## For More Information

**Megatel Industries Corporation**

664 Wagner CT.

Nothor Wales, PA 19454, USA

Tel: 1-610-239-8812

Fax: 1-215-699-3348

Email: [sales@megatelindustries.com](mailto:sales@megatelindustries.com)

Web: [www.megatelindustries.com](http://www.megatelindustries.com)