

IMC-100

10/100Base-TX to 100Base-FX Fiber Converter



IMC-100 is a family of Fast Ethernet non-managed media converters that support conversion between electrical 10/100Base-TX and optical 100Base-FX Ethernet. Simple DIP switch settings allow configuring the UTP port for auto-negotiation or for forced 10/100 speed and half/full duplex as well as for enabling LFPT (Link Fault Pass Through), Ethernet flow control(802.3x) and selecting Switch Mode (store & forward) or Converter Mode (Jumbo frame Pass-through). Housed in rugged DIN rail or wall mountable enclosures, these converters are designed for harsh environments, such as industrial networking and intelligent transportation systems (ITS) and are also suitable for many military and utility market applications where environmental conditions exceed commercial product specifications.

Features

- Redundant dual DC input power 12/24/48VDC (9.6 ~ 58VDC)
- IP30 rugged metal housing
- Wide operating temperature -40 ~ 75°C (IMC-100-E)
- UL60950-1, CE, FCC, Rail traffic EN50121-4 certification
- Industrial Grade EMS, EMI, EN61000-6-2, EN61000-6-4 certified
- Store-and-Forward mode and Pass Through mode (set by DIP SW)
- Conversion between 10/100Base-TX and 100Base-FX cable interface
- Provide a 6 Pole DIP-Switch to set functions

Specifications

Standard	IEEE 802.3 10Base-T IEEE 802.3u 100Base-TX/100Base-FX IEEE 802.3x Flow Control
RJ45 Ports	10/100Base-TX
Fiber Ports	100Base-FX (SC/ST connectors)
Switch Architecture	Store and Forward in Switch mode Supports 1024 MAC addresses in Switch mode
Ethernet Packet length	2046Byte (Max) in Switch mode
Jumbo Frame	9K bytes in Pass through (Converter mode)
Fiber Parameters	Fiber Cable (Multi-mode): 50/125um,62.5/125um Fiber Cable (Single-mode): 9/125um Wavelength: 1310nm (Multi-mode/Single-mode) Available distance: 2KM (Multi-mode) 30KM (Single-mode) 50KM (Single-mode)
Link Fault Pass Through (LFPT)	TX- Fiber: If TX port link down, the media converter will force Fiber port to link down Fiber-TX: If Fiber port link down, the media converter will force TX port to link down
DIP Switch	TP Auto Negotiation OFF: Auto Mode, ON: Force Mode Force TP Speed OFF: 100 Mbps, ON: 10 Mbps Force TP Duplex OFF: Full Duplex, ON: Half Duplex DIP Switch: ON: Enables LFPT (Link Fault Pass through) OFF: Disables LFPT (Link Fault Pass through) DIP Switch: ON: Flow Control Enable OFF: Flow Control Disable DIP Switch: OFF: Switching mode ON: Pass through Converter mode
Connector	Fiber: SC (Multi-mode, 2km), SC (Single-mode, 30km, 50KM) ST (Multi-mode, 2km), ST (Single-mode, 30km, 50KM) RJ-45 Socket: CAT-3/5 (10/100Mbps) Twisted Pair cable Auto MDI/MDI-X and Auto-Negotiation Function Support
LED	PWR 1 (Green): ON: Power1 active/ OFF: Power1 is inactive PWR 2 (Green): ON: Power2 active/ OFF: Power2 is inactive Fault (Red): ON: Fiber or TP has failed OFF: TP are functional Fiber (Green): ON : Connected to network OFF: Not connected to network/ BLK: Receive/Transmit Data 100 (Amber): ON: 100Mbps/ OFF: 10Mbps LAN (Green): ON : Connected to network OFF: Not connected to network/ BLK: Networking is active

Reserve Polarity Protection	Present
Overload Current Protection	Present
Power Supply	12/24/48VDC(9.6~58VDC), Redundant power with polarity reverse protect function and removable terminal block Provide DC Power JACK adapter cable for external power adapter
Alarm Relay Contact	Relay outputs with current carrying capacity of 1 A @24VDC
Removable Terminal Block	Provide 2 redundant power, alarm relay contact
Power Consumption	2.9 W
Operating Humidity	5% ~ 95% (Non-condensing)
Operating Temperature	-10 ~ 60°C (IMC-100) -40 ~ 75°C (IMC-100-E)
Storage Temperature	-40 ~ 85°C
Housing	Rugged Metal, IP30 Protection
Dimensions	106 x 38 x 142mm (D X W X H)
Weight	0.62kg
Installation	DIN Rail mounting and Wall Mounting
EMI	FCC Part 15 Subpart B Class A EN 55022 Class A EN 61000-6-4 – Emission for industrial environment
EMS	EN 61000-6-2 – Immunity for Industrial environment EN61000-4-2 (ESD) Level 3, Criteria B EN61000-4-3 (RS) Level 3, Criteria A EN61000-4-4 (EFT) Level 3, Criteria A EN61000-4-5 (Surge) Level 3, Criteria B EN61000-4-6 (CS) Level 3, Criteria A EN61000-4-8 (Magnetic Field) Level 3, Criteria A
Safety	UL60950-1
Railway Traffic	EN 50121-4
Shock	IEC 60068-2-27
Freefall	IEC 60068-2-32
Vibration	IEC 60068-2-6 (Operating, Packing)
MTBF	852,727 Hrs
Warranty	5 years

Specifications & design are subject to change without prior notice. Please visit CTC Union website for more details.

Application

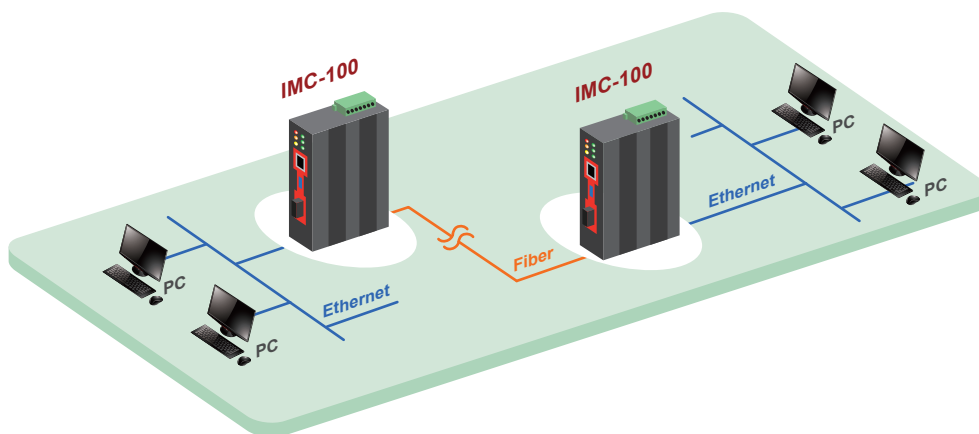
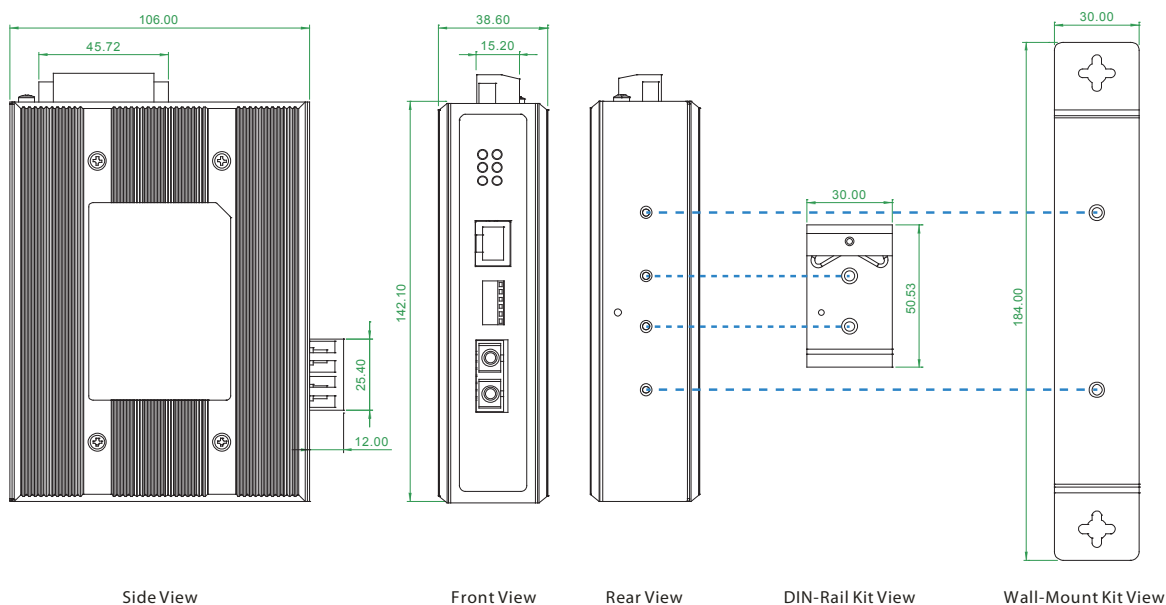


Figure : IMC-100 Media Converter Transmission

Dimensions



Ordering Information

Model Name	Description
IMC-100	1-Port 10/100-TX to 100-FX Fiber Converter ; Temperature Range : -10 ~ 60°C
IMC-100-E	1-Port 10/100-TX to 100-FX Fiber Converter ; Temperature Range : -40 ~ 75°C
Connector Type	Connectivity Distance
SC, ST	002:2km (M/M) 030:30km (S/M) 050:50km (S/M) 020A: WDM 20km A type (TX:1310nm) 020B: WDM 20km B type (TX: 1550nm)

Accessories

DR-4524	Industrial Power, Input 85 ~ 264VAC, Output 24VDC, 48W, -10 ~ +50°C
MDR-40-24	Industrial Power, Input 85 ~ 264VAC, Output 24VDC, 40W, -20 ~ +70°C

IMC - 100 - [] - [] [] [] [] [] [] []
 Example: IMC - 100 - E - SC002