

EXTE

Model: Exte

Category: Countertop washbasin

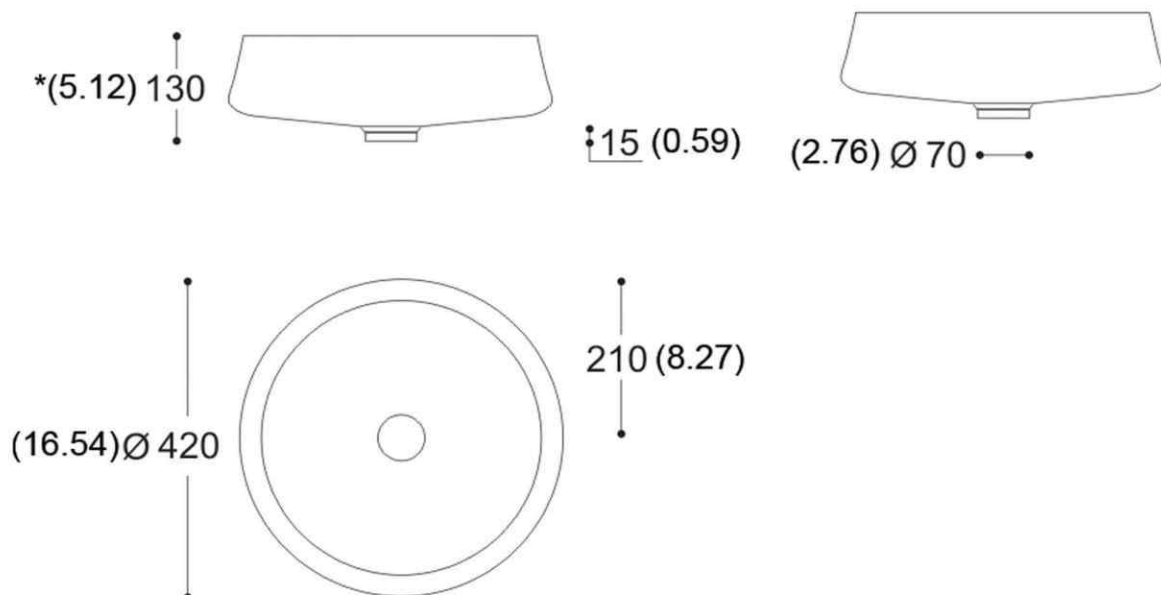
Material: Alumix - *Aluminum Alloy*

Overflow: No

Weight: Kg 2,900

Hole  $\Phi$ : 45 mm

Description: Circular countertop washbasin produced in Alumix



\*Numbers in parenthesis are in inches