

Brake

A device, other than a motor, used for retarding or stopping motion by friction or power means.

Brake, holding

A friction brake for a hoist that is automatically applied and prevents motion when power to the brake is de-energized.

Capacity

See Load, rated

Chain, hand

The chain grasped by a person to apply force required for the lifting or lowering motion.

Chain, load

The chain that is attached to the load, and goes through the hoist to lift the load.

Control, Single Speed

On/ off speed control, least precise maneuvering.

Control, Two-Speed

Two step speed control, allows more precise maneuvering.

Control, Variable Frequency

Infinite step speed control, allows most precise maneuvering.

Duty, H3

A Hook Manufacturers Institute (HMI) standard. General machine shop fabricating, assembly, storage, and warehousing; loads and utilization randomly distributed. Total running time not over 25% of work period (15 minutes out of every hour)

Duty, H4

A Hook Manufacturers Institute (HMI) standard. High volume handling of heavy loads, frequently near rated load in steel warehousing, machine and fabricating shops, mills, and foundries, with total running time not over 50% of the work period (30 minutes out of every hour)

FPM

A unit for speed/ velocity, an abbreviation for "feet per minute"

Headroom

The distance measured from the suspension point of the hoist to the load hook, when it is in its fully raised position.

Hoist

A machinery unit that is used for lifting or lowering a freely suspended (unguided) load.

Please feel free to contact us with any questions or comments:

E-mail: info@justwireropehoists.com

Phone: 1-866-427-7184

Glossary of Terms

Page2

Inverter Control

See Control, Variable Frequency

Limit device

A device that is operated by some part or motion of power driven hoist to limit motion.

Load

The total superimposed weight on the load block or hook.

Load, rated

The maximum load for which a hoist is designated by the manufacturer or a qualified person.

Load block

The assembly of hook or shackle, swivel, bearing, sheaves, sprockets, pins, and frame suspended by the hoisting load chain. This shall include any appurtenances reeved in the hoisting load chain.

Load chain

See chain, load.

Normal operating conditions

Conditions during which a hoist is performing functions within the scope of the original design.

Overload

Any load greater than the rated load.

Parts (lines or falls)

Number of lines chain supporting the load block or hook.

Pendant station (Push Button Station, PB Station)

Controls suspended from the hoist for operating the unit from the floor.

Rated load

See load, rated.

Reeving

A system in which rope travels around sprockets. See Figure 1 one page 3 for details

Single Speed Control

See Control, Single Speed

Trolley

A machine unit that travels on a monorail track or crane bridge girder.

Trolley Hoist

A hoist and trolley unit consisting of a hoist suspended from or mounted to a trolley, or a hoist with an integral trolley.

Please feel free to contact us with any questions or comments:

E-mail: info@justwireropehoists.com

Phone: 1-866-427-7184

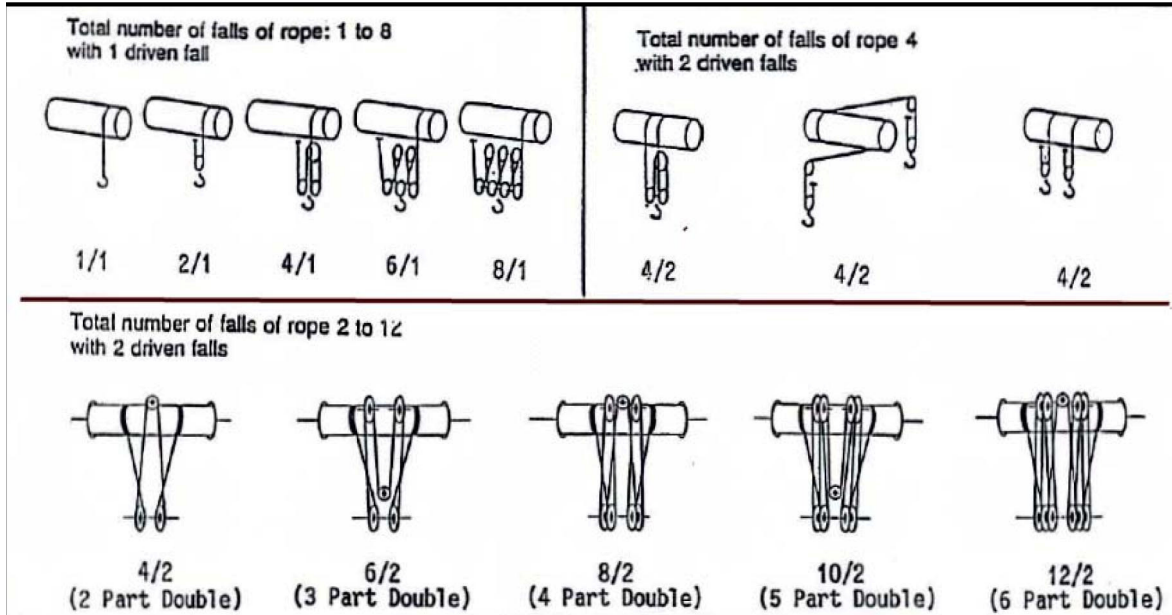
Two-Speed Control

See Control, Two-Speed

Variable Frequency Drive (VFD)

See Control, Variable Frequency

Figure 1: Reeving Details



Please feel free to contact us with any questions or comments:

E-mail: info@justwireropehoists.com

Phone: 1-866-427-7184