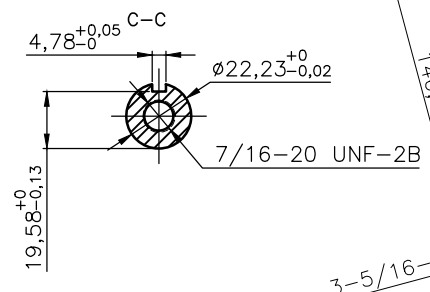
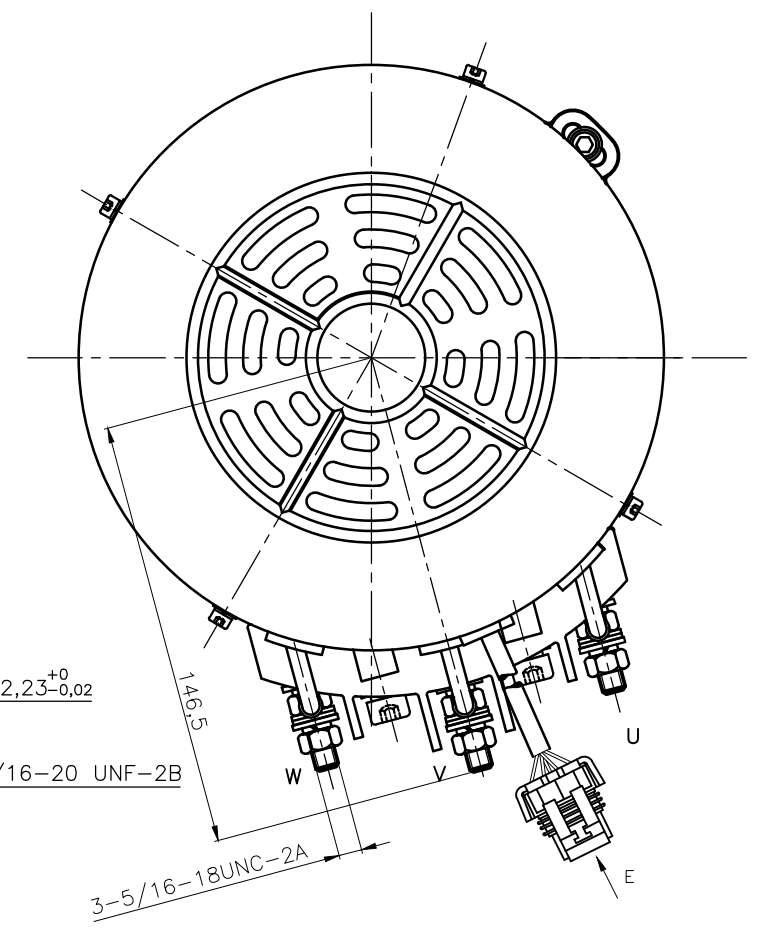
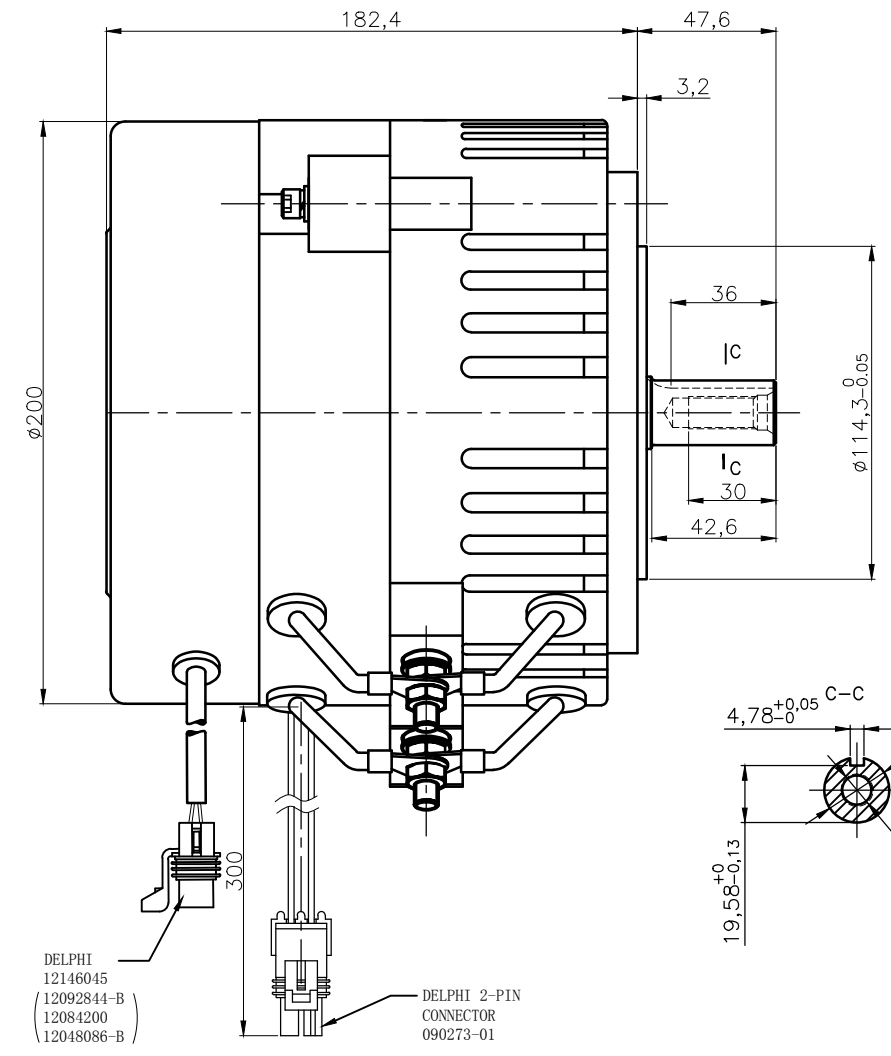
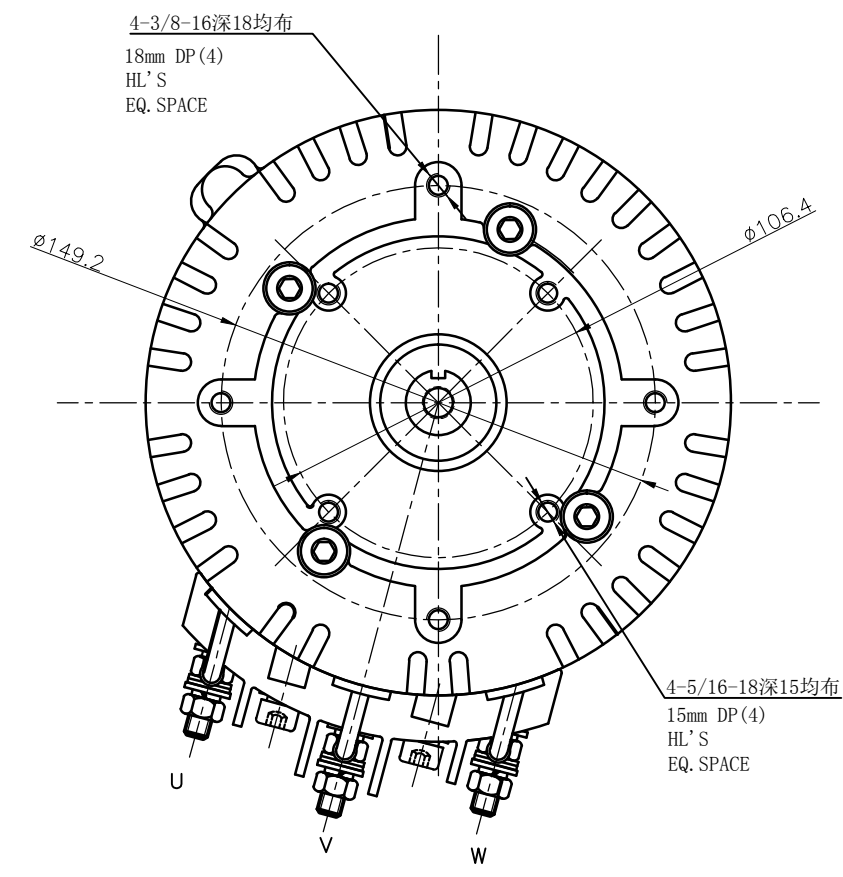
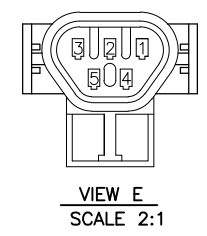


THE SIZES INDICATED ARE METRIC SIZE(mm).
图中所标尺寸为米制尺寸.mm



- NOTES:
 1.CCW
 2.TURNS IS 20 PER PHASE
 3.Front bearing: NTN6006 LLUC3/5K (Made in Japan)
 4.Product to be shipped in plain white box, styrofoam packaging
 Include Dyno Plot in box.
 5.Box to be marked: Part Number: ME 1012
 Made in China

NAMECARD DATA
 PART # ME1012
 DATE CODE XXXXXX
 SERIAL #:XX.XX.XXXX
 Motenergy,Inc.
 Slinger, WI USA



PIN LOCATION 插孔点	WIRE DESIGNATION 导线标记	WIRE COLOR 导线颜色	REMARKS 注意
1	S1 (U1)	WHITE白	---
2	S2 (I2)	GREEN绿	---
3	S3 (U3)	BLUE蓝	---
4	GND (0)	BLACK黑	SHIELD TIED TO THIS PIN
5	Vin (+12)	RED红	---

REV.	CHANGES	BY	ECO NO.	DATE	DO NOT SCALE DRAWING THIS DRAWING IS PROPRIETARY PROPERTY OF MOTENERGY, INC. DISCLOSED IN CONFIDENCE, WHICH MAY NOT BE USED OR DISCLOSED WITHOUT PERMISSION. RETURN PROMPTLY AFTER USE.	DIMENSIONING AND TOLERANCING PER ANSI Y14.5M-1994	MATERIAL	TITLE	Motenergy, Inc. Slinger, WI USA	
-	-	-	-	-	-	-	-	OUTLINE ME1012	-	
-	-	-	-	-	-	-	-	DRAWN: lxp 11.04.01	-	
-	-	-	-	-	-	-	-	APPR:	DESIGN VENDOR: -	
-	-	-	-	-	-	-	-	MODEL NO:	ME1012	
-	-	-	-	-	-	-	-	SIM TO:	OJWT. 301. 552	
-	-	-	-	-	-	-	-	SCALE: -	REV	SHEET 1 OF 1