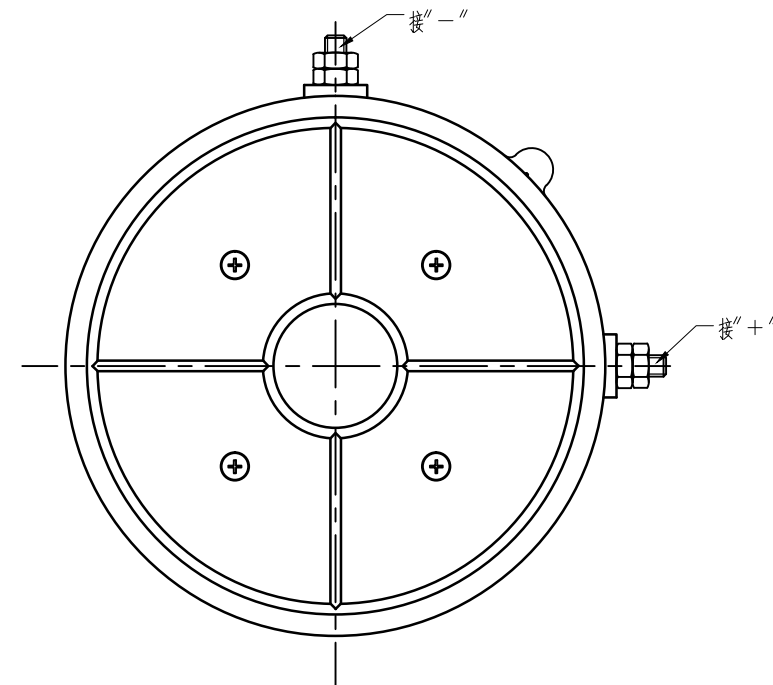
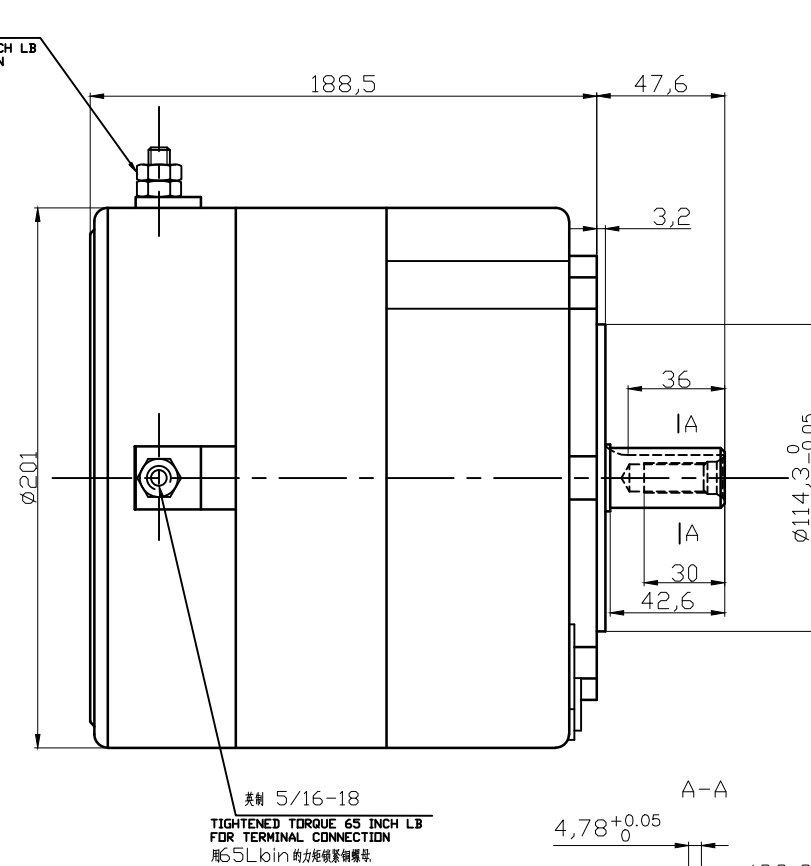
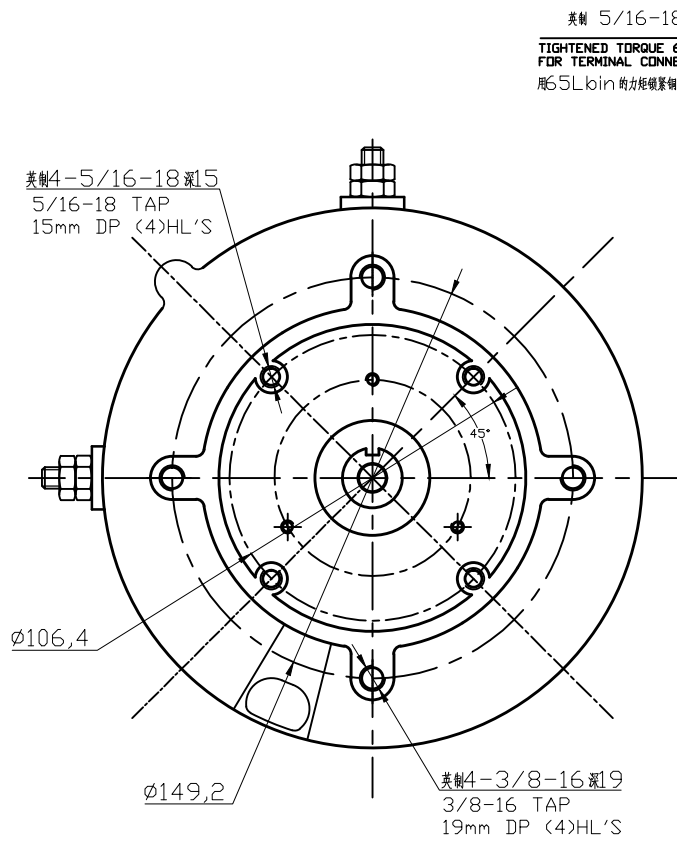


- NOTES:
 1.CCW
 2.Front bearing: NTN6006 LLUC3/5K (Made in Japan)
 3.Product to be shipped in plain white box, styrofoam packaging
 Include Dyno Plot in box.
 4.Box to be marked:
 Part Number: ME1008
 Made in China



NAMECARD DATA
 PART # ME1008
 DATE CODE XXXXXX
 SERIAL #:XX.XX.XXXX
 Motenergy,Inc
 Slinger, WI USA

规格表

型号 MODEL	输出功率 (W) POWER(W)	电压 (V.DC) VOLTAGE(V.DC)	转矩 (LB IN) TORQUE (LB IN)	额定转速 (RPM) LOADED SPEED(RPM)	空载转速 (RPM) NO LOAD SPEED(RPM)	电流 (A) CURRENT (A)
ME1008	4300	48	165	2200±220	appr. 2400	100

REV.	CHANGES	BY	ECO NO.	DATE	DO NOT SCALE DRAWING THIS DRAWING IS PROPRIETARY PROPERTY OF MOTENERGY, INC. DISCLOSED IN CONFIDENCE, WHICH MAY NOT BE USED OR DISCLOSED WITHOUT PERMISSION. RETURN PROMPTLY AFTER USE.	DIMENSIONING AND TOLERANCING PER ANSI Y14.5M-1994	MATERIAL	TITLE OUTLINE ME1008	Motenergy, Inc Slinger, WI USA
-	-	-	-	-	-	CLASSIFICATION OF CHARACTERISTICS CRITICAL (C): MAJOR (M):	S/N: MODEL NO: SIM TO:	DRAWN: lxp 11.02.11 APPR: DEPT: SCALE: -	DESIGN VENDOR: - OJTW. 301.632