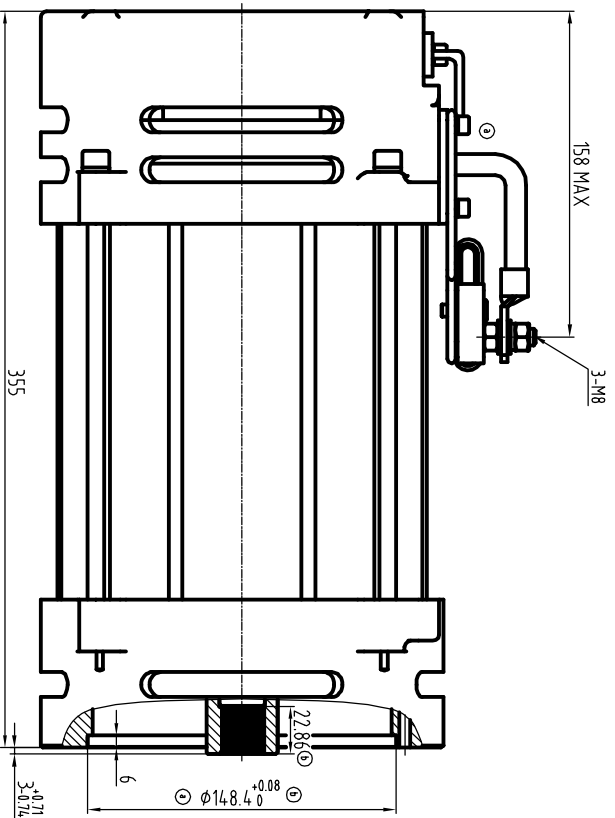
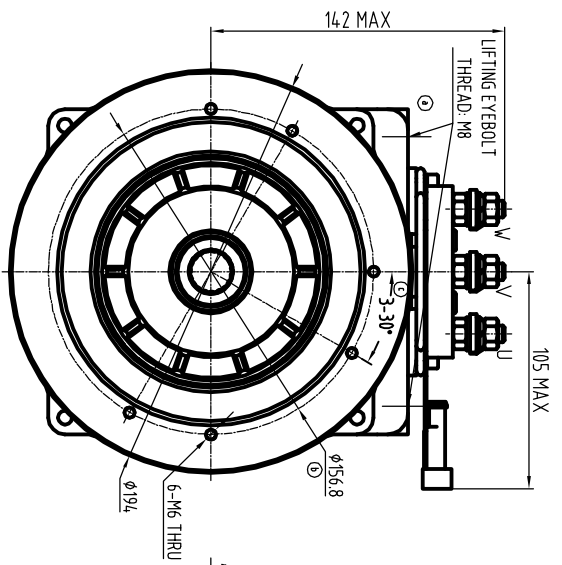


Speed Sensor
 Connector: AMP PN 282106-1
 Terminal: AMP PN 282404-1
 Seal: AMP PN 281934-4

Thermal Sensor
 Connector: AMP PN 282106-1
 Terminal: AMP PN 282404-1
 Seal: AMP PN 281934-4

PIN NUMBER	PIN FUNCTION
1	+V (yellow) ①
2	SIGNAL "B" (blue)
3	SIGNAL "A" (white)
4	GROUND (black)

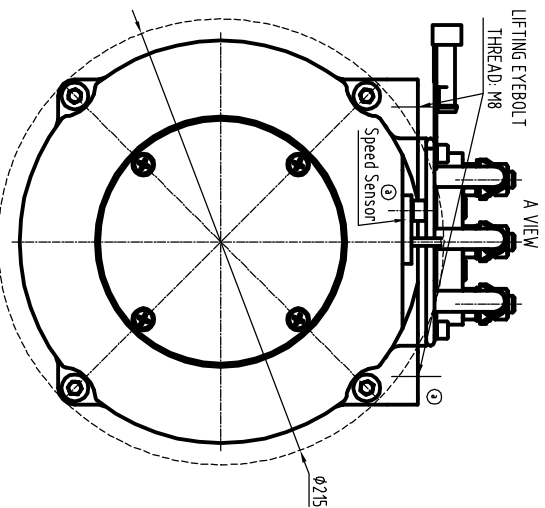


Notes:

- Speed sensor output: 64 pulses per revolution. Two channel output, square wave.
- Thermistor: Philips KTY84-150.
- Speed Sensor : Honeywell SMDH-T4L-G01.
- Viewed from the spline end of the motor, the motor rotates in CCW direction when power supplied with U V W.
- Viewed from the spline end , CCW rotation, Sensor bearing signal "A" is advanced 90 degrees to signal "B".
- Speed Sensor and thermal sensor leads shall be protected against ESD. Connector bodies shall be shipped with antistatic foam.
- Finish:
 - Stator, Painted Silver.
 - Drive End Bell: Black.
 - Rear End Bell : Natural Aluminum.

INTERNAL INVOLUTE SPLINE DATA

Standard	ANSI B92.1 (Class S)	Root Type	Flat Root
Number of Teeth	19	Spline Pitch	24/7.48
Pressure angle	4.5°		
Base Diameter	14.216(0.5597)REF		
Pitch Diameter	20.707(0.796)REF		
Form Diameter	21.21(0.835)		
Minor diameter	19.48-19.61(0.767-0.772)		
Max Actual	1.94, 1.0(0.0764)		
Min Actual	1.875(0.0738)		
Over Pins	17.054, 4.0(0.6714, 4.0mm)		
Pin Diameter	2.032(0.08)		



①	Jack Wei	2009.6.8
②	Jack Wei	2009.3.25
③	Jack Wei	2009.3.27

ACX-2069-1
 MOTOR OUTLINE

图号	1SD.055.1794	4
DRW.#		
重量	1:2	A3
重量 SCALE		
图例		
比例		
审核		
日期	2009.2.12	
DATE		

金泰德世电机有限公司
 KINETEK-DS MOTOR CO., LTD