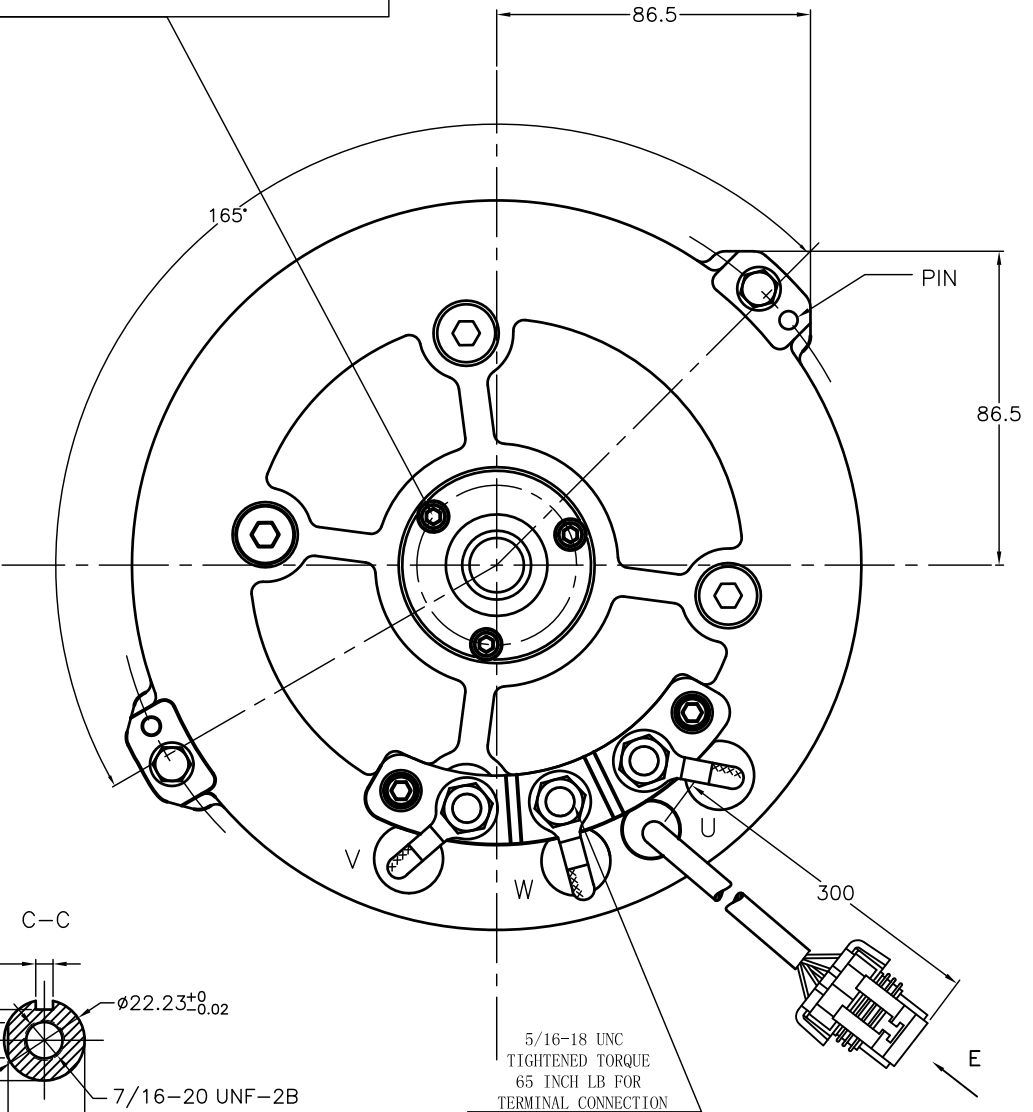
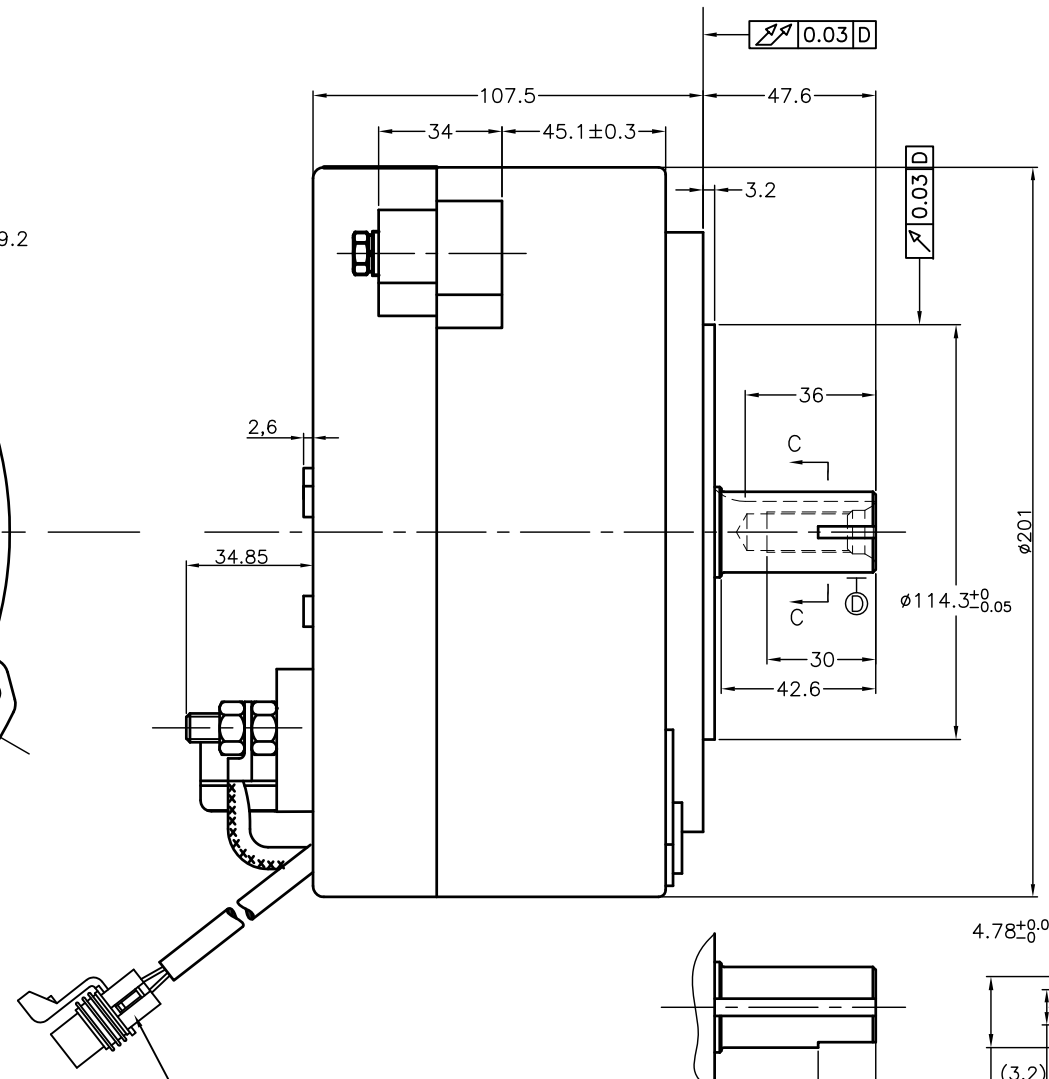
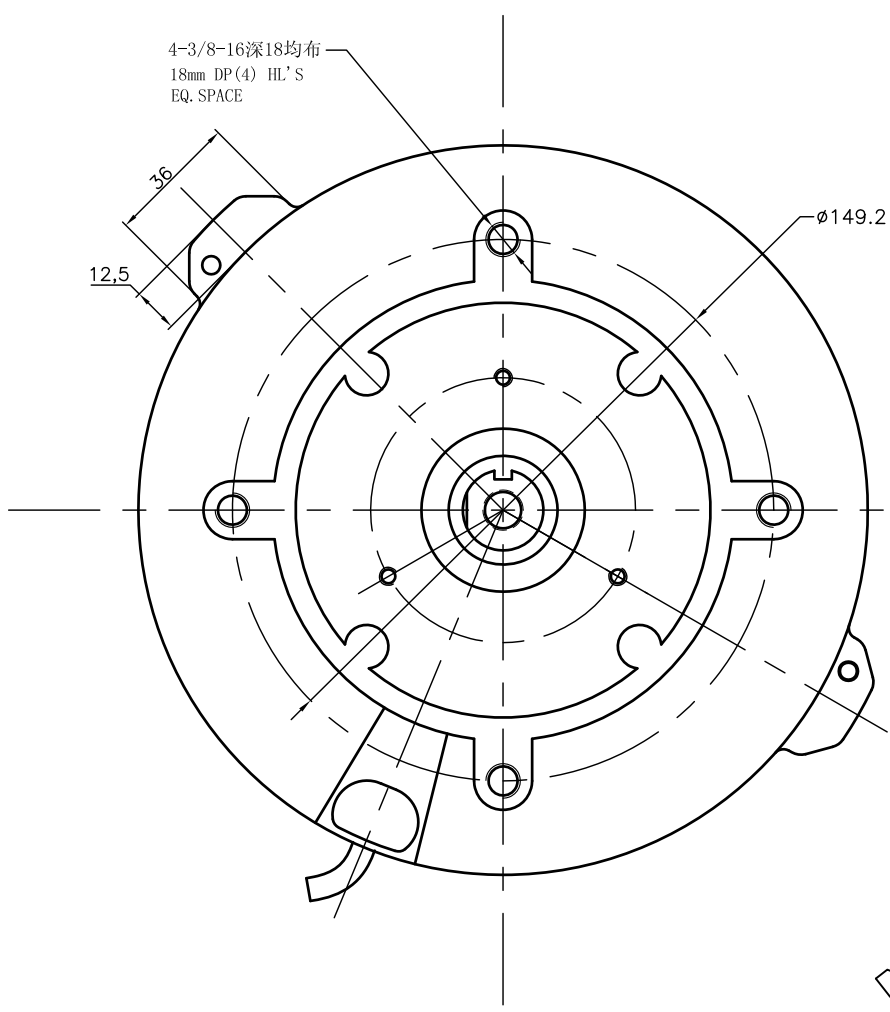
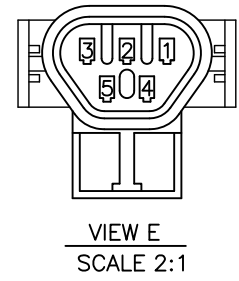


3X REAR BEARING RETAINING PLATE SCREWS  
INSTALL WITH LOCTITE 243(datasheet attached)  
TORQUE TO 4.5Nm+/-0.5Nm



- NOTES:
- 1.TURNS IS 20 PER PHASE
  - 2.Front bearing: NTN6006 LLUC3/5K (Made in Japan)
  - 3.Product to be shipped in plain white box, styrofoam packaging Include Dyno Plot in box.
  - 4.Box to be marked:  
Part Number: ME0201013201 REV.E  
Made in China
  - 5.The TIR between Shaft extension and mounting rabbet will be within 0.03mm
  - 6.Press fit on the outer diameter of the rear bearing, and a light press fit or slip fit on the ID of the bearing on the shaft
  - 7.Light press fit to the OD and ID of the endbells for a tight assembly
  - 8.Adjust and group the parts before assembly to reduce the gap tolerance. Also to control the Rated Speed in certain tolerance

NAMECARD DATA  
PART # ME0201013201 REV.E  
DATE CODE XXXXXX  
SERIAL #:XX.XX.XXXX  
Motenergy, Inc.  
Slinger, WI USA



PIN LOCATION 插孔点	WIRE DESIGNATION 导线标记	WIRE COLOR 导线颜色	REMARKS 注意
1	S1 (U1)	WHITE白	--
2	S2 (U2)	GREEN绿	--
3	S3 (U3)	BLUE蓝	--
4	GND (0)	BLACK黑	SHIELD TIED TO THIS PIN
5	V <sub>in</sub> (+12)	RED红	--

REV.	CHANGES	BY	ECO NO.	DATE	DO NOT SCALE DRAWING THIS DRAWING IS PROPRIETARY PROPERTY OF MARS ELECTRIC LLC CORPORATION DISCLOSED IN CONFIDENCE, WHICH MAY NOT BE USED OR DISCLOSED WITHOUT PERMISSION. RETURN PROMPTLY AFTER USE.	DIMENSIONING AND TOLERANCING PER ANS Y14.5M-1994	MATERIAL	TITLE OUTLINE SBL2000-20T16 永磁式无刷直流盘式电动机 外形图	Motenergy, Inc. Slinger, WI USA
-	-	-	-	-	-	-	-	DRAWN: lxp 11.11.11	-
-	-	-	-	-	-	-	-	APPR:	DESIGN VENDOR: -
-	-	-	-	-	-	-	-	MODEL NO:	ME0201013201
-	-	-	-	-	-	-	-	SCALE: -	REV 1 OF 1