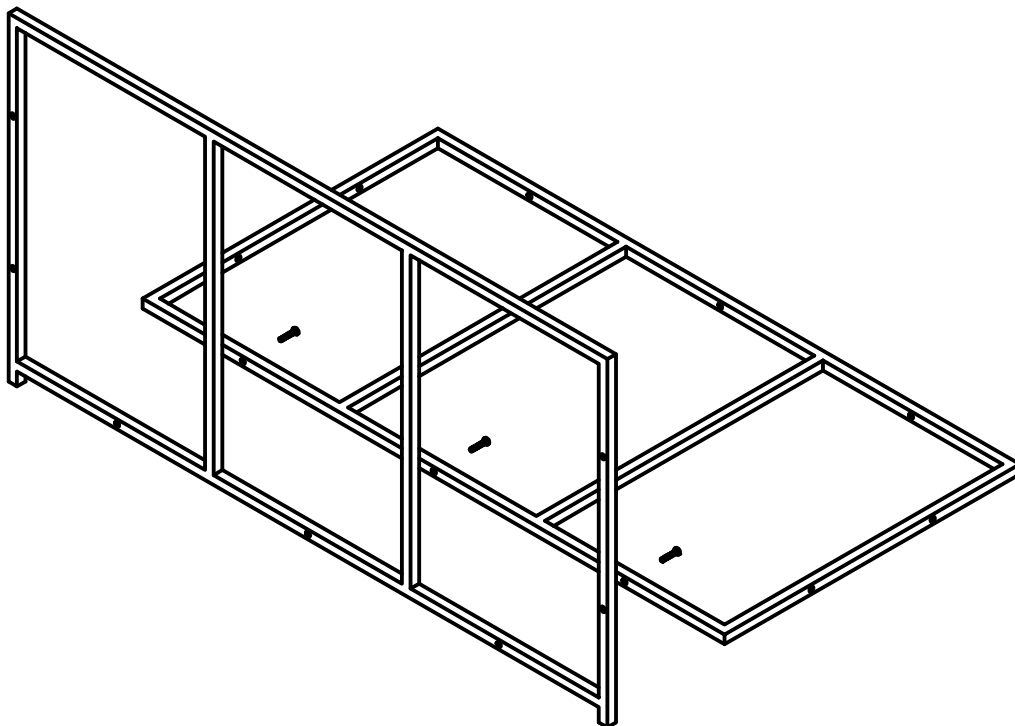
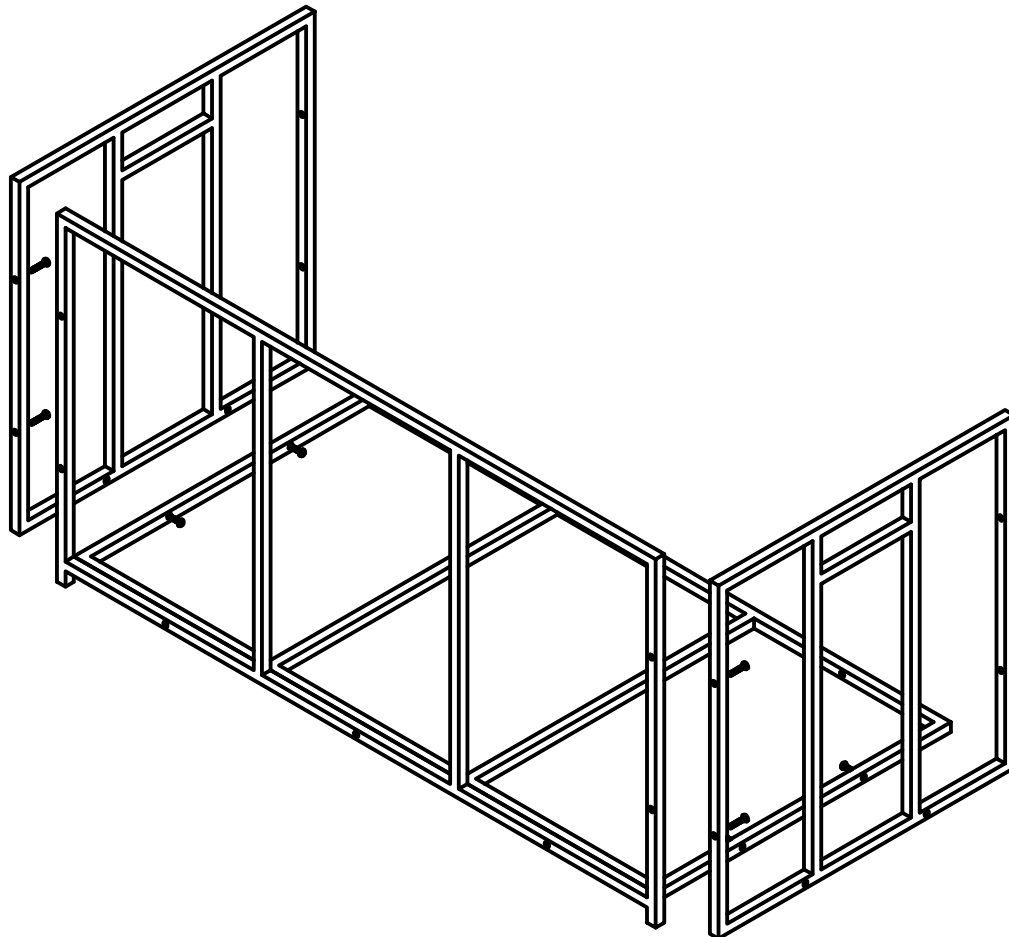


PNboxL Assembly Instructions

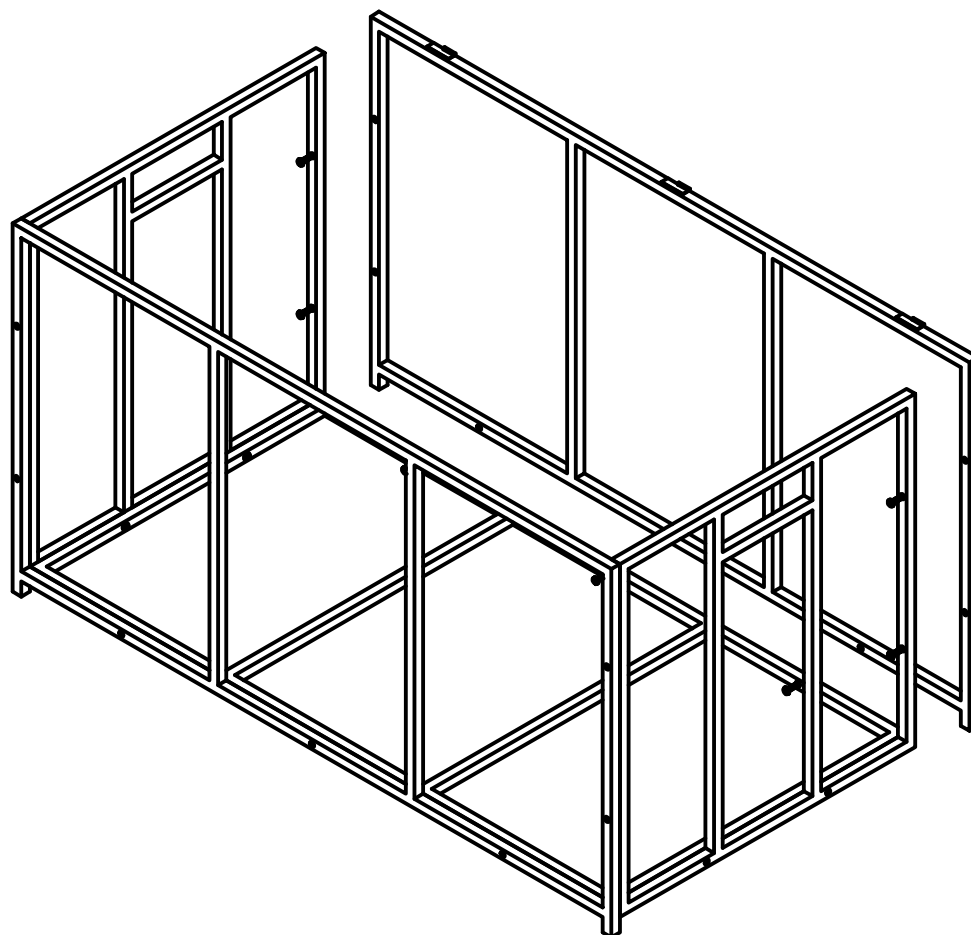


1. Take the front and bottom piece of the storage box and attach both pieces together using the provided screws and washers. Hand tighten all screws before fully tightening it for the full assembly.



2. Then attach the sides next in the same manner.

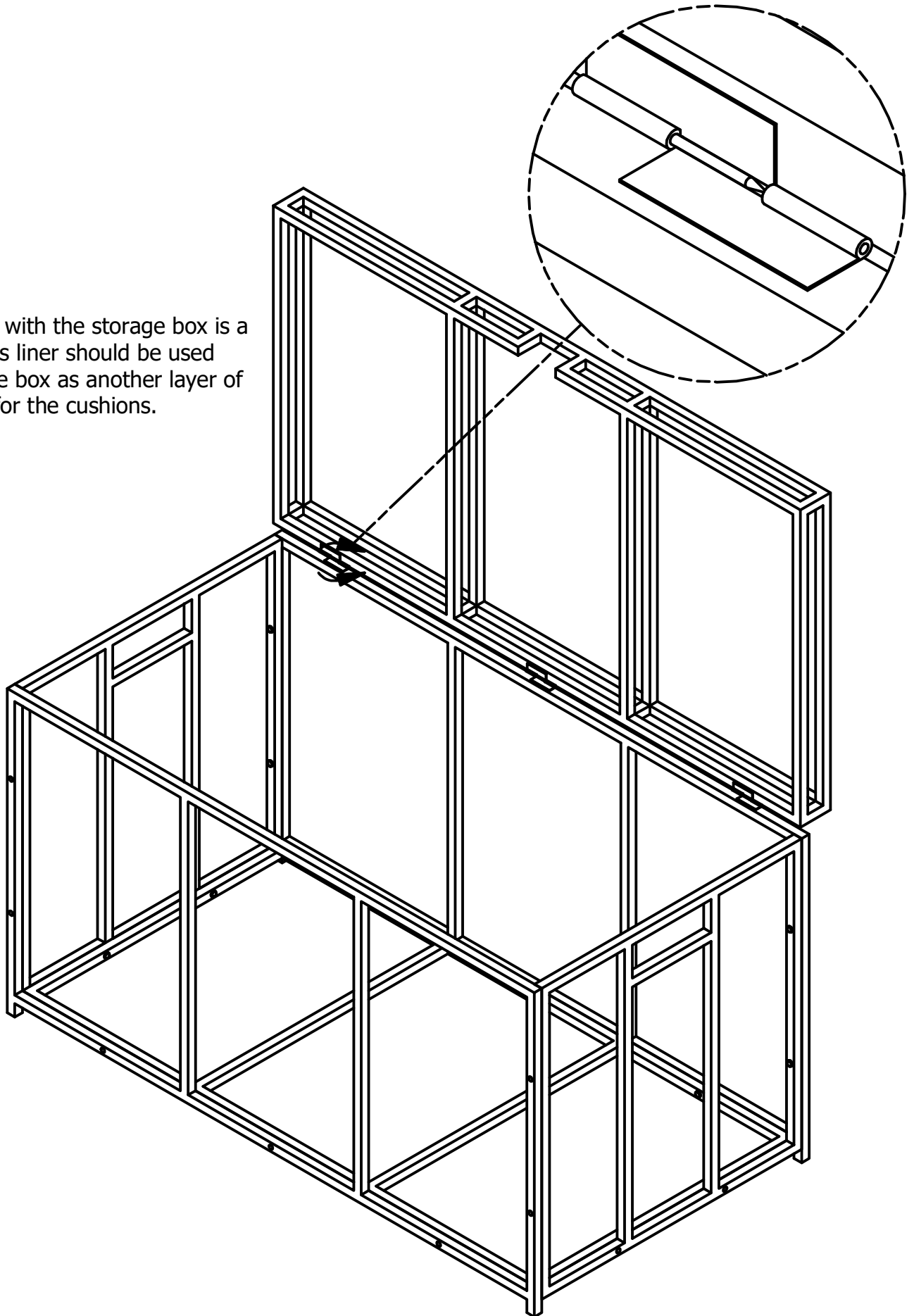
PNboxL Assembly Instructions



3. Attach the back piece to the partially assembled storage box. The back has part of the hinge assembly attached on the top side.

PNboxL Assembly Instructions

Included with the storage box is a liner. This liner should be used inside the box as another layer of storage for the cushions.



4. Lastly, get the top piece and slide the hinge assembly together from the top piece into the back piece.

