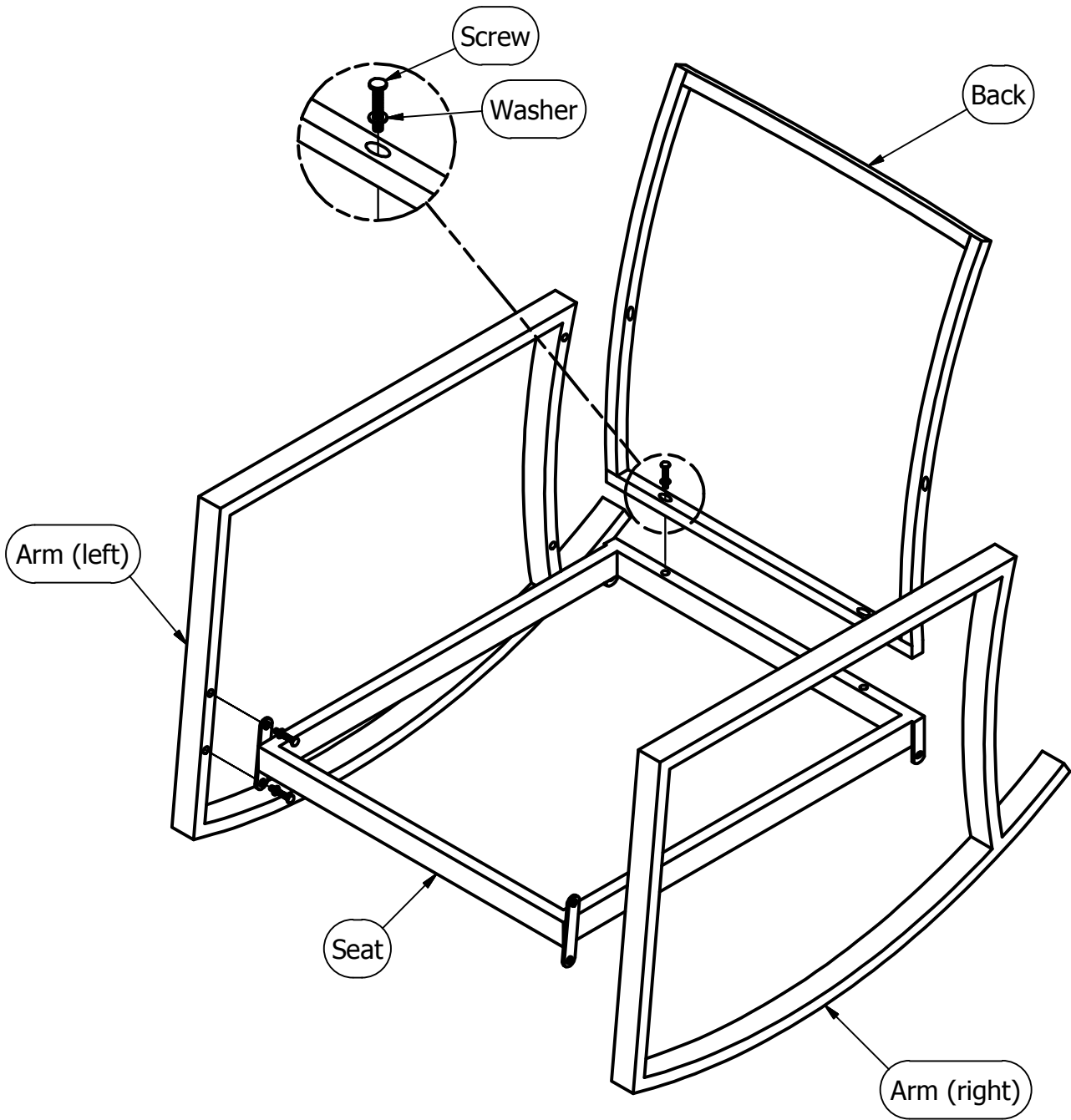


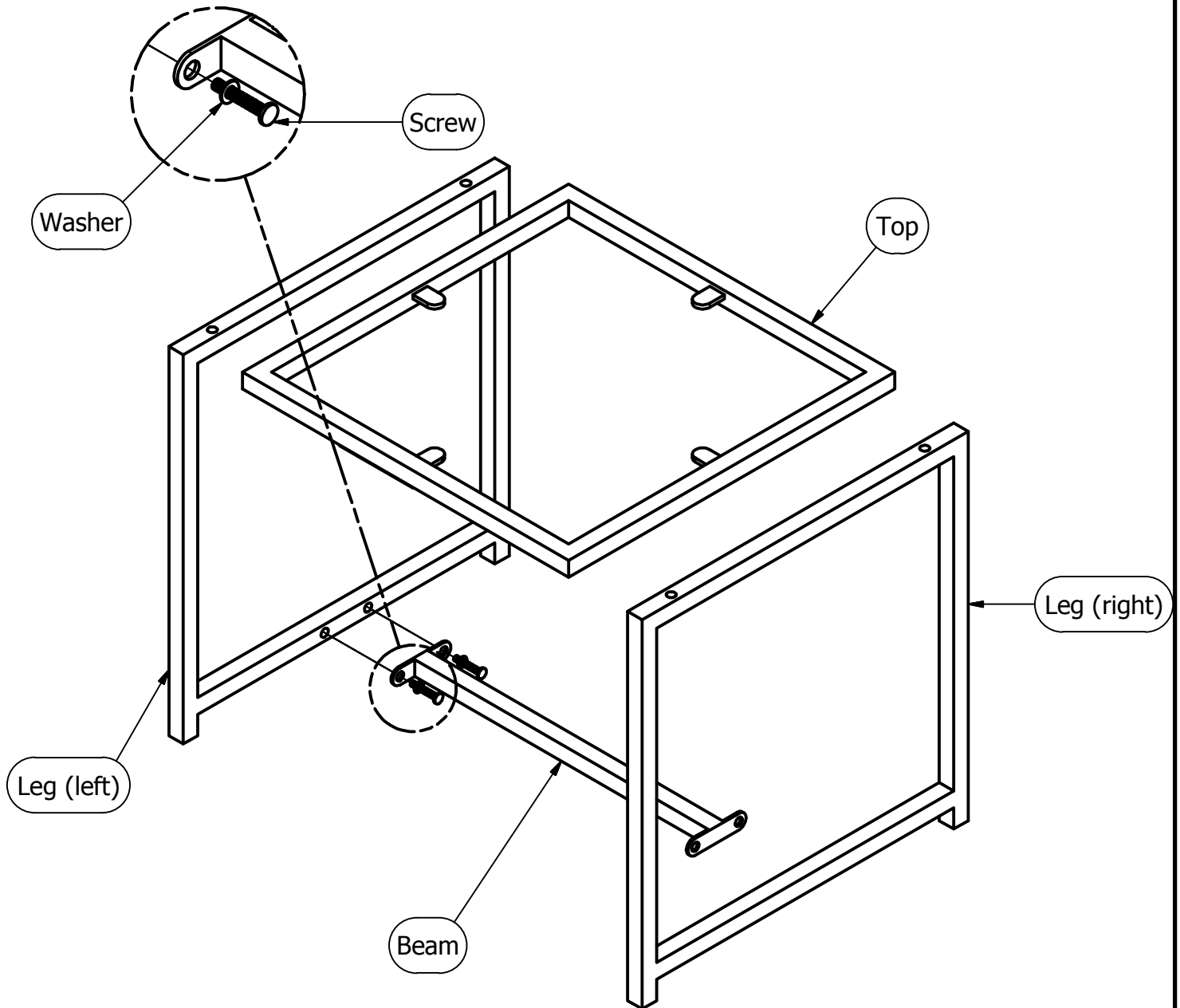
PNR2040 Rocking Chair Assembly Instruction



PART NUMBER	QTY
PNR2040 arm (left)	1
PNR2040 arm (right)	1
PNR2040 back	1
PNR2040 seat	1
Screw	10
Washer	10

Use the provided screws, washers, and allen key on all screw holes to assemble the chair.

PNR2016 Coffee Table Assembly Instruction



PART NUMBER	QTY
PNR2016 top	1
PNR2016 beam	1
PNR2016 leg (left)	1
PNR216 leg (right)	1
Screw	8
Washer	8

Use the provided screws, washers, and allen key on all screw holes to assemble the chair.