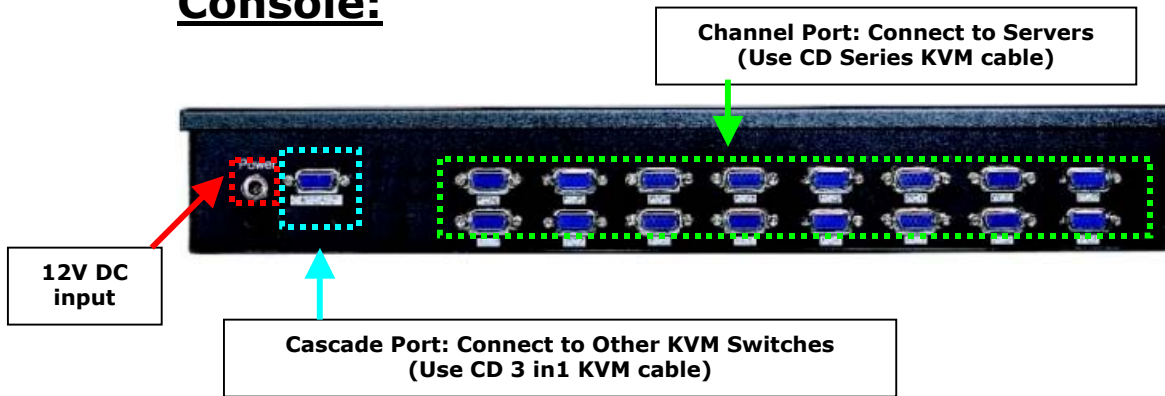


Monitor Keyboard KVM Switch Cascade

Rear View of Monitor Keyboard 16-ports KVM Console:



- 12V DC input:** To connect to the external power adapter
Cascade port: To connect another KVM switch
Channel Port: To connect the PS/2 Keyboard & Mouse and VGA on the PC side
To use the one plug connection cable between KVM & PC

Monitor Keyboard Console Cascade to other KVM Switches:

Using 3 in 1 KVM cable connect from **Bank 1's "Cascade port"** to **Bank 2's "Console port"**. After connected please press "Bank" & "Channel" button on the front of the KVM switch to reset the KVM switch

Bank 1 (Monitor Keyboard Mouse 16-ports KVM Console)



Use CD KVM Cable

Bank 2 (Individual KVM switch)



Console Port

Use CA KVM Cable

Bank 3 (Individual KVM switch)



Use CA KVM Cable

Bank 8 Max. (Individual KVM switch)



Cascade Level Max. Level

- Max. PC connection is 128(all using 16 ports)
- All KVM Switch is compatible and can cascade with each other
- Using 3 in 1 KVM cable to cascade
- Normal distance from one KVM to another is 15ft