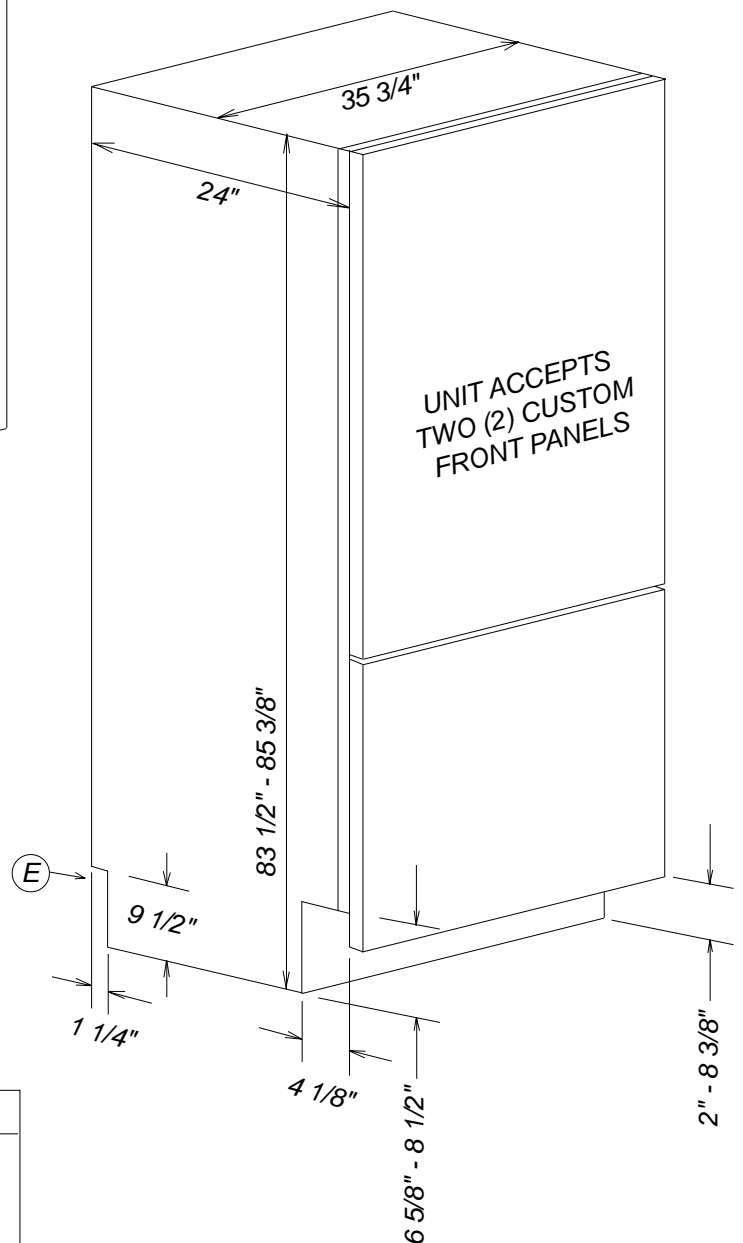
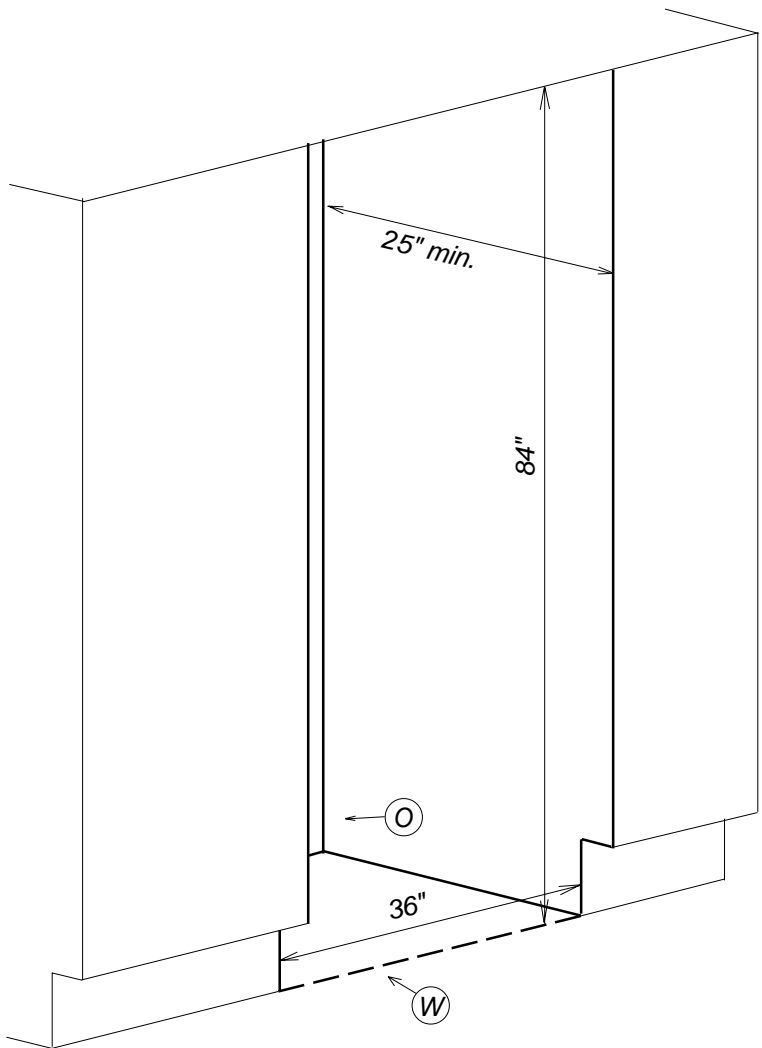


Product and Cut-out Dimensions KF1911Vi / KF1901Vi



Location Codes
<i>E</i> - 5 foot - 120 Volt - 15 Amp 3-wire molded plug power supply connects lower left rear.
<i>O</i> - Standard NEMA 5-15 Outlet - locate less than 9" above finished floor
<i>W</i> - 1/4" flexible water line - tape to floor
Notes
• All Installations must be done in accordance with local codes

NOTE: Drawing is not to scale.
SPECIFICATION SHEETS 010707

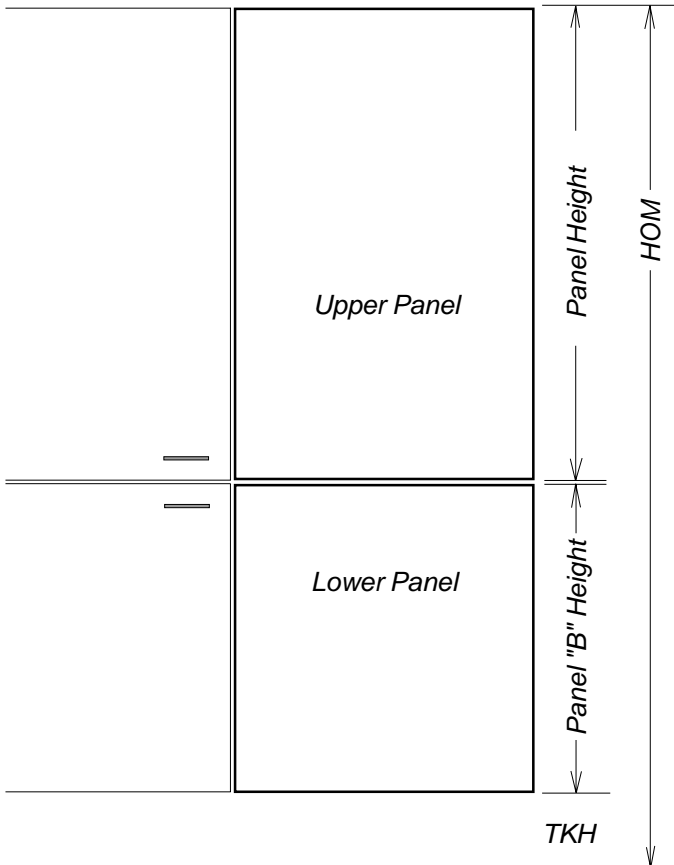
Front Panel Information Fully Integrated Model



Custom Panel Installations

These units do not come equipped with a front panel. They are designed to accept a custom door panel supplied by the cabinet maker. Miele has a unique panel integration system which allows the panels to align with the surrounding cabinets.

Panel size is determined in the following manner:



Width: 35 3/4" in all cases
Thickness: Minimum 3/4" outside frame

Standard Upper Panel Height: 53 5/16"

Note: Panel may extend above unit.
 This is **not** considered in height calculation

Maximum panel weight: 200 Pounds

Lower Panel Height: Use the following calculation:

$$\text{Panel Height} = \text{HOM} - 53 \frac{9}{16} - \text{TKH}$$

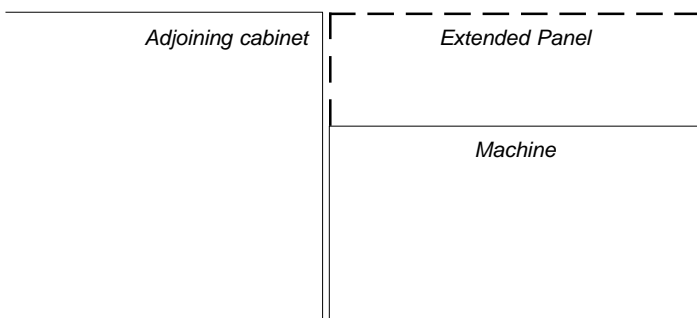
HOM = Total height of machine. Can be adjusted to match adjoining cabinets - **typically 84"**
 HOM is adjustable between 83 1/2" - 85 3/8"

TKH = Toe-kick height (2" - 8 3/8")

Maximum panel weight: 100 Pounds

Upper Panel Notes

If the adjoining cabinets are taller than the height of machine (HOM) - the upper panel may be extended accordingly. Find the difference between height of the adjoining cabinets and the height of machine (HOM) and add to 53 5/16"



Example:
 Adjoining cabinet height: 87"
 Height of machine: 84"
 Difference: 3"
 Extended panel height: 56 5/16"

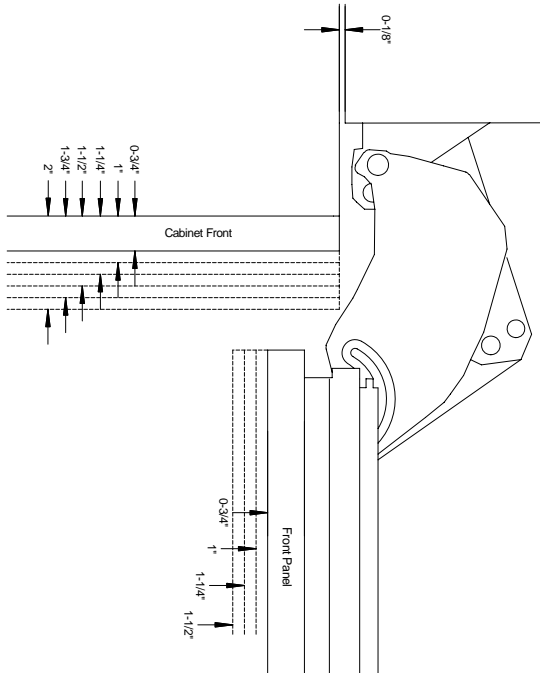
Front Panel Information

Hinging Details

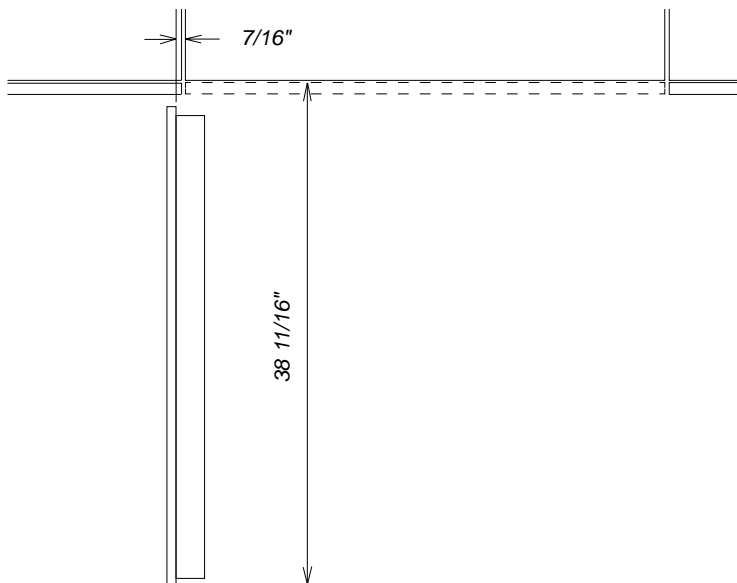


90° Door

Thickness options



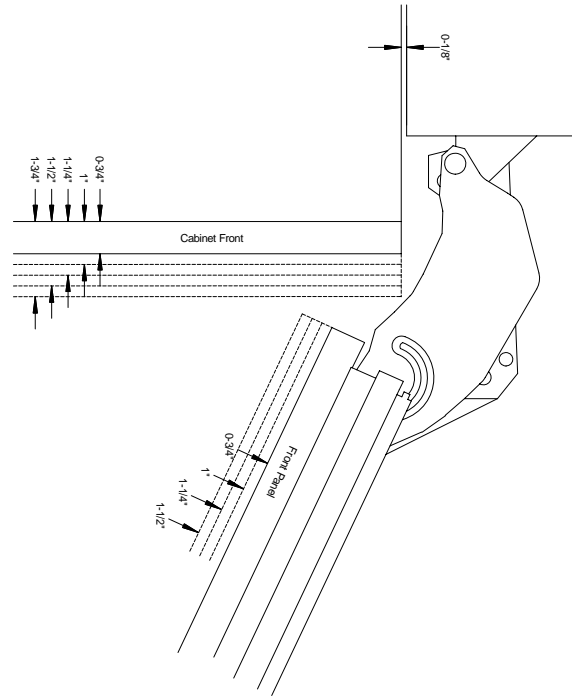
Door Swing



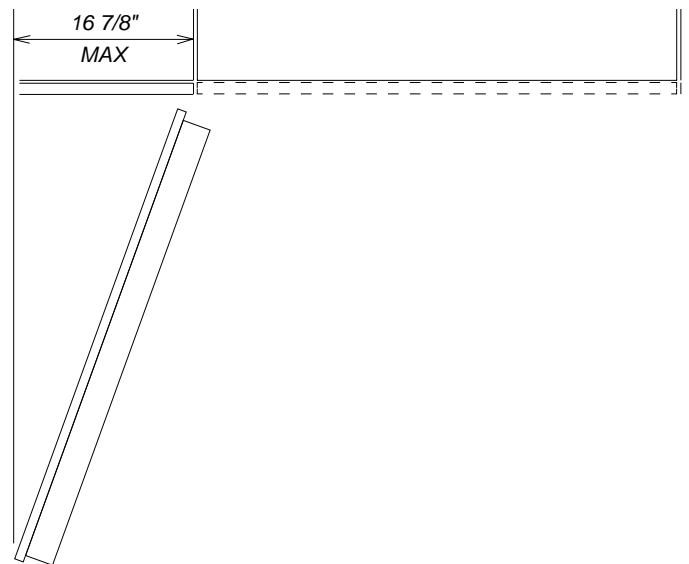
NOTE: Additional space needed depending on thickness of front panels and handle used

115° Door

Thickness options



Door Swing



NOTE: Additional space needed depending on thickness of front panels and handle used