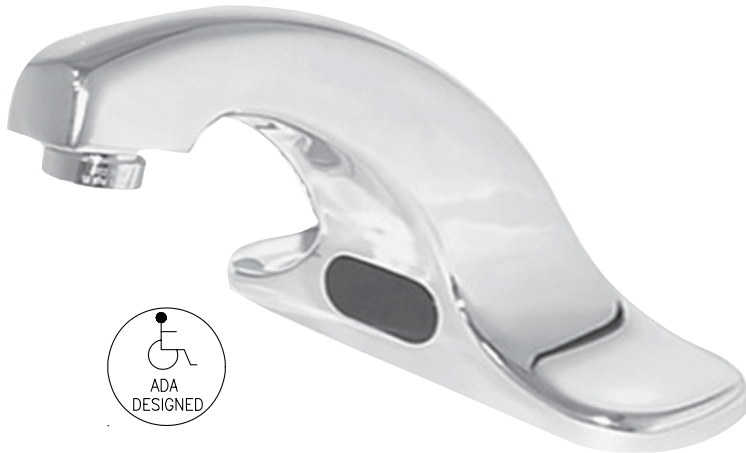




PO Box 1376 • Easton, PA 18044  
 Phone: 866-253-0102 Fax: 484-944-1590  
 www.usalandlord.com • Certified WBE Company



# AquaSense Sensor Faucet



## Suffix Options (Check/Specify Appropriate Options)

- \_\_\_\_\_ -F .5 GPM Vandal Resistant Aerator
- \_\_\_\_\_ -GEN Hydro Generator
- \_\_\_\_\_ -IA3 Inlet Adaptor (3/8"[10] compression)
- \_\_\_\_\_ -J 1.5 GPM Laminar Flow Control
- \_\_\_\_\_ -K 1.0 GPM Laminar Flow Control
- \_\_\_\_\_ -L 1.0 GPM Vandal Resistant Aerator
- \_\_\_\_\_ -MJ Mini Junction Box
- \_\_\_\_\_ -MT Mixing Tee
- \_\_\_\_\_ -MV Temperature Mixing Valve
- \_\_\_\_\_ -PB Polished Brass PVD Finish
- \_\_\_\_\_ -SH Supply Hoses for Mixing Valve
- \_\_\_\_\_ -SSH Single Supply Hose
- \_\_\_\_\_ -TMV Thermostatic Mixing Valve for Multiple Faucets
- \_\_\_\_\_ -TMV-1 Thermostatic Mixing Valve for Single Faucets
- \_\_\_\_\_ Other

## Z6915 AquaSense Battery Powered Faucet

**ENGINEERING SPECIFICATION:** The Z6915 sensor faucet is a battery powered sensor faucet with an integral four inch cover plate for retrofit and new construction. The faucet incorporates an infrared convergence-type proximity sensor into the chrome plated cast brass spout. The faucet is furnished complete with sensor module, spout module and in-line filter, 4 "AA" batteries, a 1.5 GPM vandal resistant aerator and an inlet for a 1/2"[13] ball riser supply hose. Sensor range is factory set for optimum performance.

## Z6915-ACA AquaSense Plug-In Powered Faucet

**ENGINEERING SPECIFICATION:** The Z6915-ACA sensor faucet is a plug-in powered electronic sensor faucet with an integral four inch cover plate for retrofit and new construction. The faucet incorporates an infrared convergence-type proximity sensor into the chrome plated cast brass spout. The faucet is furnished complete with sensor module, spout module, in-line filter, a 1.5 GPM vandal resistant aerator, 6 VDC plug-in power converter and an inlet for a 1/2"[13] ball riser or supply hose. Also included are 4 'AA' batteries that provide battery backup power to the faucet during power outages. Sensor range is factory set for optimum performance.

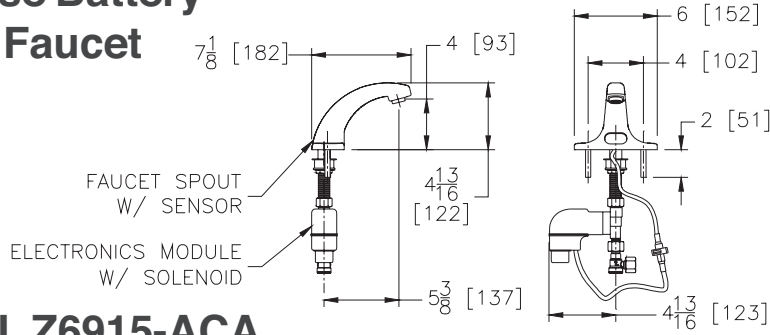
## Z6915-CWB AquaSense Hardwire Powered Faucet

**ENGINEERING SPECIFICATION:** The Z6915-CWB sensor faucet is a hardwired electronic sensor faucet with an integral four inch cover plate for retrofit and new construction. The faucet incorporates an infrared convergence-type proximity sensor into the chrome plated cast brass spout. The faucet is furnished complete with sensor module, spout module, in-line filter, a 1.5 GPM vandal resistant aerator, connecting wire to power converter and an inlet for a 1/2"[13] ball riser or supply hose. Also included are 4 'AA' batteries that provide battery backup power to the faucet during power outages. Sensor range is factory set for optimum performance.

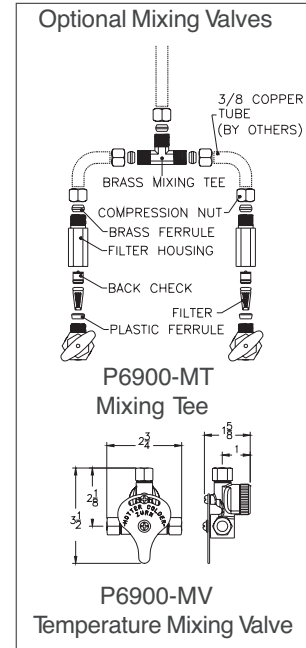
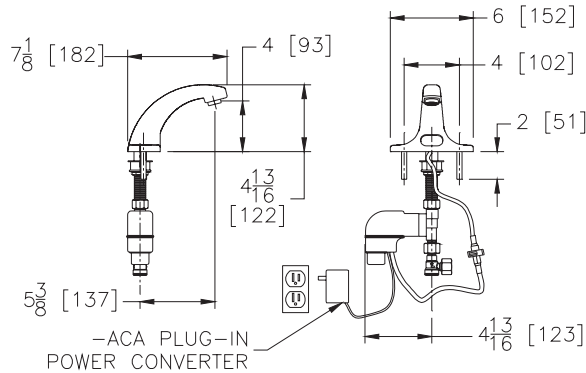
**NOTE:** For Hardwire applications furnish P6000-HW6 power converter. The P6000-HW6 will power up to 8 sensor faucets. Order P6000-HW6 power converter separately.

All polished brass (PVD) products come with a limited lifetime warranty on the finish.

## TYPICAL Z6915 AquaSense Battery Powered Faucet

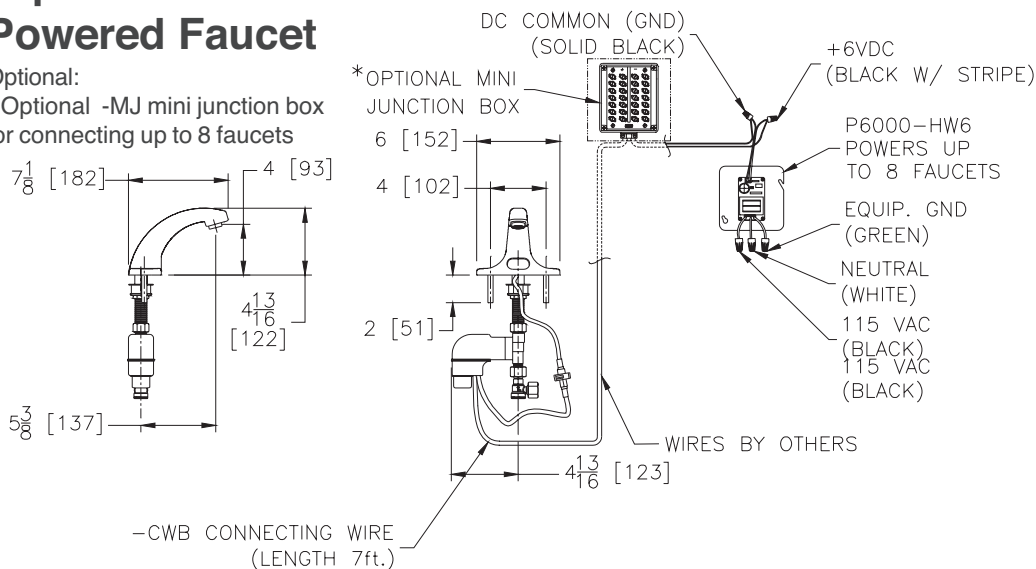


## TYPICAL Z6915-ACA AquaSense Plug-In Powered Faucet



## TYPICAL Z6915-CWB AquaSense Hardwire Powered Faucet

Optional:  
\* Optional -MJ mini junction box for connecting up to 8 faucets



**NOTE: MUST USE EITHER ZURN P6000-HW6 HARDWIRE POWER CONVERTER OR ZURN P6000-PC6 PLUG-IN POWER CONVERTER TO ENSURE PROPER OPERATION. USING A POWER CONVERTER OTHER THAN ZURN MAY RESULT IN OPERATION MALFUNCTION OR UNIT FAILURE.**