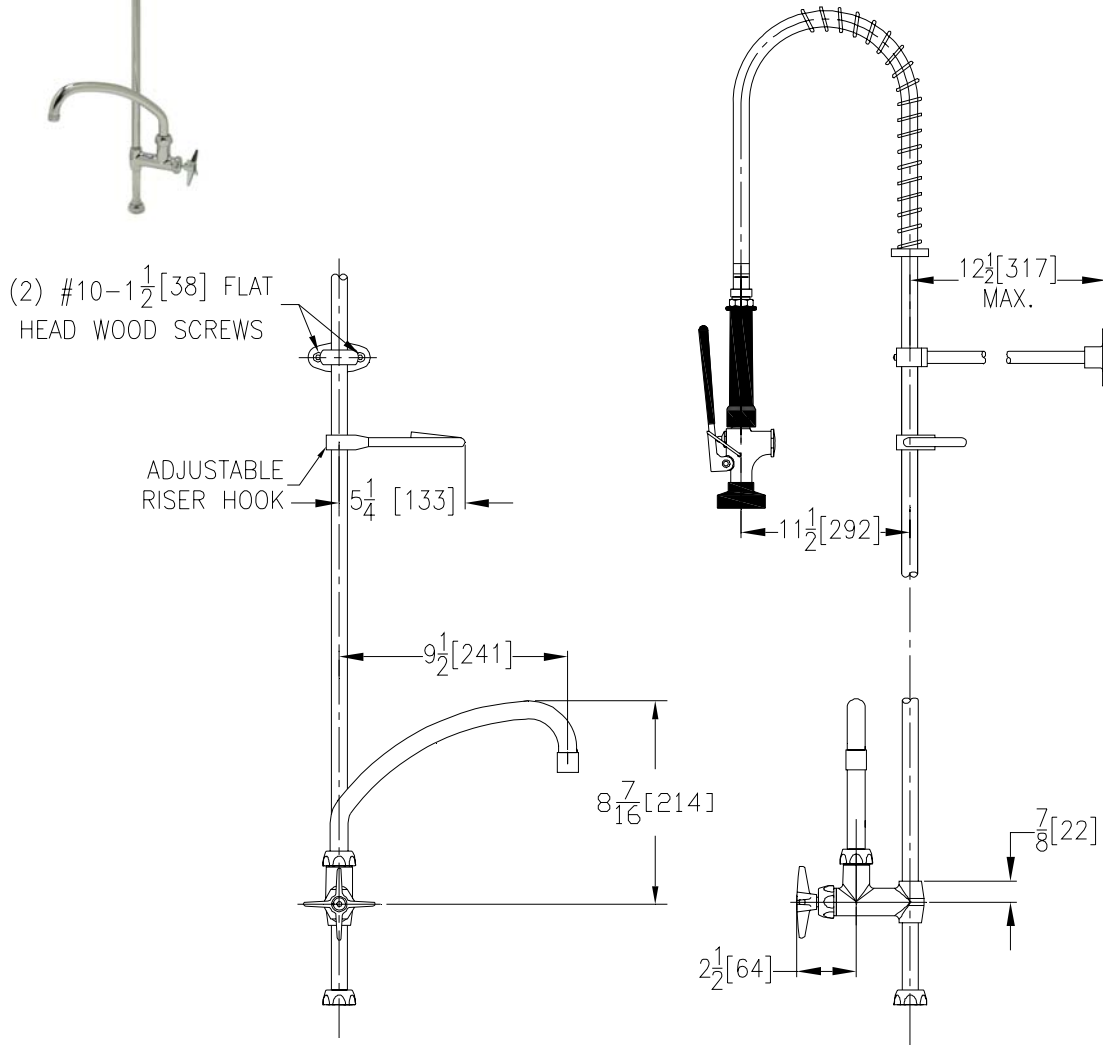




Engineering Specifications: Zurn AquaSpec® Z800X0-AF-PR1

Pre-rinse hose assembly furnished with a 24" [610mm] riser with a 36" [914mm] stainless steel spring hose, a self-closing 1.24 GPM @ 60 psi (4.7 l/min. @ 400 kPa) pre-rinse hand held valve with an insulated handle, a stay open clip, a protective bumper spray head, a pipe support, hose hook, a single valve Adapta faucet with a 9-1/2" [241mm] tubular brass swing spout and a single screen outlet.



Note: All dimensions are for reference only. Do not use for pre-plumbing

OPTIONAL ACCESSORIES

Suffix	Description
___ -HCT	Hot/Cold Text Indexes
___ -PR2	Pre-rinse with Angle Spray Head, Rubber Bumper Spray Outlet and Self-closing Valve
___ -PR3	Pre-rinse with Angled Aerated Outlet and Self-closing Valve
___ -PR6	Self-Closing Pre Rinse Valve, Straight Nozzle with Diffuser

ZURN INDUSTRIES, LLC. ♦ COMMERCIAL BRASS OPERATION ♦ 2640 SOUTH WORK STREET ♦ FALCONER NY 14733

Phone: 1-716-665-1132 ♦ Fax: 1-716-665-1135 ♦ World Wide Web: www.zurn.com

In Canada: ZURN INDUSTRIES LIMITED ♦ 3544 Nashua Drive ♦ Mississauga, Ontario L4V1L2 ♦ Phone: 905/405-8272 Fax: 905/405-1292