



Zurn Z5795

Waterless Urinal

Installation, Operation, Maintenance
and Parts Manual

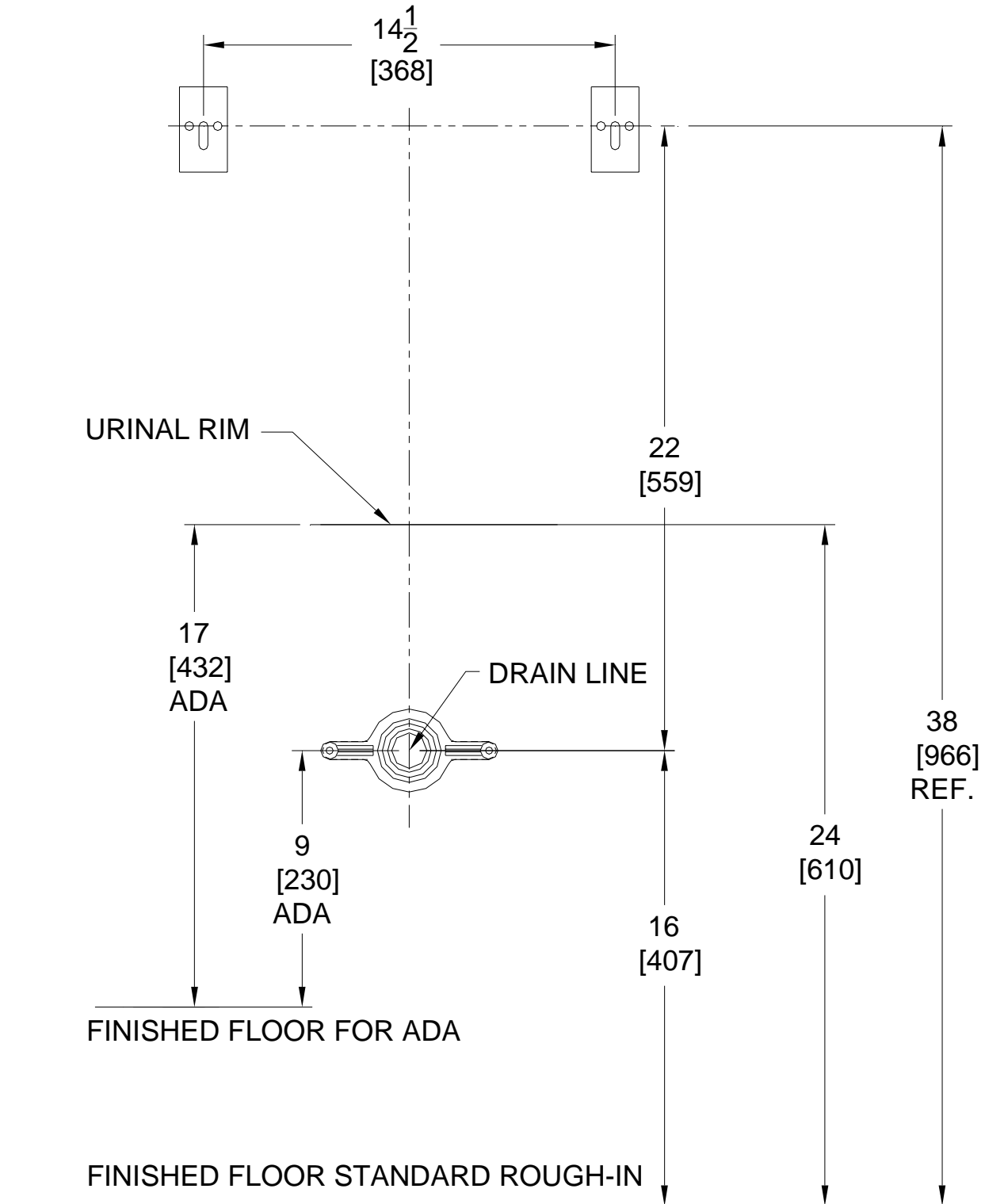
Z5795
Waterless Urinal



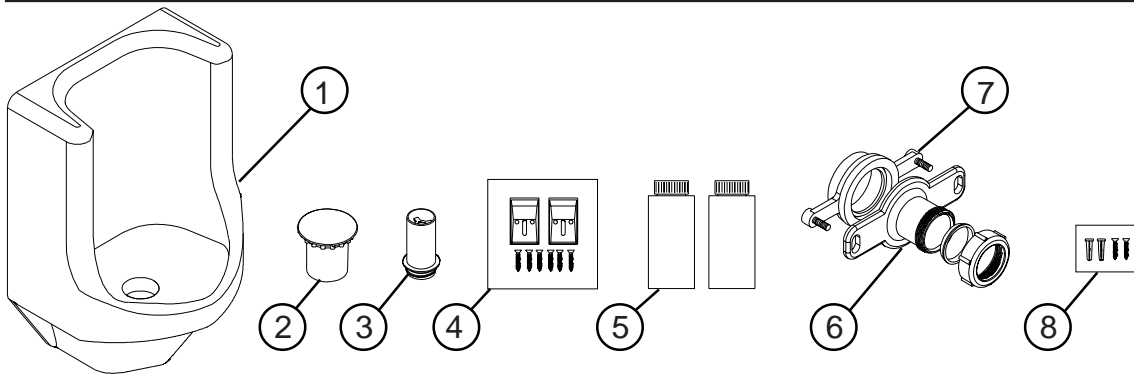
LIMITED WARRANTY

All goods sold hereunder are warranted to be free from defects in material and factory workmanship for a period of three years from the date of purchase. Decorative finishes warranted for one year. We will replace at no costs goods that prove defective provided we are notified in writing of such defect and the goods are returned to us prepaid at Sanford, NC, with evidence that they have been properly maintained and used in accordance with instructions. We shall not be responsible for any labor charges or any loss, injury or damages whatsoever, including incidental or consequential damages. The sole and exclusive remedy shall be limited to the replacement of the defective goods. Before installation and use, the purchaser shall determine the suitability of the product for his intended use and the purchaser assumes all risk and liability whatever in connection therewith. Where permitted by law, the implied warranty of merchantability is expressly excluded. If the products sold hereunder are "consumer products," the implied warranty of merchantability is limited to a period of three years and shall be limited solely to the replacement of the defective goods. All weights stated in our catalogs and lists are approximate and are not guaranteed.

Z5795 Urinal Rough-in



Package Contents:

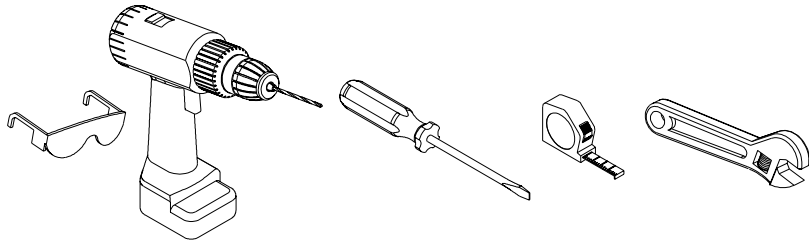


1. Z5795 China Urinal
2. Strainer
3. Bell Trap and Bell Trap O-ring
4. Hanging Hardware
5. AquaGreen™ Sealant (2)
6. Drain Line Yoke Assembly
7. Brass Drain Line Flange Assembly
8. Wall Anchors

Required Before Installation:

Tools Recommended:

- Safety glasses
- Drill
- Screwdriver
- Tape measure
- Adjustable Wrench



New construction:

- Drain line complete and leak free, roughed-in per urinal rough-in dimensions.
- Refer to Installation.

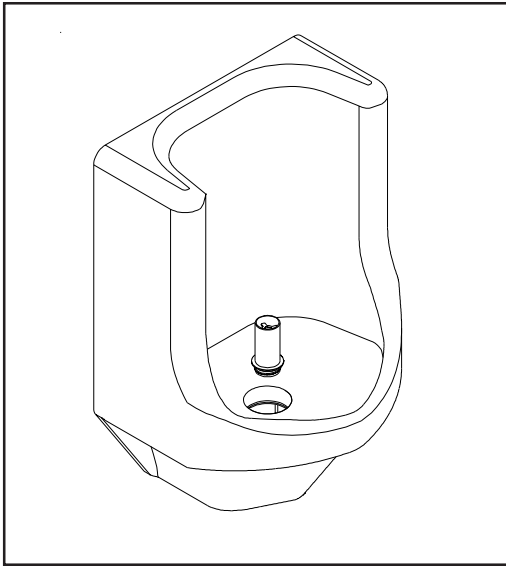
Replacing a Urinal:

- Shut off water supply before removing supply stop.
- Verify there is enough room to mount the new fixture.
- Remove existing flush valve, fixture, and wall hanger brackets. Existing drain line flange can be reused if appropriate.
- Cap off or remove water supply line.
- Clean wall of any caulk, grout or dirt remaining from the old urinal.
- Remove all traps or conventional siphons.
- Make sure drain line is complete and leak free.

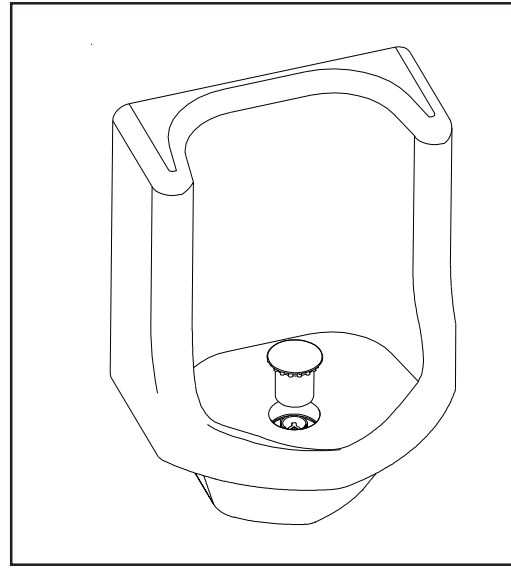
Installation:

- Mark and mount wall brackets at locations per rough-in drawing, a Zurn carrier system Z1222 is recommended. Make certain there is adequate structural support to withstand the weight of the urinal.
- Attach brass drain line flange (item 7) to drain line.
- Install drain line yoke w/ supplied nut and ferrule (item 6) to outlet tube of urinal.
- Hang urinal on wall brackets
- Adjust and attach flanged drain line yoke assembly (item 6) w/ foam gasket to the brass drain line flange fitting (item 7) and tighten to studs.
- Tighten compression fitting nut and ferrule.
- Secure urinal to wall with wall anchors (item 8).

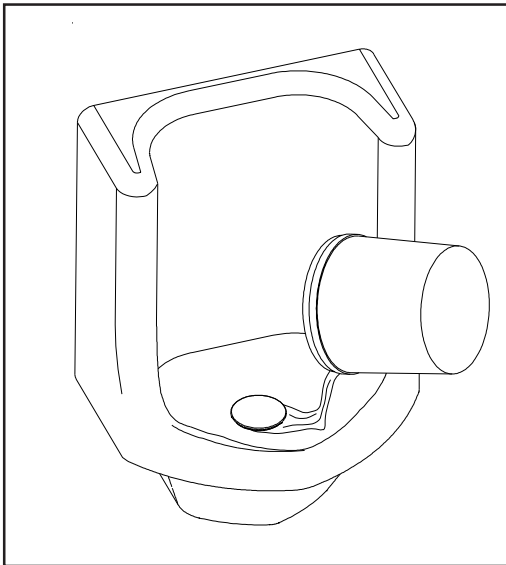
Setup



1.) Insert bell trap with o-ring (item 3) into urinal and turn clockwise to tighten. *Do not overtighten.*



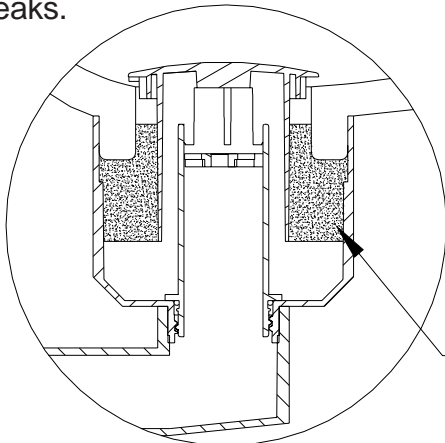
2.) Install strainer (item 2) on to bell trap.



3.) Fill trapway with approximately 1 quart of water. Check drain line connections for leaks.



4.) Pour 4 oz. of Zurn AquaGreen™ urinal sealant, into trapway.



Zurn AquaGreen™ sealant

5.) **** Important **** Do not remove the strainer once Zurn AquaGreen™ sealant is in the trapway. Removal of the strainer will result in the loss of the sealant and reduce the life of the sealant.

Maintenance Schedules

Recommended Daily Maintenance



1.) Recommended daily maintenance of the Zurn Z5795 urinal suggests wiping the walls of the urinal with a mild soap and water. Avoid dumping aggressive cleaners and/or large amounts of liquids down the urinal drain. Doing so may deplete the *AquaGreen™* sealant and allow sewer gases to back up into the restroom.

Recommended Periodic Maintenance Every 3,000 uses)



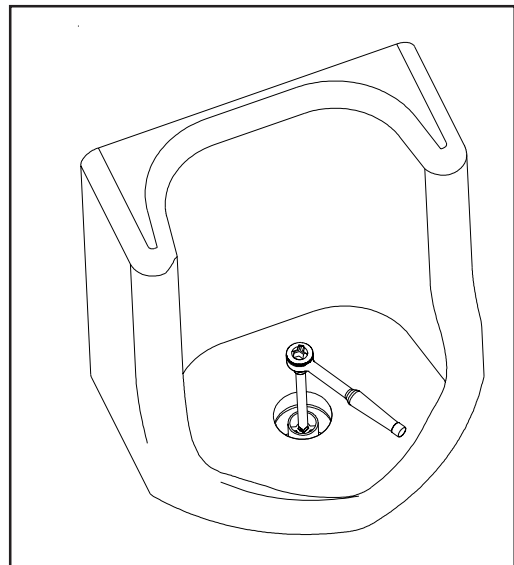
1.) It is critical that a layer of Zurn *AquaGreen™* urinal sealant be maintained at all times. To keep the Zurn Z5795 urinal functioning properly and odor free, add 3 to 4 ounces of Zurn *AquaGreen™* sealant to the trap after every 3,000 uses.

Trap Cleaning

Recommended Periodic Trap Cleaning (Every 9,000 Uses)



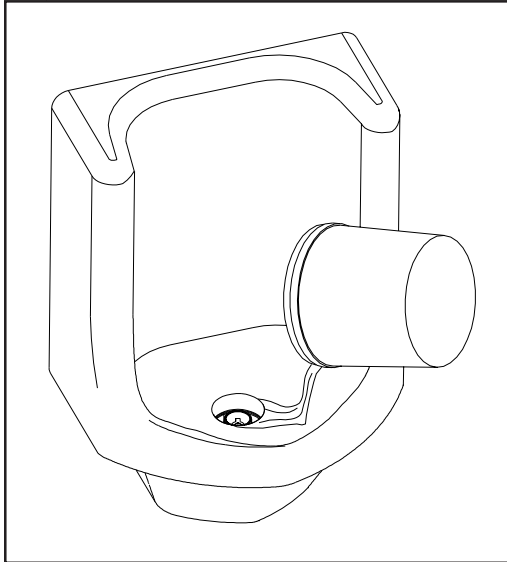
1.) Remove strainer from urinal.



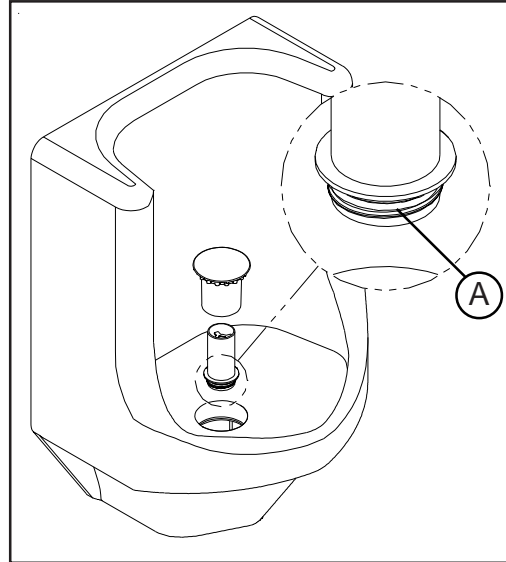
2.) Unscrew and remove bell trap. If the bell trap will not loosen by hand, use a 3/8" ratchet and extension, turning counter-clockwise to remove.

Cleaning (Continued)

Recommended Periodic Trap Cleaning (Every 9,000 Uses)



3.) Clean strainer, bell trap and trapway with mild soap and water.
**** Important **** Do not use heavy cleaners or detergents.
 Pour two to three gallons of warm water down drain hole to flush urinal trapway and drain line.



4.) Check o-ring (A) on bell trap. Replace if needed. Reinstall bell trap with o-ring. Tighten snug with 3/8" ratchet and extension turning clockwise. Be careful not to overtighten.
 Install strainer and refill trapway with approximately 1 quart of water. Check assembly for leaks. Add 4 ounces of Zurn AquaGreen™ sealant to the trapway.

Troubleshooting

PROBLEM	CAUSE	REMEDY
Strong odor is emanating from urinal.	1.) AquaGreen™ sealant is depleted. 2.) O-ring seal is not adequate on bell trap or bell trap is not screwed in properly. 3.) AquaGreen™ sealant is depleted. 4.) Urine pathway is blocked with sediment.	1.) Add 3-4 ounces of AquaGreen™ sealant 2.) Replace o-ring and/or screw bell trap properly reassemble and refill trapway with approximately 1 quart of water and 4 oz. of sealant. 3.) Add 3 to 4 oz. of Zurn AquaGreen™ sealant to trapway. 4.) Perform periodic trap cleaning procedure. See trap cleaning on page 5.