



PO Box 1376 • Easton, PA 18044
 Phone: 866-253-0102 Fax: 484-944-1590
 www.usalandlord.com



Z5798 “The Pint™” 0.125 gpf Top Spud Ultra Low Consumption Urinal System

Z5798 Series – “The Pint™”

- Zurn One ultra low consumption urinal system designed for optimal performance between Zurn fixture and Zurn flush valve to save water while exceeding industry performance standards.
- 1/8 gpf [0.5 Lpf]
- Over 85% water savings over standard 1.0 gpf [4.0 Lpf] system
- Pressure compensating internal flow regulator
- Oversized footprint to make retrofit easy
- Vitreous china
- High efficiency washout flushing action
- 3/4" top spud
- 2" I.P.S. outlet flange and rubber gasket with integral trap
- 14" extended rim height for handicap compliance when installed at proper height
- Shipping Weight: 72 lbs.



Z5798 Series 1/8 gpf “The Pint” EcoVantage™ flush valve urinal system.

Engineering Specification

- Z5798.205.00 EcoVantage™ High Efficiency Battery-Powered Sensor Urinal System
 System comes complete with sensor-operated, battery-powered exposed ZEG6003EV high efficiency flushometer valve, control stop assembly, and vitreous china urinal. The system is designed to perform to industry standards with as little as 1/8 gallon per flush. Valve is operated by an infrared convergence-type proximity sensor with smart technology, powered by 4“AA” batteries. Valve features an internal flow regulator to maintain constant flow rates independent of line pressures. Vitreous china urinal is supplied with 3/4" top spud, 2" outlet connection, and strainer assembly.
- Z5798.206.00 EcoVantage™ High Efficiency Hardwired Sensor Urinal System
 System comes complete with sensor-operated, hardwired exposed ZEG6003EV-HW high efficiency flushometer valve, control stop assembly, and vitreous china urinal. The system is designed to perform to industry standards with as little as 1/8gallon per flush. Valve is operated by an infrared convergence-type proximity sensor with

smart technology, powered by 6VDC plug-in or hardwired power converter. Valve features an internal flow regulator to maintain **constant flow** rates independent of line pressures. Vitreous china urinal is supplied with 3/4" top spud, 2" outlet connection, and strainer assembly.

Suffix Options

- UB Universal retrofit mounting bracket. Time saving urinal mounting bracket allows the urinal to be mounted to existing carrier studs and outlet piping without the need to make any adjustments behind the wall in most applications.

See Zurn One Systems for sug **ECO VANTAGE**

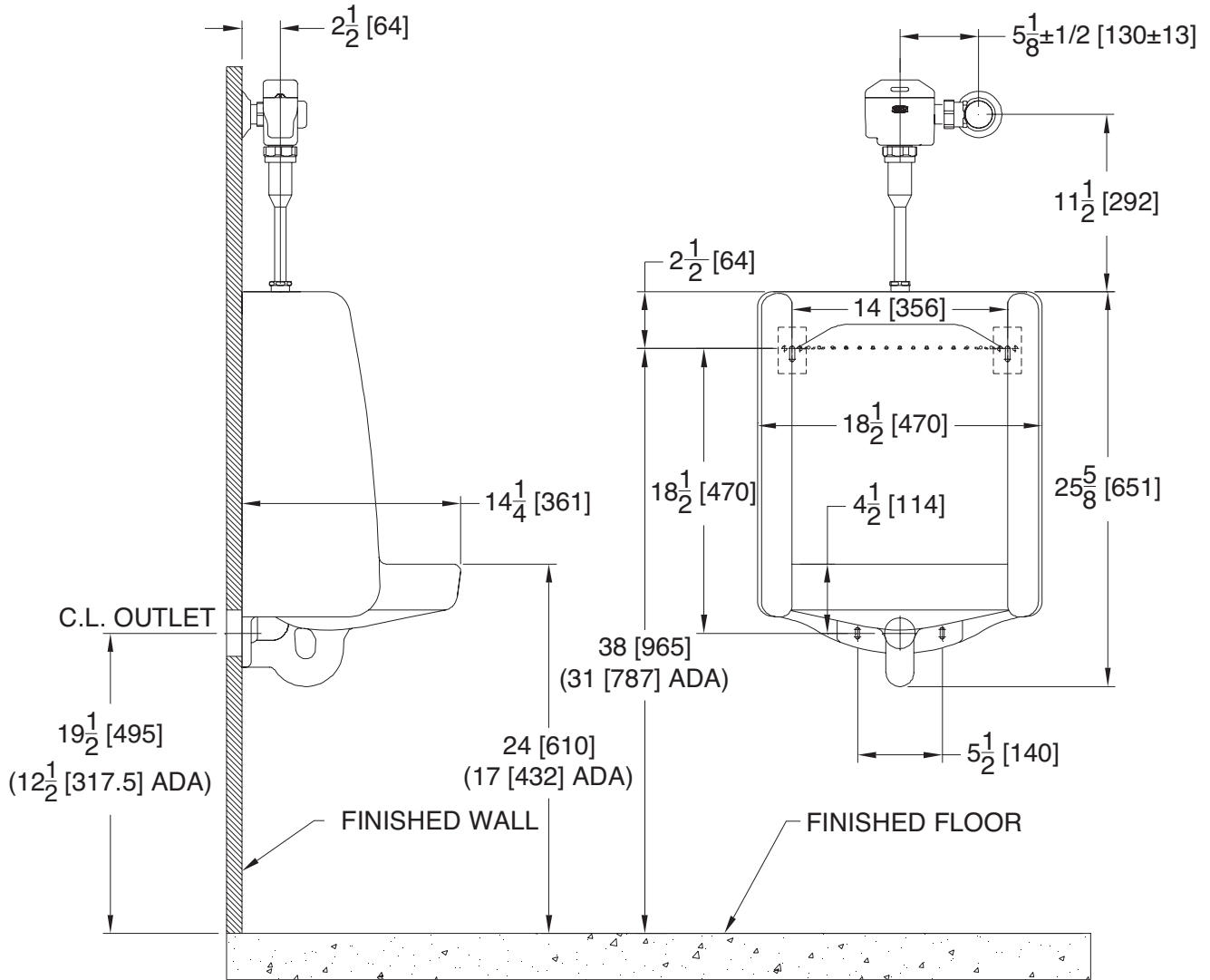
This Space is for Architectural/Engineering Approval



PO Box 1376 • Easton, PA 18044
Phone: 866-253-0102 Fax: 484-944-1590
www.usalandlord.com



Rough-in dimensions for Z5798 Series
*Z5798 with top spud



These dimensions and specifications are subject to change without notice.

Fixture dimensions meet ANSI/ASME standard A112.19.2-2003 and CAN/CSA B45 requirements.

Meets the American Disabilities Guidelines and ANSI A117.1 requirements when urinal is installed 17" [432 mm] from finished floor.



USA Landlord Conservation Products

PO Box 1376 • Easton, PA 18044 • Phone: 866-253-0102 Fax: 484-944-1590 • www.usalandlord.com