

# BA-5368/U

## Technical Datasheet



### Features

- High energy density
- No voltage delay
- Wide operating temperature range
- Lightweight
- Up to 10-year shelf life
- Long operating life
- Cells are hermetically sealed Ni-plated steel cans

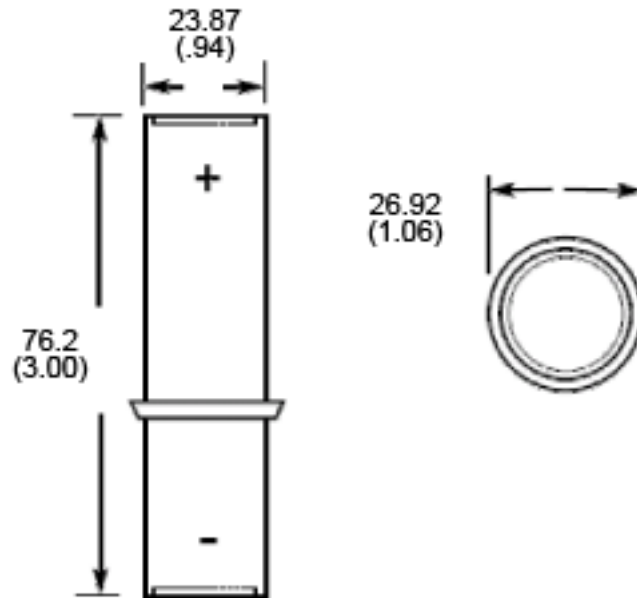
### Applications

- Consumer telematics
- Commercial telematics
- Search & rescue devices
- Military Communications, detectors and imaging
- Medical devices

### Technical Specifications

<b>Part No.</b>	UB2776
<b>NSN</b>	UB2776: 6135-01-631-4483 BA-5368/U: 6135-01-455-7947
<b>Voltage Range</b>	8.0 to 13.2V
<b>Average Voltage</b>	12.0V
<b>Nominal Capacity</b>	1.0Ah @ 40mA to 8.0V @ 23°C
<b>Max. Discharge</b>	320mA continuous
<b>Pulse Capability</b>	Up to 600mA Varies according to pulse characteristics, temperature, cell history and the application. Consult Ultralife.
<b>Weight</b>	76.0g
<b>Operating Temperature</b>	-40°C to 72°C
<b>Storage Temperature</b>	-40°C to 95°C
<b>Exterior/Housing</b>	Plastic sleeve
<b>Terminals/Connector</b>	Nickel plated contacts
<b>Safety</b>	Material Safety Datasheet - MSDS023 Safety Guide UBM-5135
<b>Transportation</b>	Exempted from regulations for packages with gross mass of 2.5kg or less (see note)
<b>Harmonized Tariff Code</b>	8506.50.0000
<b>Note</b>	A complete description of transportation regulations, lithium weights and transportation classifications is available on the Ultralife website.

## Dimensions



## Performance Graphs

