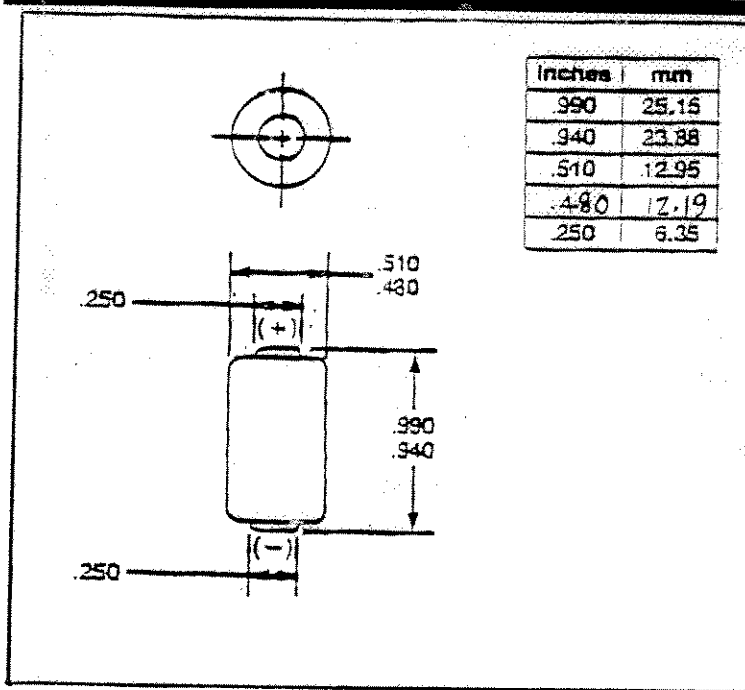


DURACELL®

PX28A

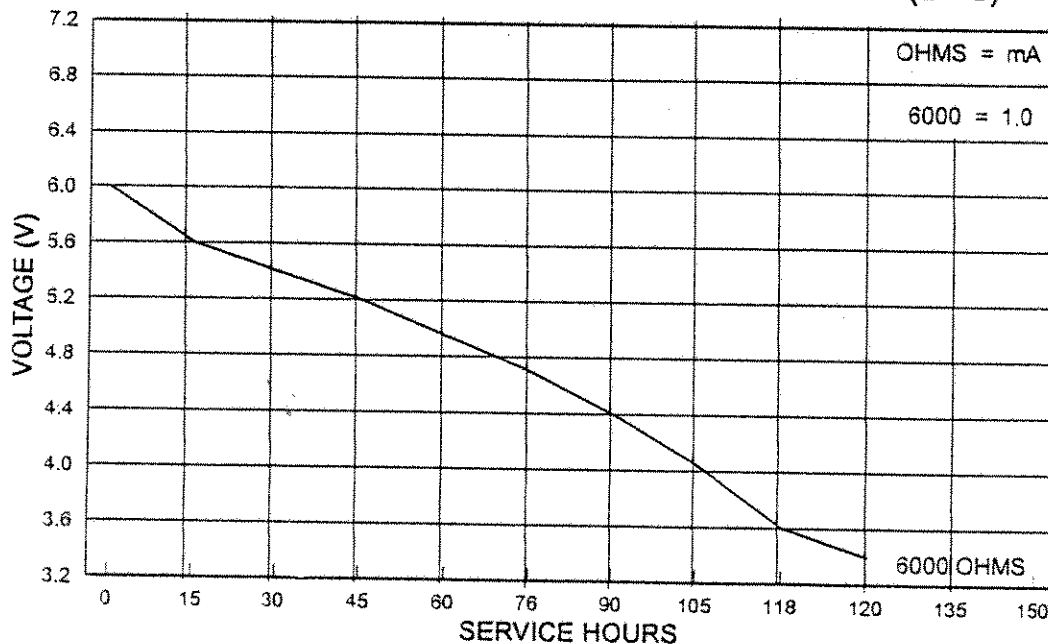
Alkaline Manganese Dioxide Battery



SPECIFICATIONS

Nominal Voltage:	6.0V
Rated Capacity:	100 mAh on 6,000 ohms to 3.6V at 70°F (21°C)
Average Weight:	11 gms.
Volume:	3.04 cm ³
Terminals:	Flat
Operating Temp. Range:	-10°F to 130°F (-23°C to 54°C)

TYPICAL DISCHARGE CHARACTERISTICS AT 70°F (21°C)



DURACELL INC.

Berkshire Industrial Park
Bethel, CT 06801 U.S.A.
Telephone: Toll-free 1-800-431-2656 (In CT, 203-796-4274)
Telex: 697-2165 DURTSUW

PRINTED IN U.S.A.

2/24/95
Bob Kilian