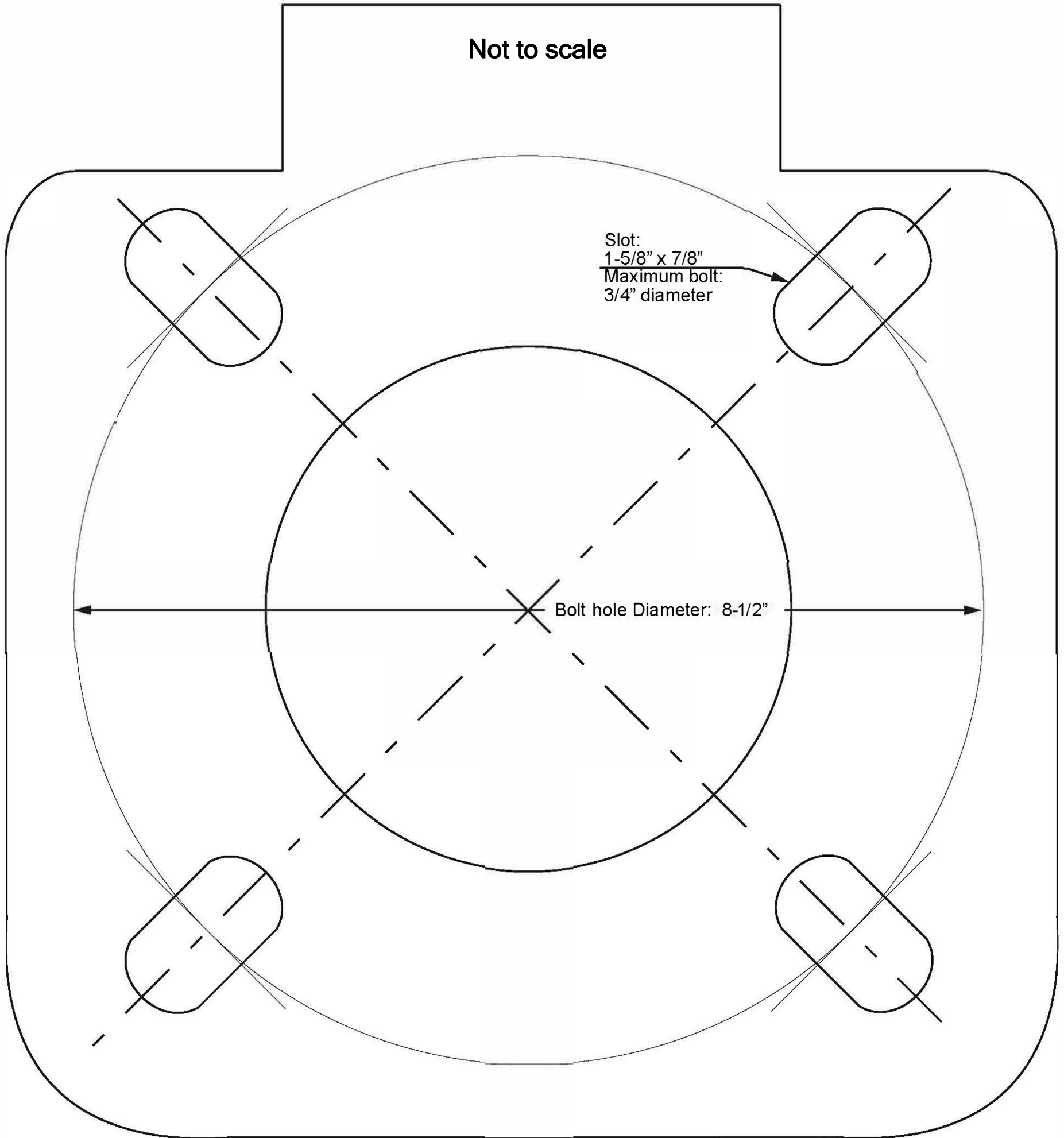


The Flagpole Company
221 N. Main St.
Brooklyn, MI 49230
800.805.9728
www.flagpolecompany

Tilting Shoe Base 4", 5", 6", Butt Dia. Drawing & Installation Instructions



Not to scale



Tiledown H2728 base: 4" - 5" - 6"
Butt diameter poles

The Flagpole Company

The Flagpole Professionals!



4" - 5" - 6" Tilt down Shoebase

Do not Scale

Revised: Nov 24th, 2020

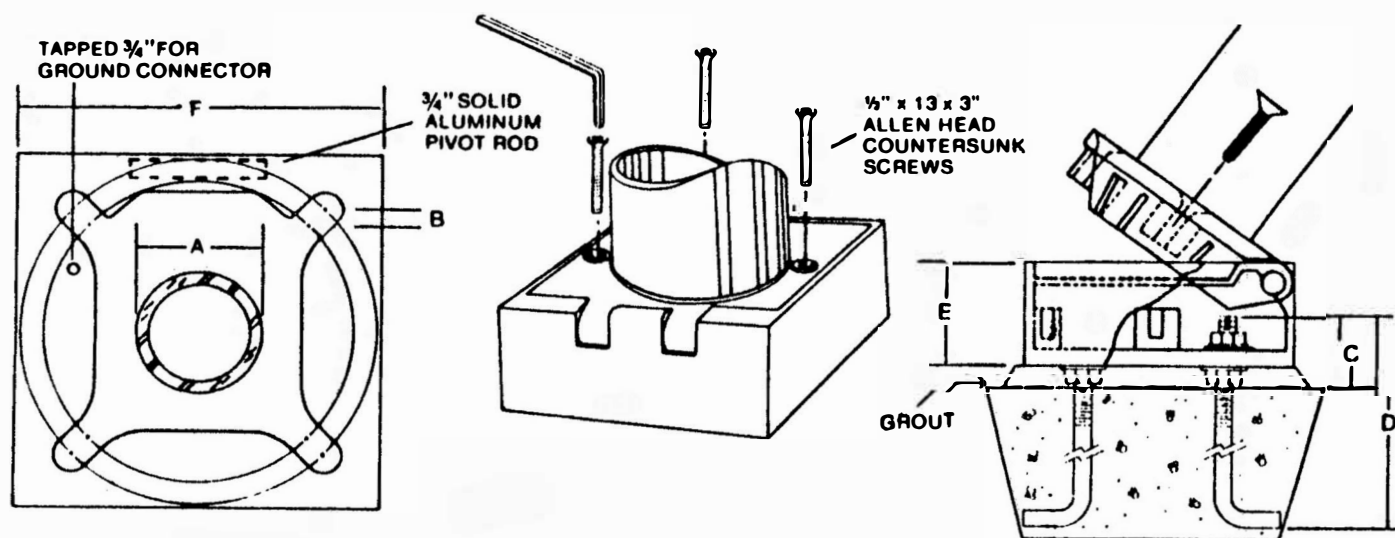
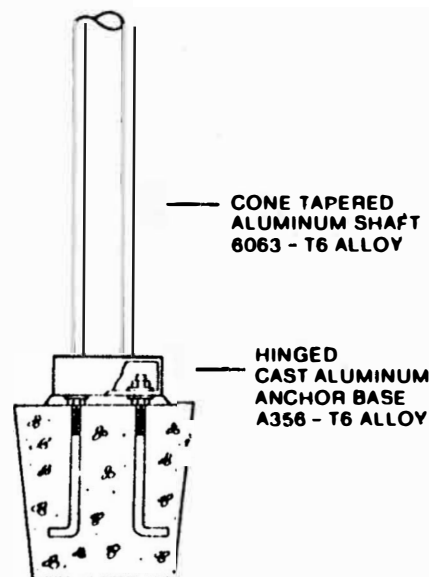


SPECIFICATIONS:

HINGED ANCHOR BASE: Cast from A356 alloy aluminum, the hinged base shall be heat treated to a T6 condition. The shaft shall be inserted into the tilting section of the hinged base and shall be joined to it by continuous circumferential welds at the outside top and inside bottom of that section. The tilting and anchored sections of the hinged base shall be permanently joined by welding in place a 3/4" diameter, solid aluminum pivot rod. The tilting section of the hinged base shall be held in a vertical position by three 1/2" x 13 x 3 stainless steel countersunk allen head screws.

ANCHOR BOLTS: Each Anchor Base standard shall include four anchor bolts, double nuts, two flat washers and one lock washer sized to match the anchor bolts.

SPECIAL FINISHES: Natural anodize, duranodic, or painted finishes may be specified as an addition to the satin brushed finish, if required. All aluminum parts and accessories shall receive a similar finish to that specified.



HINGED ANCHOR BASE AND BOLT DETAIL						BASE DIMENSIONS	
A Pole Diameter	B Bolt Circle	C Bolt Projection	Pole Height	Pole Wall	D Bolt Size	E Height	F Width
4"	8 1/2"	3"	20'	.125	3/4" x 25"	4"	10"
			25'	.156			
			30'	.125			
5"	8 1/2"	3"	20'	.188	3/4" x 25"	4"	10"
			25'	.156			
			30'	.156			
			35'	.156			
			36'	.125			
26'	.125						
30'	.125						
6"	8 1/2"	3"	30'	.188	3/4" x 25"	4"	10"
			30'	.156			
			36'	.156			

CAUTION: Raising or lowering the pole requires adequate preparation. Do not underestimate the force required to raise or lower the taller poles. Extreme caution should be exercised when installing flagpoles near overhead power lines, or in the vicinity of buried cable.



The Flagpole Company
221 N. Main St.
Brooklyn, MI 49230
800.805.9728
www.flagpolecompany.com

**THE FLAGPOLE
COMPANY®**

The Flagpole Professionals!

