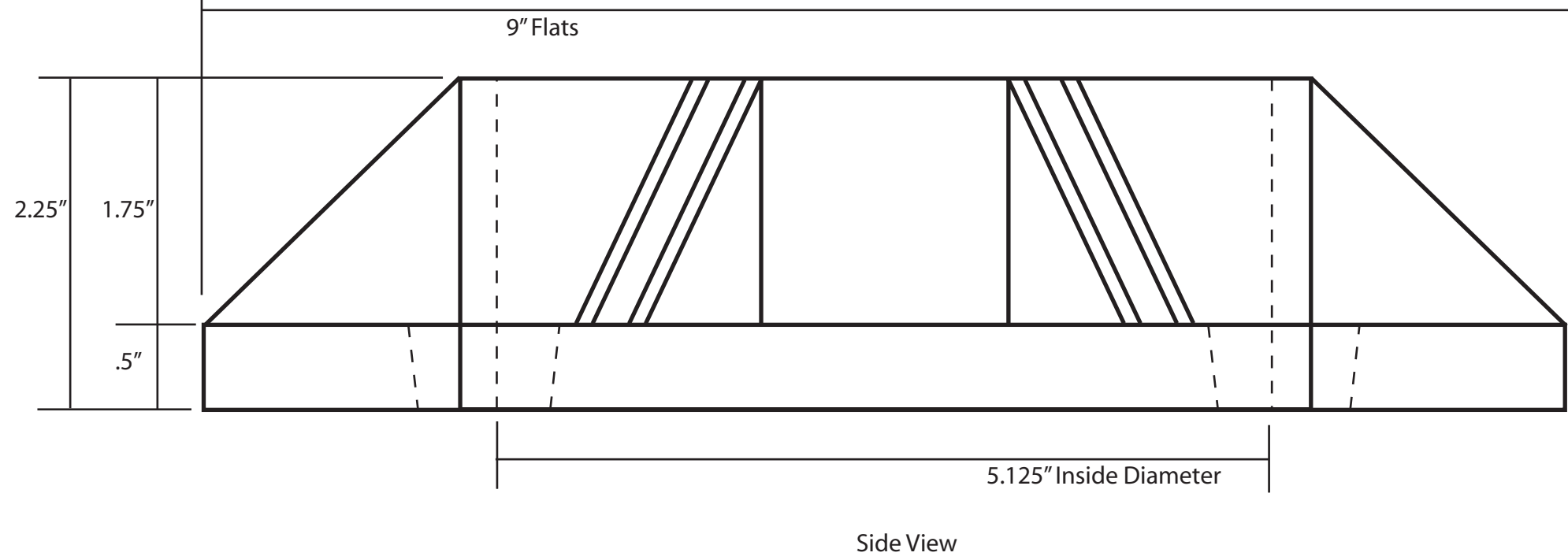
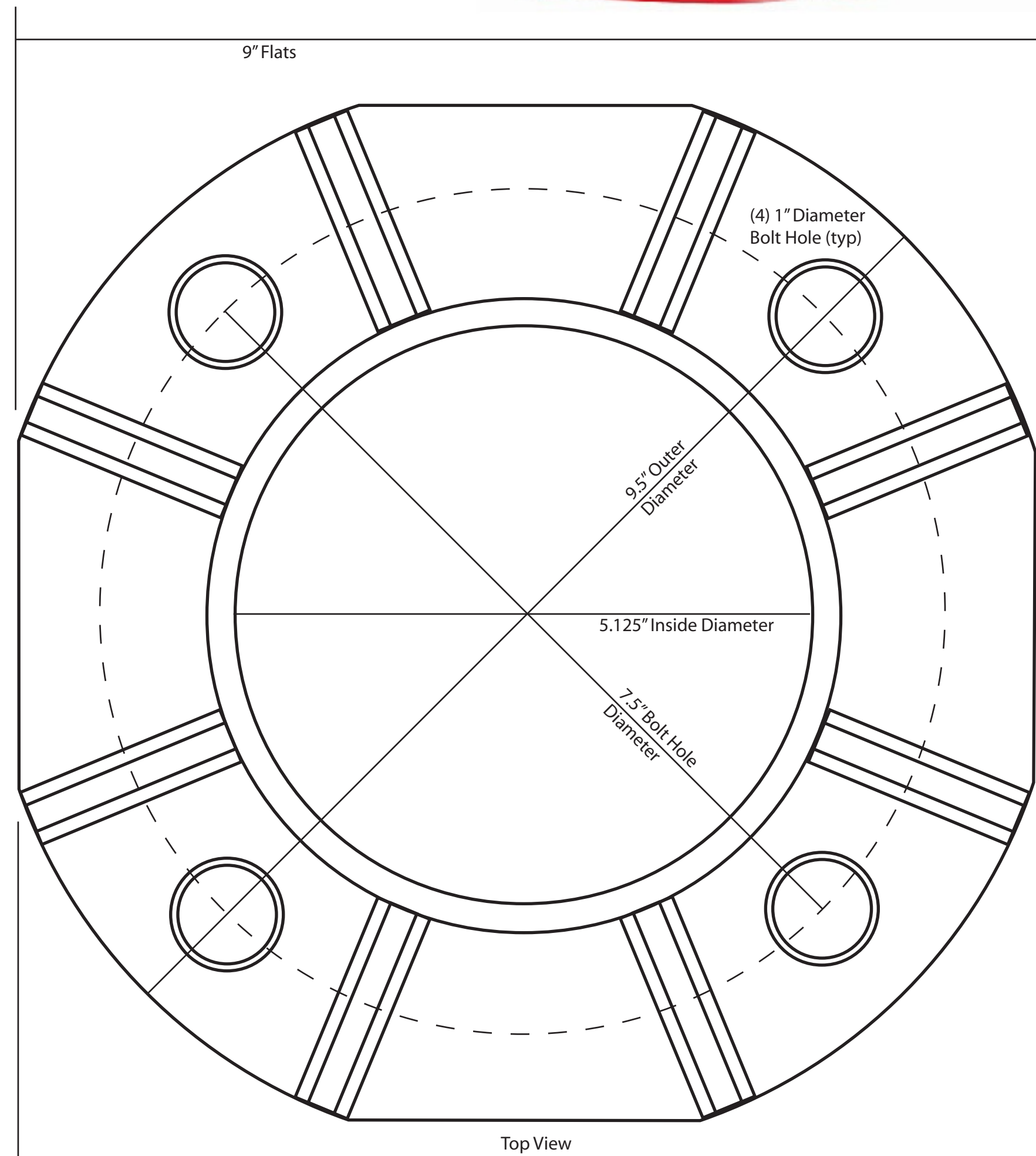
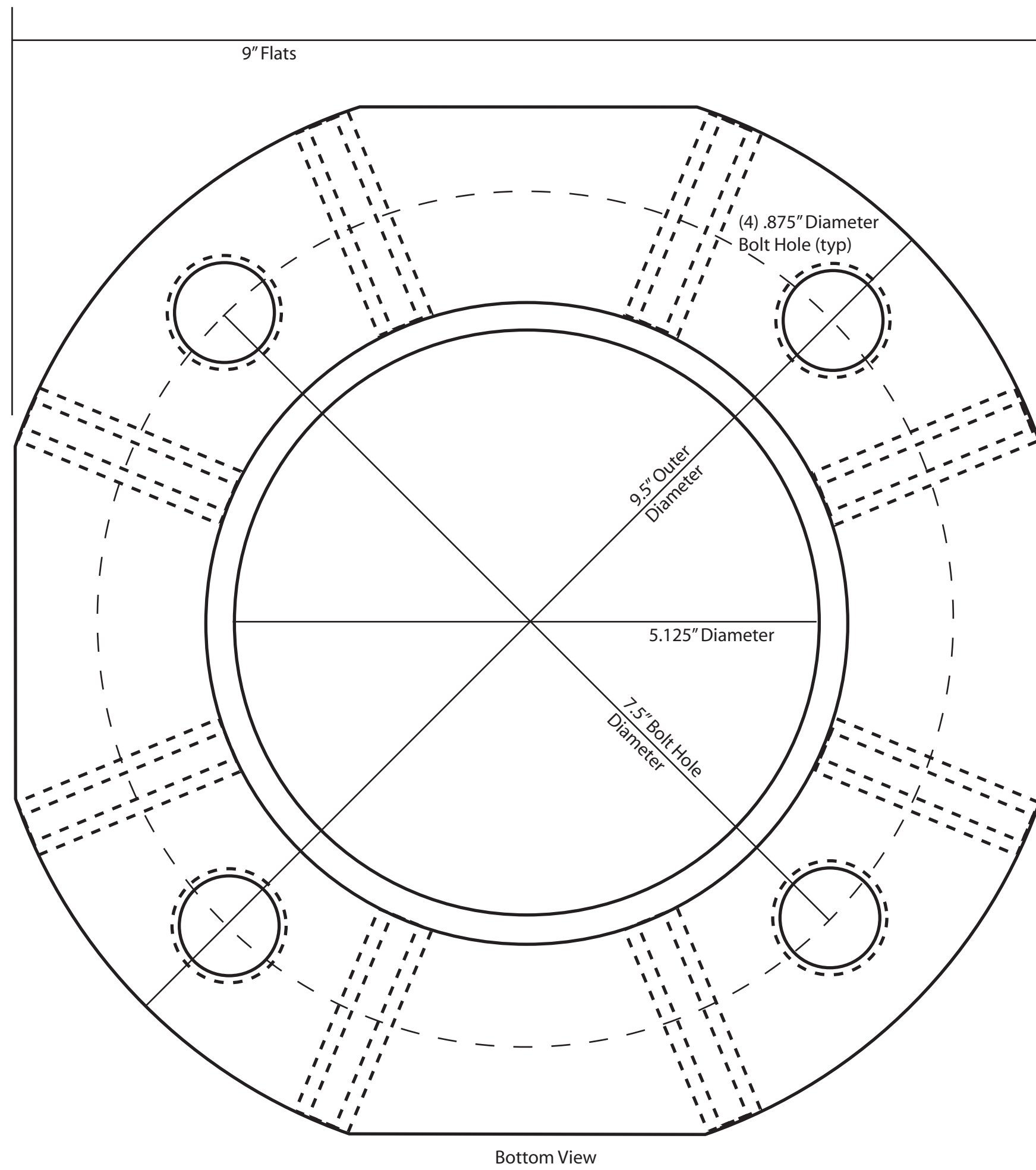


5" Shoe Base Drawing



Not to Scale

5 Shoebase Drawn:
11/24/2020



The Flagpole Company
221 N. Main St.
Brooklyn, MI 49230
800.805.9728
www.flagpolecompany.com



THE FLAGPOLE COMPANY®

800.805.9728



To Whom It May Concern:

Re: Anchor bolt tightening information

The Flagpole Company recommends following the Commentary on Section 5.17.6.2 of the 2001 AASHTO Code for shoe base applications, which indicates the top nut should be tightened to one-sixth of a turn beyond snug (snug is defined as when the nut is in full contact with the base plate & assumes the full effort of a workman on a 12 in wrench results in snug condition). The lower nut & washer should be in full contact with the base plate prior to tightening the top nut and should be retightened after the top nut to ensure full contact is maintained.

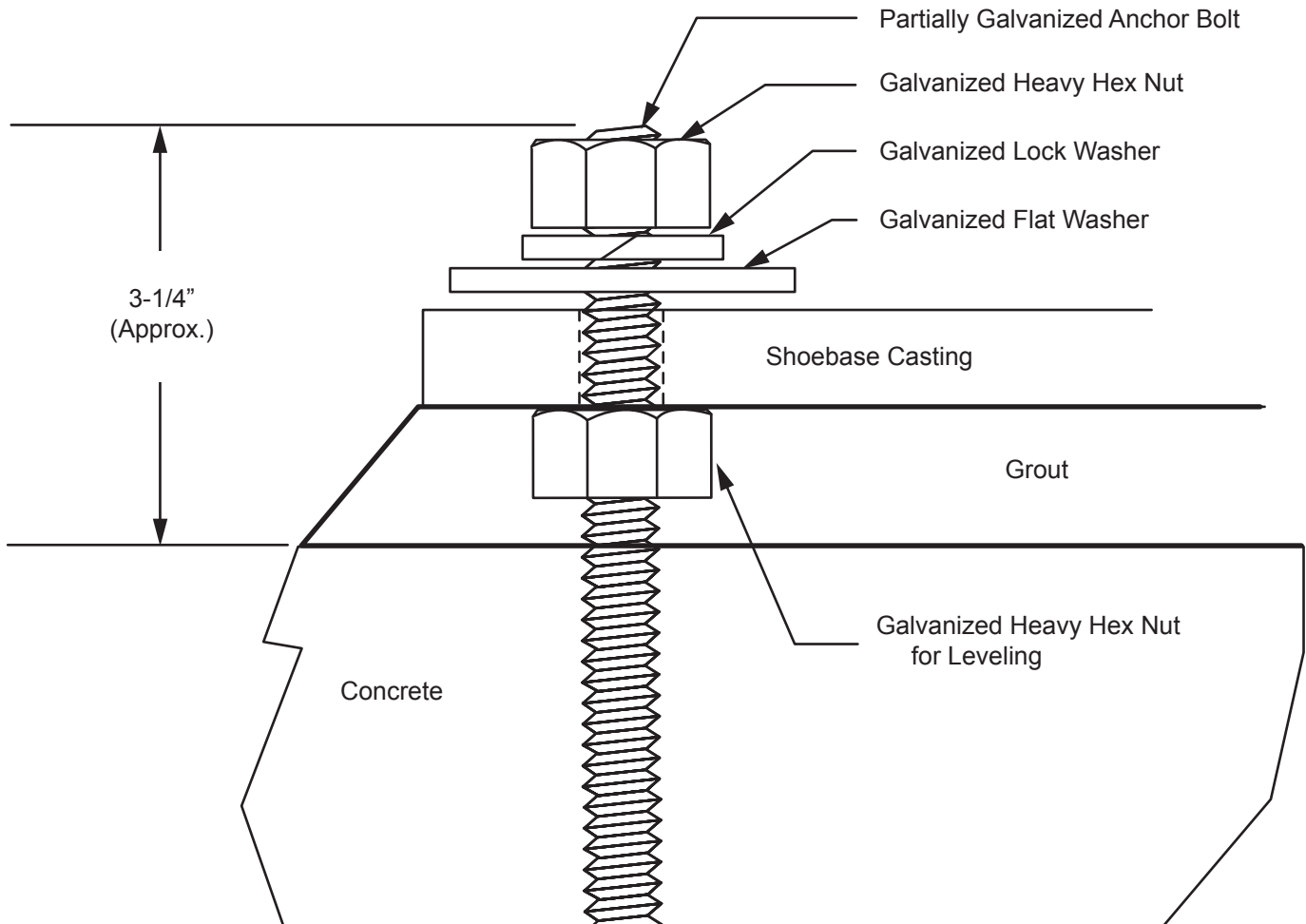
The Flagpole Company
221 N. Main St.
Brooklyn, MI 49230
800.805.9728
www.flagpolecompany.com



America's Finest Flagmakers



Anchor Bolt Projection Detail



Shoebase Instructions

Use caution when setting anchor bolts. Dig foundation. Place anchor bolts in hole with threaded ends up, leaving threaded bolt ends exposed approximately 3-1/4" (Adjust if needed).

Use the templates supplied to achieve proper spacing of the bolts. (Very important) Plumb bolts and brace so that they are vertically straight and centered on the template holes.

Note:

Adequate drainage must be provided in concrete foundation or grout..

Dated: 11/24/2020

The Flagpole Company
221 N. Main St.
Brooklyn, MI 49230
800.805.9728
www.flagpolecompany.com

The Flagpole Professionals!

