

Howler™

LOW FREQUENCY SIREN & SPEAKER SYSTEM

An added layer of warning for intersections and high risk areas when used with your 100/200 watt siren amplifier. Howler provides deep, low frequency tones, which penetrate other vehicles, alerting drivers and pedestrians of your approach.

Howler is not a replacement to the vehicle's primary siren; Howler adds a minimum eight second penetrating burst of low frequency siren sound for use in heavy traffic, intersections or other high ambient noise conditions.



FEATURES

- Howler is an add-on to any 100-200 watt warning siren such as the Whelen 295SL Series. Works with most siren amplifiers.
- Includes one or two speakers for use with Howler amplifier only.
- Works with any sweeping tone, plus Hi/Low and electronic mechanical tone generated by the primary siren.
- Howler low-frequency tones synchronize with your primary siren tones to penetrate high noise, traffic situations.
- Howler amplifier module uses the primary siren speaker output wires and divides the frequency to one of three frequency bands via dip switch. Selections are 1/4 tone, 1/2 tone or a composite of 1/4 and 1/2 tones.
- Lower frequency reverberating tones are able to penetrate vehicles, alerting drivers to your oncoming emergency vehicle.
- Built-in timer limits overexposure time, however operators are advised to wear approved hearing protection.
- Two external cancel controls, standard. A positive or negative activation will cancel tone.
- Select tone duration and tone style via easy Scan-Lock feature and LED indicator (selection of 8 different tone durations: 8-60 seconds maximum).



WHELEN®

Howler Specifications

Selecting tone duration and style is easy. Three LEDs located on the rear of the Howler amplifier provide a visual indication of the currently selected tone style during the configuration process.

Using the Scan-Lock™ button, cycle through the three different tone styles. The currently selected style and tone can be identified by these LED indicators.

Select Tone Style Via LED Indicator

LEDS	LED1	LED2	LED3	STONE STYLE
● ○ ○	On	Off	Off	1/4 Primary siren tone frequency (default)
○ ● ○	Off	On	Off	1/2 Primary siren tone frequency
● ● ○	On	On	Off	1/4 & 1/2 Primary siren tone frequency

Select Tone Duration Via LED Indicator

LEDS	LED1	LED2	LED3	STONE DURATION
○ ○ ○	Off	Off	Off	7.5 Seconds (default)
● ○ ○	On	Off	Off	15 Seconds
○ ● ○	Off	On	Off	22.5 Seconds
● ● ○	On	On	Off	30 Seconds
○ ○ ●	Off	Off	On	37.5 Seconds
● ○ ●	On	Off	On	45 Seconds
○ ● ●	Off	On	On	52.5 Seconds
● ● ●	On	On	On	60 Seconds



Rear of Amplifier showing LED indicators

MODELS

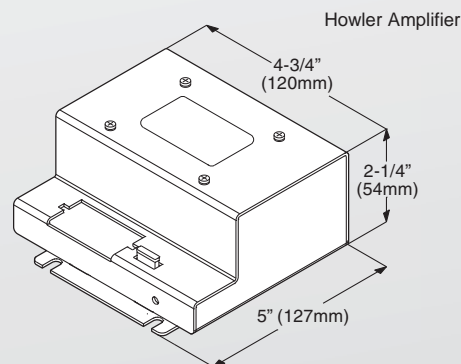
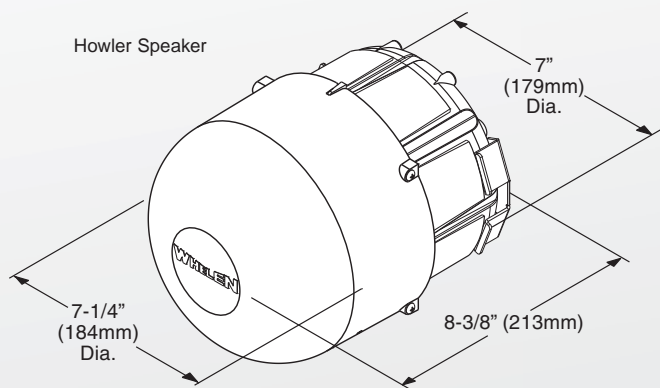
- HOWLER**..... Siren amplifier with two speakers, optional vehicle specific mounting brackets, no charge when purchased with Howler System
- HWLCC11** Siren amplifier with one speaker, includes mounting bracket for 2011 Chevy Caprice
- HWLFT11** Siren amplifier with one speaker, includes mounting bracket for 2010-2011 Ford Taurus and 2013 Police Interceptor Utility
- HWLCI12**..... Siren amplifier with one speaker, includes mounting bracket for 2012 Chevy Impala, requires SA315P with SAK46 purchased separately

MOUNTING BRACKETS

- HWLRB1** Ford Crown Victoria, 2008-2011
- HWLRB2** Ford Expedition, 2008-2011
- HWLRB4** Ford E-Series, 2008-2011
- HWLRB5** Chevy Suburban 1/2 Ton, 2008-2012 and Chevy Tahoe, 2008-2012
- HWLRB7** Chevy Impala, 2008-2011
- HWLRB9** Chevy 2500/3500 Silverado 2009-2011 and Chevy Suburban 3/4 Ton, 2009-2011
- HWLRB11** Chevy Express G-Series, 2011
- HWLRB12** Ford F250-F550 Super-Duty, 2011-2012
- HWLRB13** Ford Explorer, 2011-2012 and Police Interceptor Utility, 2013. Driver side bracket includes built-in mounting for a SA315P speaker
- HWLRB14** Dodge 4500, 2011
- HWLRB15** Dodge Charger, 2011-2012 (not for V6)

SPECIFICATIONS

- Output: 16 amps @ 200 watts with 2 speakers
8 amps @ 100 watts with 1 speaker
- Speaker Weight: 8 lbs. (3.63kg)



WHELEN[®]
ENGINEERING COMPANY, INC.

51 Winthrop Road
Chester, Connecticut 06412-0684
(860) 526-9504 • Fax: (860) 526-4078
www.whelen.com

Whelen Engineering reserves the right to upgrade and improve products without notice.
© 2012 Whelen Engineering Company, Inc. Printed in U.S.A.
Code No. 12174F-1012

Follow us on