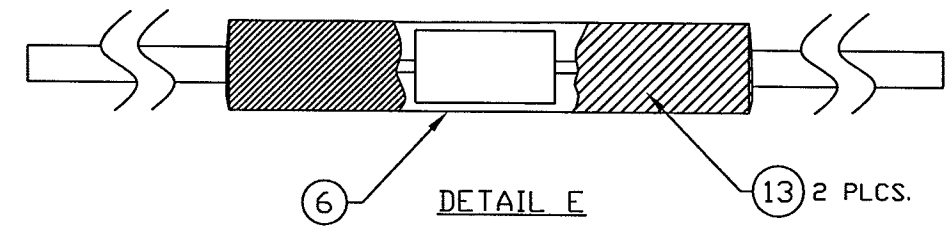
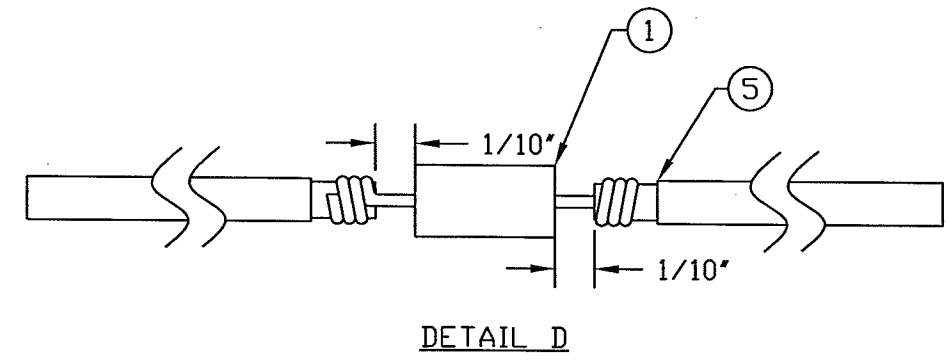
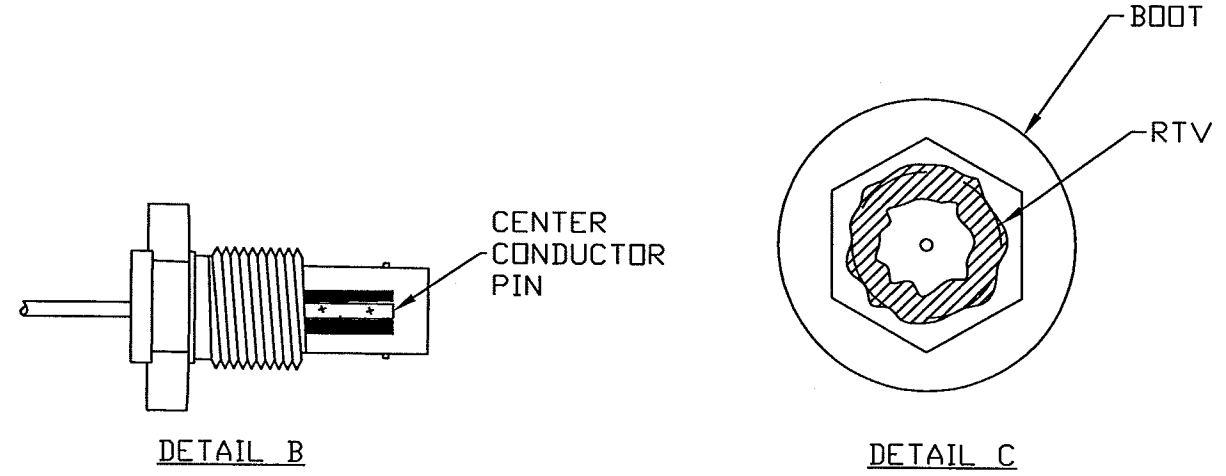
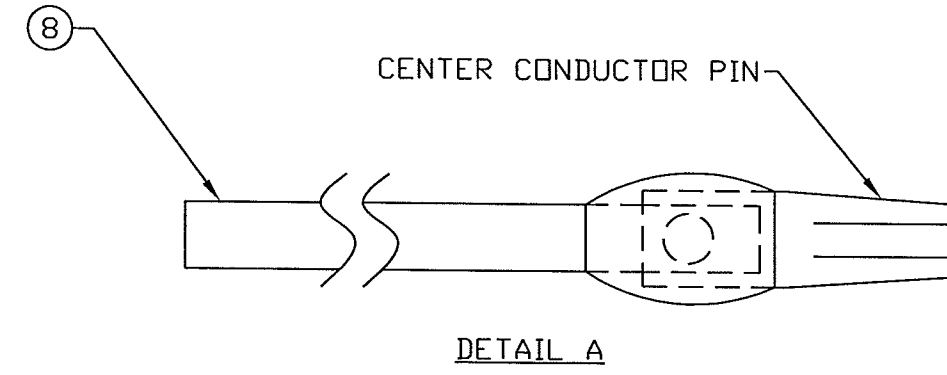
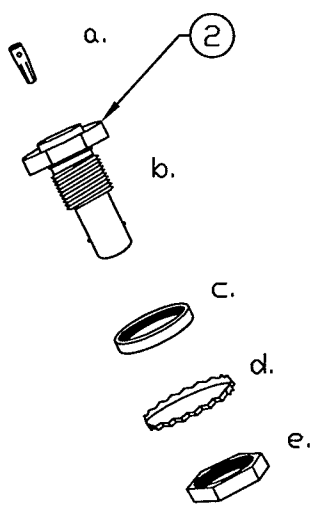
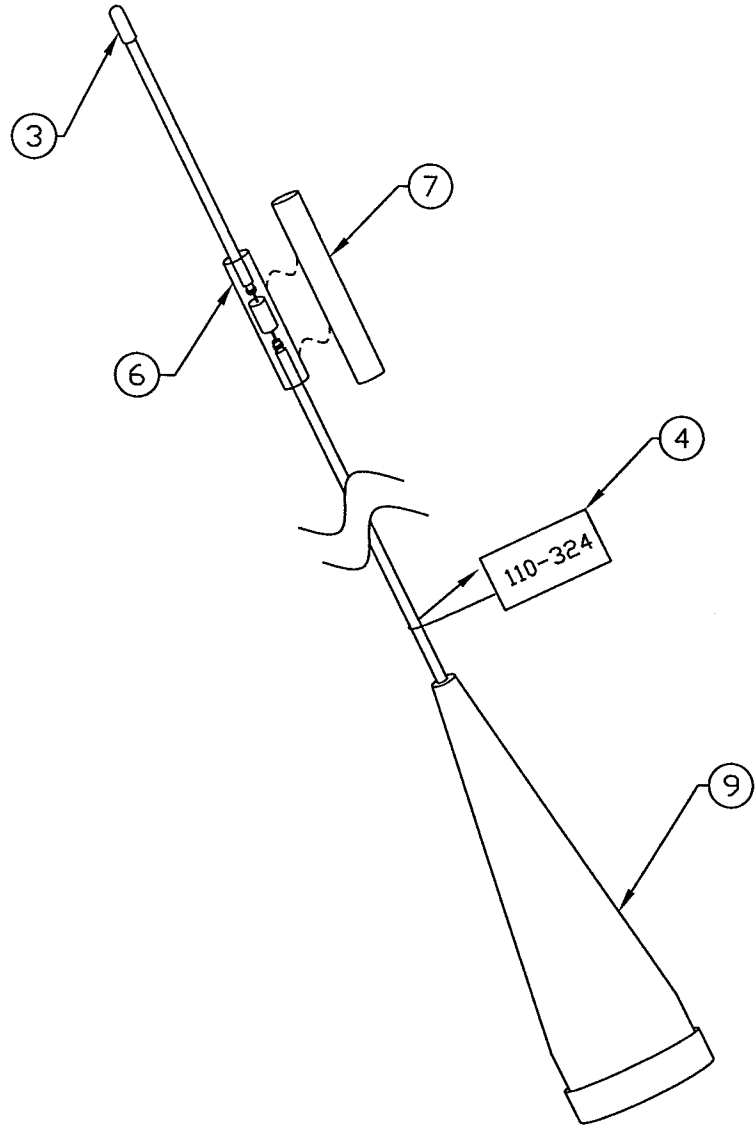


REFER TO ASSEMBLY PROCEDURE 4324



DATE	SYM	REVISION RECORD	AUTH	DR	CK
09-23-02	B	DCN 2069	DQ	DF	RJ
03-07-05	B	DCN 2551	DF	CL	DE
01-15-07	B	DCN 2918	WDM	CL	AB

13b	850-9000-03	-	GE RTV 162	AS REQ
13a	850-9000-02	-	GE RTV 162	AS REQ
12	850-8999	-	GE RTV 160	AS REQ
11	850-0851	-	HARDENER, FOR EL-CAST WHITE	.0075 OZ
10	850-0850	-	RESIN, EL-CAST WHITE	.063 OZ
9	800-2022	-	BOOT, ANTENNA (ALTERNATIVE PART)	1
	800-2021	-	BOOT, ANTENNA	1
8	654-4251	-	WIRE, ANT. OIL TEMPERED MB (140-09-1000)	1
7	610-2128	-	TUBING, HEAT SHRINK 3/16"	.25 FT
6	610-2127	-	TUBING, CLEAR TANITE BUTYRATE	.166 FT
5	610-2126	-	TUBING, HEAT SHRINK 1/16"	1.1 FT
4	591-3056	A	LABEL, WHIP ANTENNA "110-324"	1
3	183-0056	-	GUARD, ANTENNA TIP SAFETY	1
2	150-1851	-	CONNECTOR, ANTENNA BASE, (140-07-0206)	1
1	109-1302	-	INDUCTOR, .68uH	1
ITEM	PART NO.	REV	DESCRIPTION	QTY

**ARTEX AIRCRAFT SUPPLIES, INC.**  
14405 KEIL ROAD NE, AURORA, OR. 97002

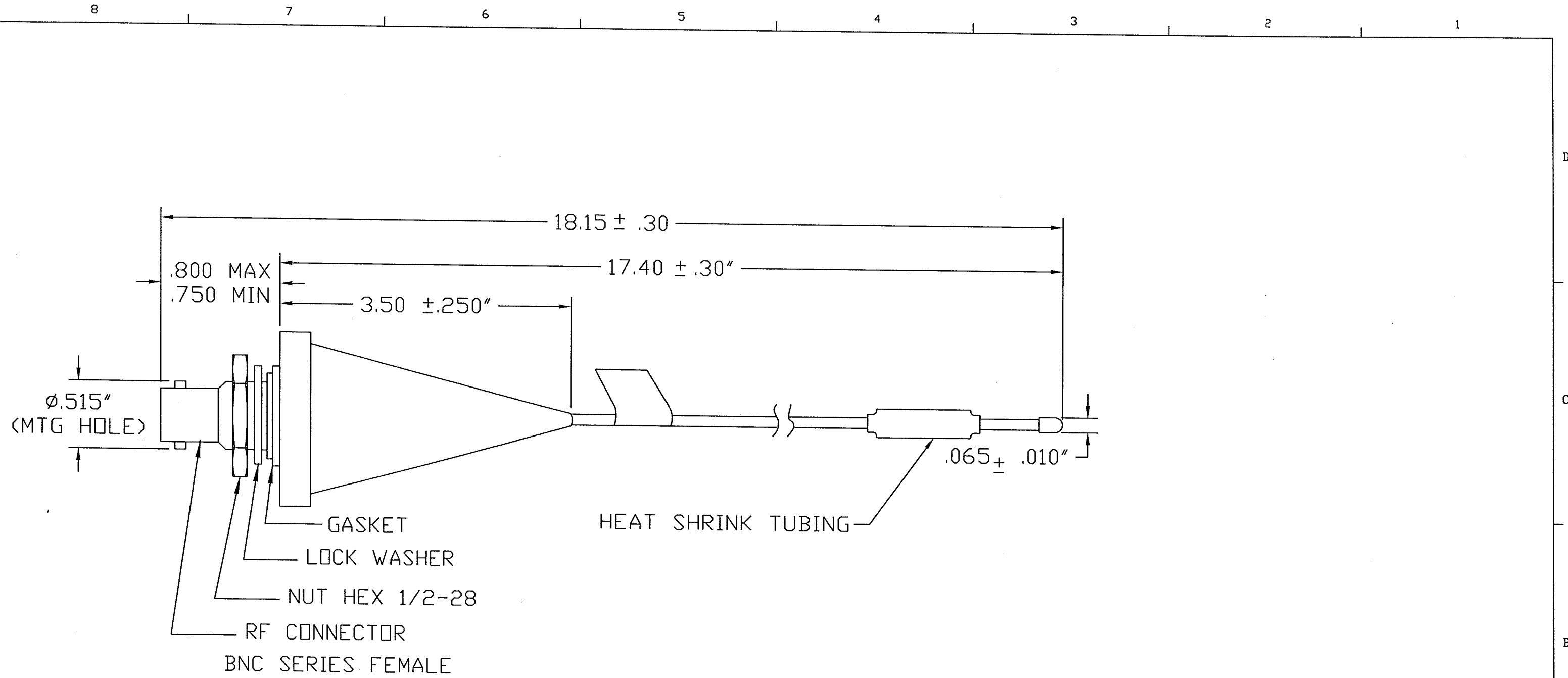
SCALE: NONE  
APPROVED BY: *Wendell Neumy*  
REVISED BY: RJ  
ORG. DR. BY: PW  
ORG. DATE: 12-12-91  
REV. DATE: 01-15-07

ANTENNA, WHIP W/ IND

SIZE: B SHEET 1 OF 2 DRAWING NUMBER: 110-324 REV. B

TOLERANCE TABLE	
UNLESS OTHERWISE SPECIFIED	.XX ±.03
	.XXX ±.010
TOLERANCES ARE:	.XXXX ±.0050
	XX" ±1"
UNLESS OTHERWISE SPECIFIED DIMENSIONS ARE IN INCHES & PER ASME Y14.5M	

REVISION HISTORY ON SHEET 1  
PROPRIETARY INFORMATION  
THIS DOCUMENT DISCLOSES SUBJECT MATTER IN WHICH ARTEX AIRCRAFT SUPPLIES, INC. HAS PROPRIETARY RIGHTS. NEITHER RECEIPT NOR POSSESSION THEREOF CONFERS OR TRANSFERS ANY RIGHT TO REPRODUCE OR DISCLOSE THE DOCUMENT, ANY PART THEREOF, ANY INFORMATION THEREIN, OR ANY PHYSICAL ARTICLE OR DEVICE, OR PRACTICE ANY METHOD OR PROCESS EXCEPT BY WRITTEN PERMISSION FROM OR WRITTEN AGREEMENT WITH ARTEX AIRCRAFT SUPPLIES, INC.



**SPECIFICATIONS:**

- RF CHARACTERISTICS:
  - VSWR: 2:1 OR BETTER AT 121.5/243.0MHz
  - POLARIZATION: VERTICAL
  - RADIATION PATTERN: TYPICAL OF A  $\lambda/4$  MONOPOLE ANTENNA.
- AIRSPED RATING: 200 KNOTS TAS.

**ARTEX AIRCRAFT SUPPLIES, INC.**  
 14405 KEIL ROAD NE, AURORA, OR. 97002

TOLERANCE TABLE	
UNLESS OTHERWISE SPECIFIED	.XX ±.03
	.XXX ±.010
	.XXXX ±.0050
	XX* ±1*
UNLESS OTHERWISE SPECIFIED DIMENSIONS ARE IN INCHES & PER ASME Y14.5M	

**REVISION HISTORY ON SHEET 1**

**PROPRIETARY INFORMATION**  
 THIS DOCUMENT DISCLOSES SUBJECT MATTER IN WHICH ARTEX AIRCRAFT SUPPLIES, INC. HAS PROPRIETARY RIGHTS. NEITHER RECEIPT NOR POSSESSION THEREOF CONFERS OR TRANSFERS ANY RIGHT TO REPRODUCE OR DISCLOSE THE DOCUMENT, ANY PART THEREOF, ANY INFORMATION THEREIN, OR ANY PHYSICAL ARTICLE OR DEVICE, OR PRACTICE ANY METHOD OR PROCESS EXCEPT BY WRITTEN PERMISSION FROM OR WRITTEN AGREEMENT WITH ARTEX AIRCRAFT SUPPLIES, INC.

SCALE: NONE	APPROVED BY: <i>Wendell Neumeier</i>	REVISED BY: RJ
ORG. DR. BY: PW		REV. DATE: 01-15-07
ORG. DATE: 12-12-91		

**ANTENNA, WHIP W/ IND**

SIZE <b>B</b>	SHEET 2 OF 2	DRAWING NUMBER: 110-324	REV. <b>B</b>
---------------	--------------	-------------------------	---------------