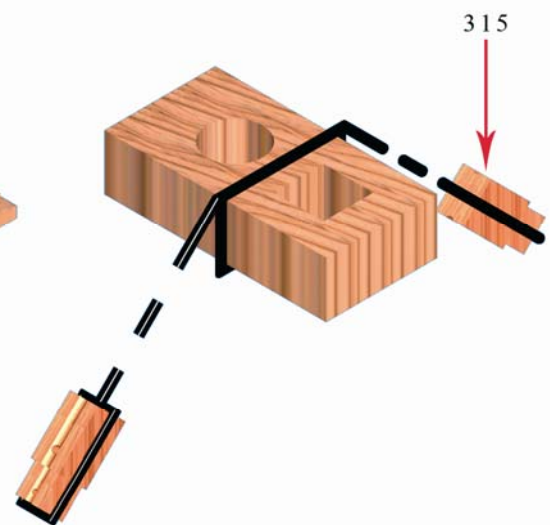
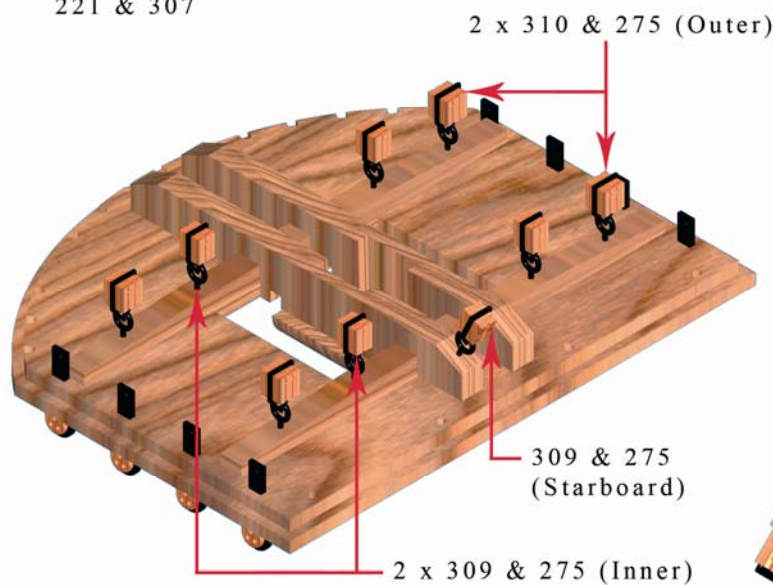
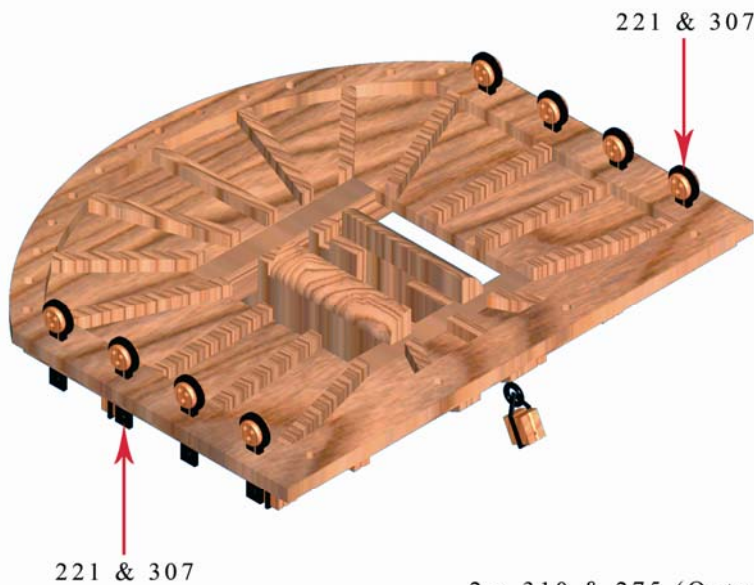


H.M. BOMB VESSEL

GRANADO 1756



Manual 2 of 2

Parts List & Part Identification

Additional photos of every stage of construction can be found on our website at:
<http://www.jotika-ltd.com>

Nelsons Navy Kits manufactured and distributed by JoTiKa Ltd.
Model Marine Warehouse, Hadzor, Droitwich, WR9 7DS.
Tel ~ +44 (0) 1905 776 073
Fax ~ +44 (0) 1905 776 712
Email ~ nelsonsnavy@jotika-ltd.com

Index

For easy reference, the parts list and part identification manual has been split into well-defined categories as follows:

Category	Part Number Range	Page(s)
5mm Ply	1 – 18	2 – 3
5mm Walnut	25 – 37	4
4mm Walnut	45 – 51	5
3mm Ply	55 – 56	5
3mm Walnut	60 – 95	6 – 7
2mm Walnut	100 – 143	8 – 9
1.5mm Ply	150	10
1.5mm Walnut	155 – 189	11 – 12
0.8mm Ply	195 – 205	13
Brass Etchings	210 – 250	14 – 15
White Metal Castings	255 – 272	16
Copper, Brass & Plastic Fittings	275 – 289	17
Wooden Fittings	300 – 303	17
Blocks	305 – 316	17
Wire	320 – 322	17
Rigging Thread	325 – 335	17
Strip Wood	340 – 356	18
Birch Dowel	360 – 364	18

Notes on Handling Components

During the build it will be necessary to sand down large areas, (after the first and second planking and at other stages) it is therefore advisable to work in a well ventilated area and / or wear appropriate protection. The same applies when using paints, stains, glues, fillers etc. Good lighting is also essential to the model maker.

The structural parts of the model are cut from high quality birch plywood, the remaining wood parts are cut from high quality walnut ply and walnut.

Take particular care when removing parts with a craft knife and ensure all parts are identified and marked with pencil before removal. Lay the sheet from which you are going to cut the parts on a rigid flat cutting board for removal. Use a heavy-duty craft knife with a good strong blade to cut through the tabs holding the parts in place. It will also be an advantage to paint the brass etched fittings prior to removal from the sheet; they can then be touched up again when in place. Alternatively, when cutting brass or copper parts, a good pair of stout scissors will suffice.

Before each stage of construction, study both the manual and the plans until you are confident in the task ahead.

The majority of the model will be painted during various stages of the build. It is important to think ahead to the next stage in the construction process and paint the various parts at a convenient time, usually before securing on the model. It is often a good idea to paint parts for the next stage and while they are drying you can be working on the current stage.

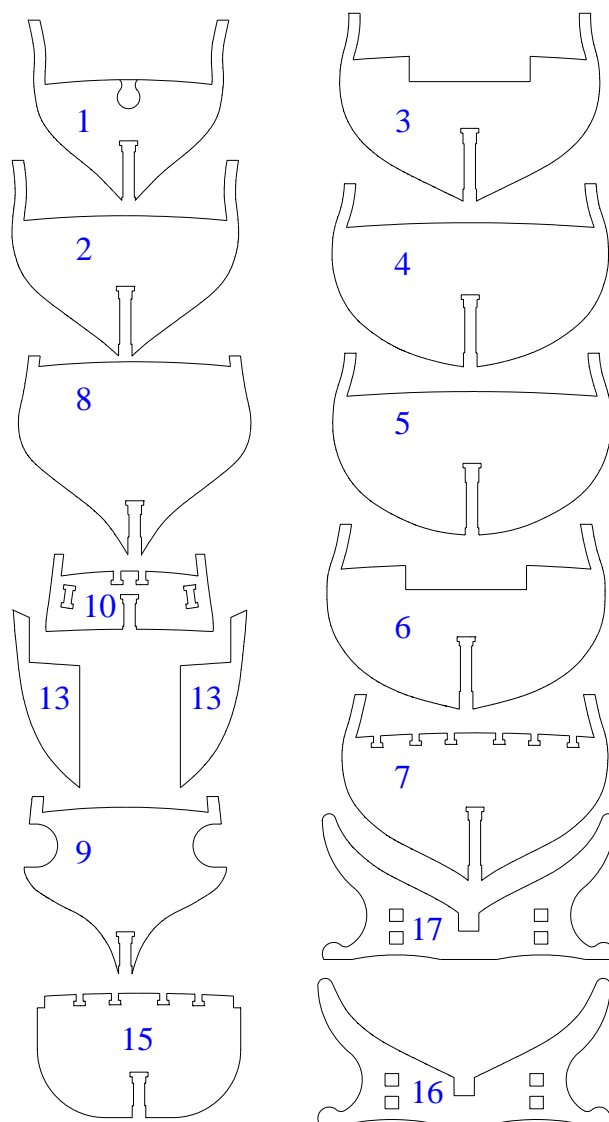
Wherever possible, offer the parts together in a 'dry' fit before final assembly.

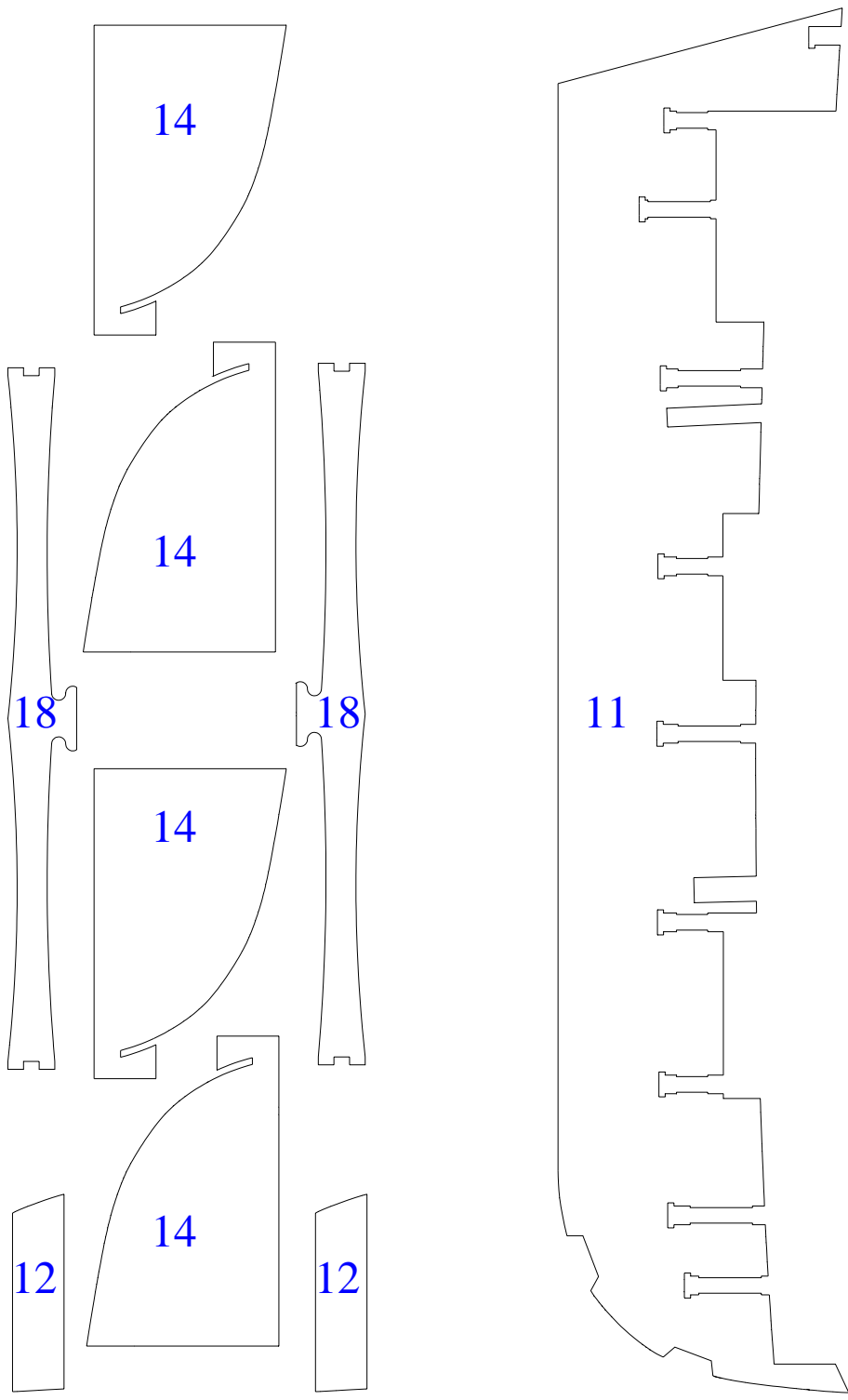
Note: You will find that there are 'extras' of many of the brass etched components and all delicate parts, as long as you have followed the build instructions and plans you should not be concerned by leftovers.

5mm Ply

Part No.	Description	Material	Quantity
1	Bulkhead 1	5mm Ply	1
2	Bulkhead 2	5mm Ply	1
3	Bulkhead 3	5mm Ply	1
4	Bulkhead 4	5mm Ply	1
5	Bulkhead 5	5mm Ply	1
6	Bulkhead 6	5mm Ply	1
7	Bulkhead 7	5mm Ply	1
8	Bulkhead 8	5mm Ply	1
9	Bulkhead 9	5mm Ply	1
10	Bulkhead 10	5mm Ply	1
11	Keel	5mm Ply	1
12	Plank termination pattern	5mm Ply	2
13	Plank termination pattern	5mm Ply	2
14	Gunport pattern shaper	5mm Ply	4
15	False bulkhead	5mm Ply	1
16	Stand end (Fore)	5mm Ply	1
17	Stand end (Aft)	5mm Ply	1
18	Stand sides	5mm Ply	2

5mm Ply Sheet 1

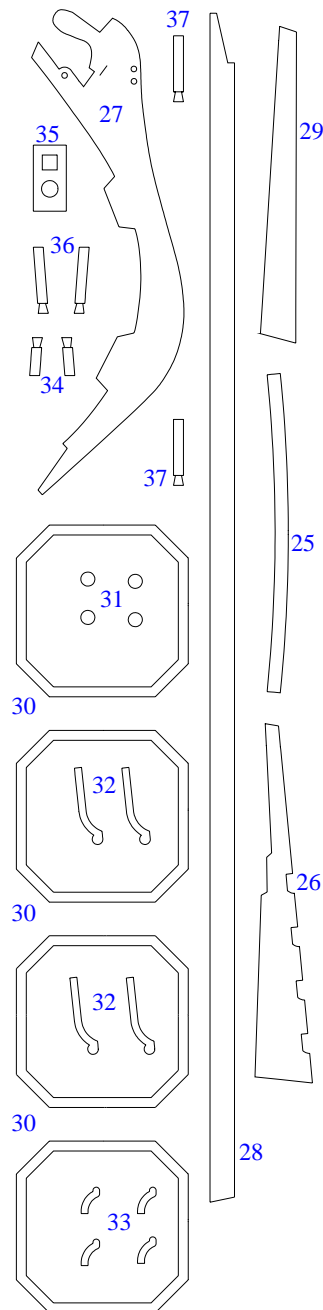




5mm Walnut

Part No.	Description	Material	Quantity
25	Forecastle aft support beam	5mm Walnut	1
26	Rudder	5mm Walnut	1
27	Stem	5mm Walnut	1
28	False keel	5mm Walnut	1
29	Stern post	5mm Walnut	1
30	Mortar pit surround	5mm Walnut	4
31	Windlass centre barrel & warping head joining ring	5mm Walnut	2
32	Capping step (forecastle to main)	5mm Walnut	2
33	Quarterdeck rough tree rail step	5mm Walnut	2
34	Quarterdeck kevel block	5mm Walnut	2
35	Main mast cap	5mm Walnut	1
36	Main deck timberhead (Aft)	5mm Walnut	2
37	Main deck timberhead (Fore)	5mm Walnut	2

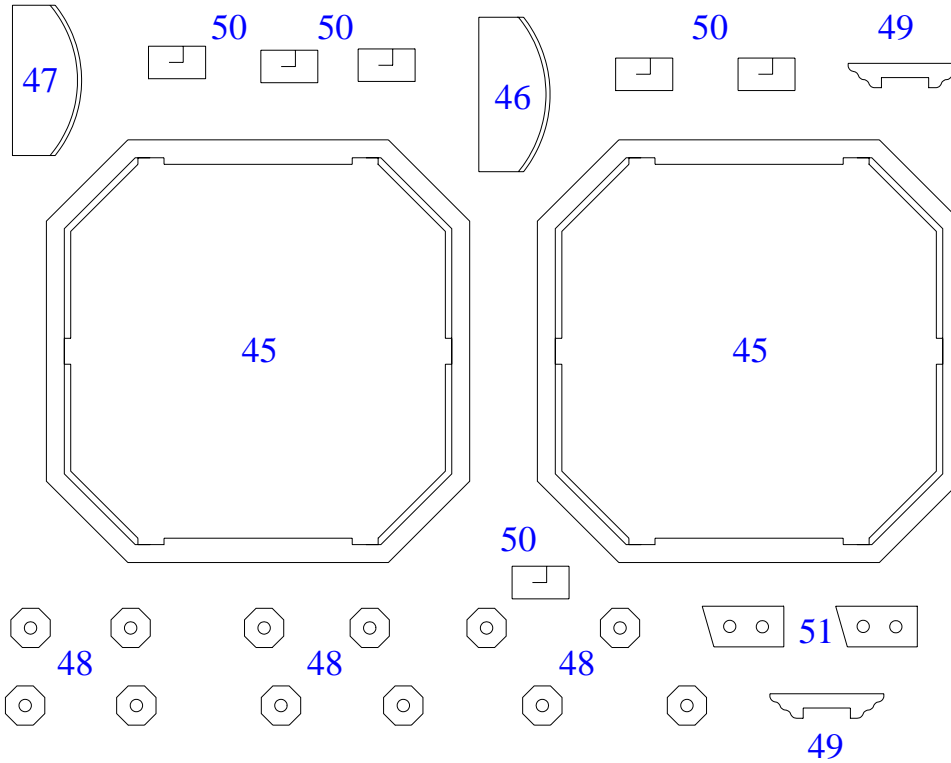
5mm Walnut Sheet 1



4mm Walnut

Part No.	Description	Material	Quantity
45	Mortar pit surround top	4mm Walnut	2
46	13" Mortar bed upper baulks	4mm Walnut	1
47	10" Mortar bed upper baulks	4mm Walnut	1
48	Elm tree pump casing	4mm Walnut	8
49	Fish davit cleat	4mm Walnut	2
50	Messenger snatch block	4mm Walnut	2
51	Main brace sheave block	4mm Walnut	2

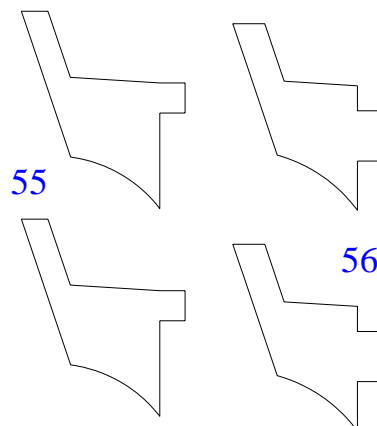
4mm Walnut Sheet



3mm Ply

Part No.	Description	Material	Quantity
55	Stern extension (Inner)	3mm Ply	2
56	Stern extension (Outer)	3mm Ply	2

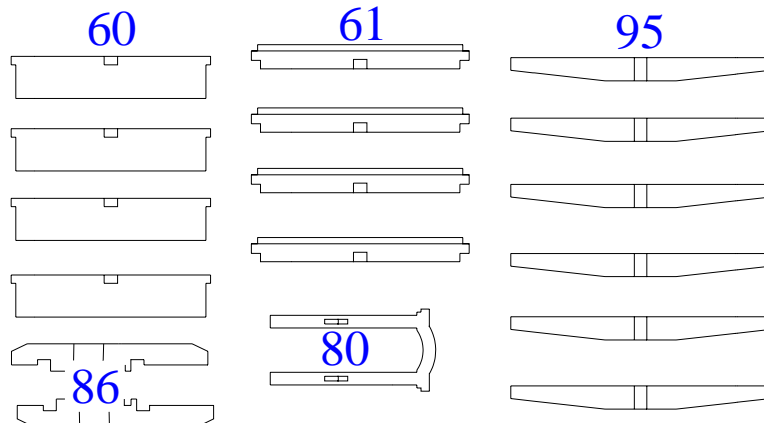
3mm Ply Sheet 1



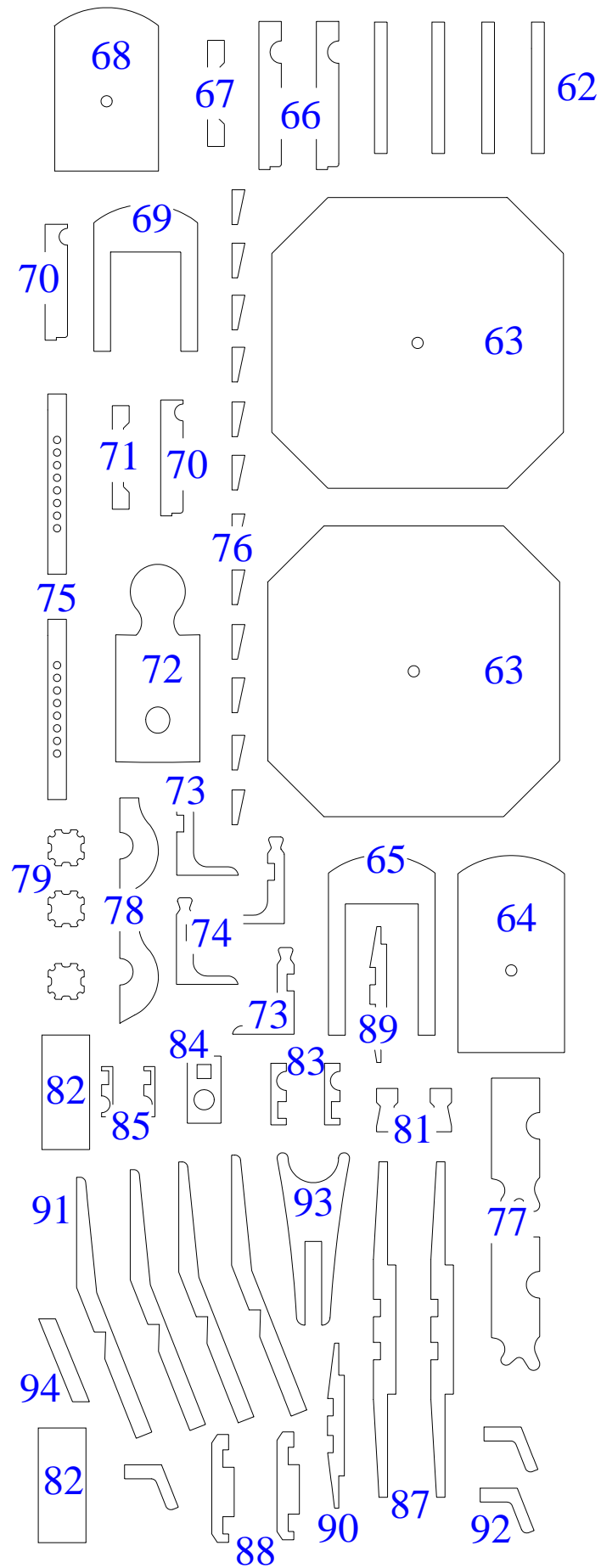
3mm Walnut

Part No.	Description	Material	Quantity
60	Lower longitudinal housing (Removable)	3mm Walnut	4
61	Upper longitudinal housing (Removable)	3mm Walnut	4
62	Mortar pit traverse bulkhead (Removable)	3mm Walnut	4
63	Mortar pit surround base	3mm Walnut	2
64	13" Mortar bed base	3mm Walnut	1
65	13" Mortar bed timber baulks	3mm Walnut	1
66	13" Mortar bed cheeks	3mm Walnut	2
67	13" Mortar bed transverse	3mm Walnut	1
68	10" Mortar bed base	3mm Walnut	1
69	10" Mortar bed timber baulks	3mm Walnut	1
70	10" Mortar bed cheeks	3mm Walnut	2
71	10" Mortar bed transverse	3mm Walnut	1
72	Bowsprit step	3mm Walnut	1
73	Aft bitt pins (Main Jeer)	3mm Walnut	2
74	Fore bitt pins (Main Topsail)	3mm Walnut	2
75	Bitt pin cross pieces	3mm Walnut	2
76	4pdr cannon carriage quoin	3mm Walnut	10
77	Windlass finger & thumb formed timberhead	3mm Walnut	2
78	Windlass cheek	3mm Walnut	2
79	Windlass centre barrel pawl slot backing	3mm Walnut	2
80	Belfry	3mm Walnut	1
81	Forecastle knightheads	3mm Walnut	2
82	Bowsprit cap	3mm Walnut	1
83	Main topmast cap	3mm Walnut	2
84	Mizzen mast cap	3mm Walnut	1
85	Mizzen topmast cap	3mm Walnut	2
86	Main top trestletrees	3mm Walnut	2
87	Main top crosstrees	3mm Walnut	2
88	Mizzen top trestletrees	3mm Walnut	2
89	Mizzen top crosstree (fore)	3mm Walnut	1
90	Mizzen top crosstree (aft)	3mm Walnut	1
91	Cathead	3mm Walnut	2
92	Cathead knee	3mm Walnut	2
93	Driver boom jaws	3mm Walnut	1
94	Tabernacle stiffener	3mm Walnut	1
95	Anchor stock (Sheet & Bowers)	3mm Walnut	6

3mm Walnut Sheet 1



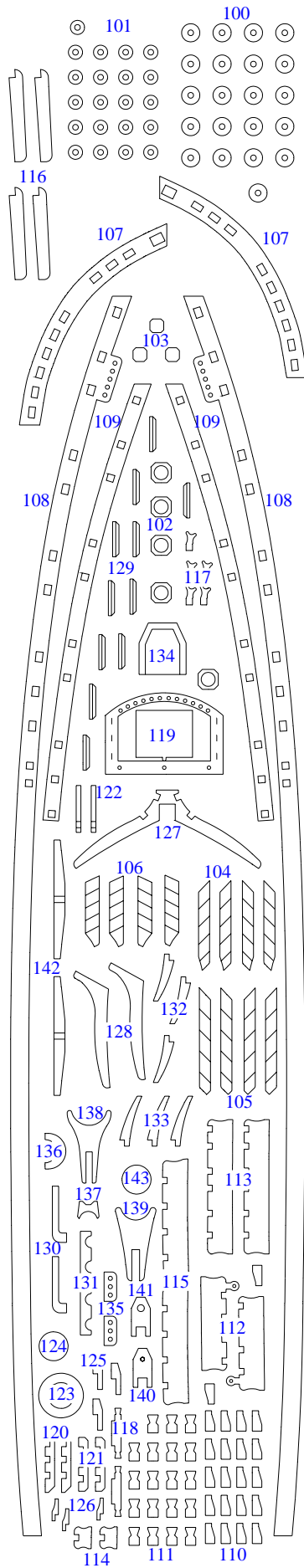
3mm Walnut Sheet 2



2mm Walnut

Part No.	Description	Material	Quantity
100	4pdr cannon carriage front wheel (Large)	2mm Walnut	20
101	4pdr cannon carriage rear wheel (Small)	2mm Walnut	20
102	Windlass centre barrel ends & warping head inner ends	2mm Walnut	4
103	Windlass warping head outer ends	2mm Walnut	2
104	Quarterdeck ladder sides	2mm Walnut	4
105	Forecastle ladder sides	2mm Walnut	4
106	Entry ladder sides	2mm Walnut	4
107	Forecastle capping rail	2mm Walnut	2
108	Main capping rail	2mm Walnut	2
109	Quarterdeck rough tree rail	2mm Walnut	2
110	Quarterdeck timberheads	2mm Walnut	20
111	Forecastle timberheads	2mm Walnut	18
112	Main channel (Fore)	2mm Walnut	2
113	Main channel (Aft)	2mm Walnut	2
114	Main backstay stool	2mm Walnut	2
115	Mizzen channel	2mm Walnut	2
116	Fenders	2mm Walnut	4
117	Finger and thumb timberheads	2mm Walnut	4
118	Kevel cleat	2mm Walnut	2
119	Mizzen top	2mm Walnut	1
120	Main topmast trestletrees	2mm Walnut	2
121	Mizzen topmast trestletrees	2mm Walnut	2
122	Bowsprit bee sheave	2mm Walnut	2
123	Main mast coat	2mm Walnut	1
124	Mizzen mast coat	2mm Walnut	1
125	Main yard sling cleats	2mm Walnut	2
126	Main mast jeer block strop cleats	2mm Walnut	2
127	Upper cheek	2mm Walnut	1
128	Lower cheek	2mm Walnut	2
129	Side steps	2mm Walnut	10
130	Cathead knee continuation piece	2mm Walnut	2
131	Hawse hole bolster	2mm Walnut	2
132	Head timber (Fore)	2mm Walnut	2
133	Head timber (Aft)	2mm Walnut	2
134	Tiller housing canopy	2mm Walnut	1
135	Mizzen mast pin rail	2mm Walnut	2
136	Spritsail yard saddle	2mm Walnut	1
137	Jibboom heel chock	2mm Walnut	1
138	Wingsail gaff jaws	2mm Walnut	1
139	Driver gaff jaws	2mm Walnut	1
140	Tabernacle shoe	2mm Walnut	1
141	Tabernacle staff cap	2mm Walnut	1
142	Anchor stock (Kedge)	2mm Walnut	2
143	Driver boom saddle	2mm Walnut	1

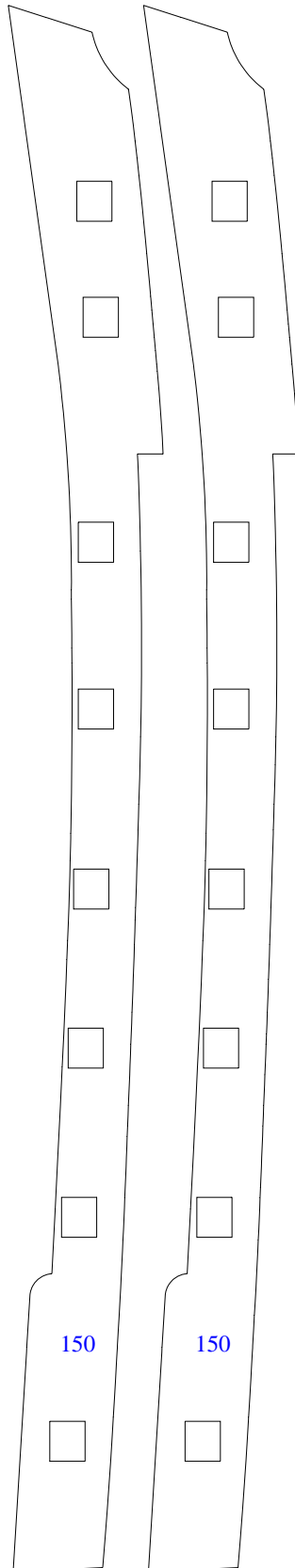
2mm Walnut Sheet 1



1.5mm Ply

Part No.	Description	Material	Quantity
150	Gunport pattern	1.5mm Ply	2

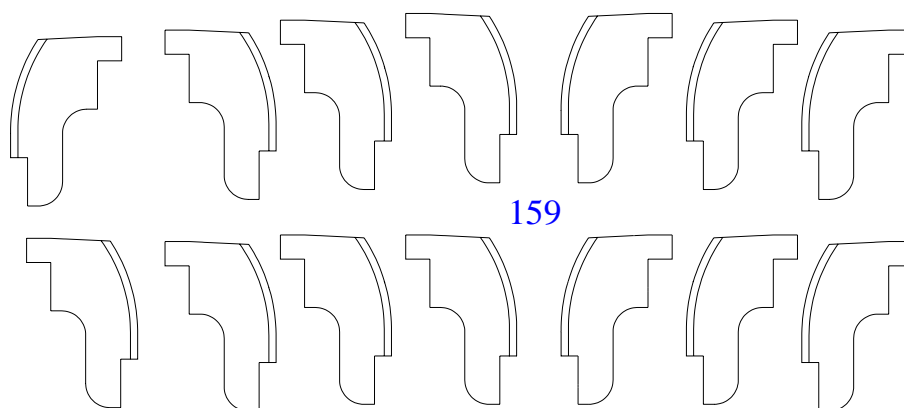
1.5mm Ply Sheet 1



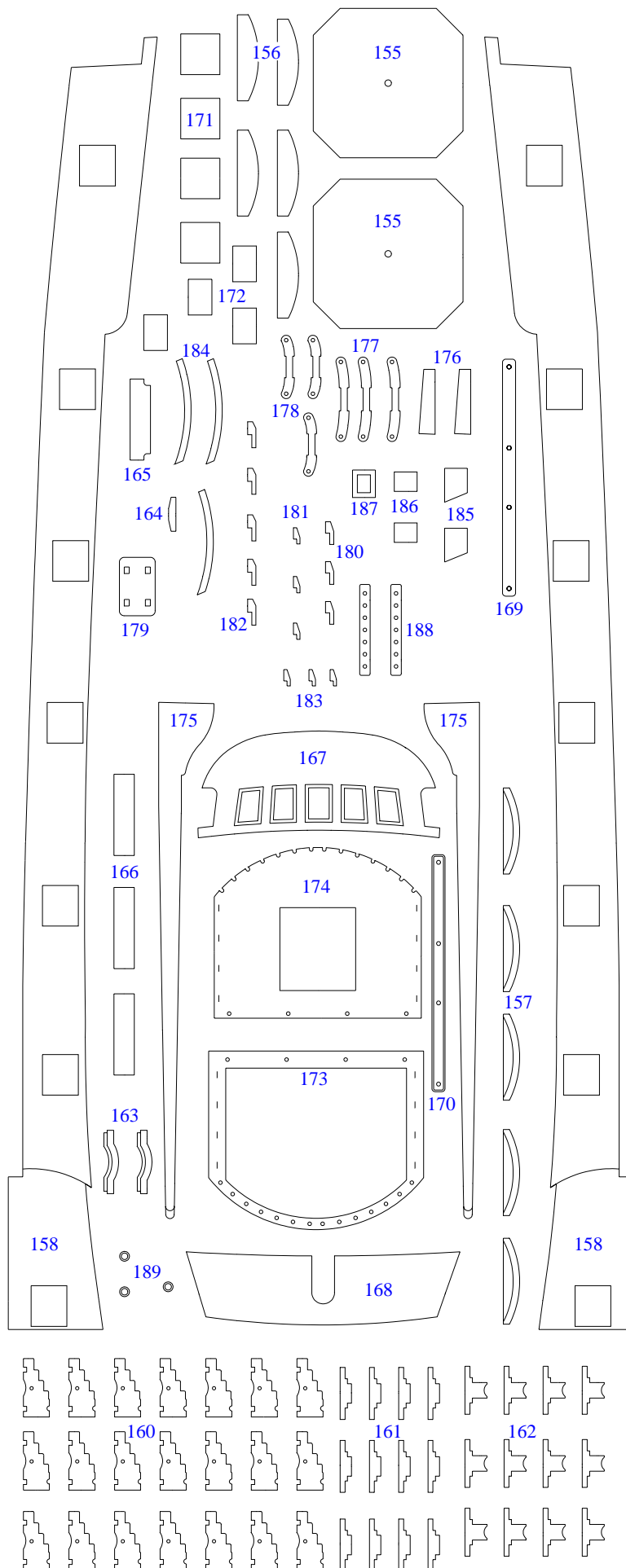
1.5mm Walnut

Part No.	Description	Material	Quantity
155	Mortar pit base	1.5mm W'nut	2
156	Mortar canopy end (Outer)	1.5mm W'nut	4
157	Mortar canopy end (Inner)	1.5mm W'nut	4
158	Bulwark pattern	1.5mm W'nut	2
159	Upperdeck to quarterdeck curved pillars	1.5mm W'nut	12
160	4pdr cannon carriage sides	1.5mm W'nut	20
161	4pdr cannon carriage rear axle (Long)	1.5mm W'nut	10
162	4pdr cannon carriage front axle (Short)	1.5mm W'nut	10
163	Belfry fore & aft profiling	1.5mm W'nut	2
164	Belfry headstock	1.5mm W'nut	1
165	Main hatch cover (Fore)	1.5mm W'nut	1
166	Main hatch covers	1.5mm W'nut	3
167	Stern fascia	1.5mm W'nut	1
168	Stern counter	1.5mm W'nut	1
169	Quarterdeck footrail	1.5mm W'nut	1
170	Quarterdeck breastrail	1.5mm W'nut	1
171	Cabin light lids	1.5mm W'nut	4
172	Chase port doors	1.5mm W'nut	4
173	Main top gunwale	1.5mm W'nut	1
174	Main top platform	1.5mm W'nut	1
175	Main mast bibbs	1.5mm W'nut	2
176	Mizzen mast bibbs	1.5mm W'nut	2
177	Main topmast crosstrees	1.5mm W'nut	3
178	Mizzen topmast crosstrees	1.5mm W'nut	3
179	Bowsprit bee	1.5mm W'nut	1
180	Main topmast yard sling cleats	1.5mm W'nut	2
181	Main topgallant yard sling cleats	1.5mm W'nut	2
182	Crossjack yard and spritsail yard sling cleats	1.5mm W'nut	4
183	Mizzen topmast yard sling cleats	1.5mm W'nut	2
184	Headrail	1.5mm W'nut	2
185	Tiller housing side panels	1.5mm W'nut	2
186	Tiller housing quarter panels	1.5mm W'nut	2
187	Tiller housing front panel (with slot)	1.5mm W'nut	1
188	Mizzen shroud pinrail	1.5mm W'nut	2
189	Mast truck	1.5mm W'nut	2

1.5mm Walnut Sheet 1



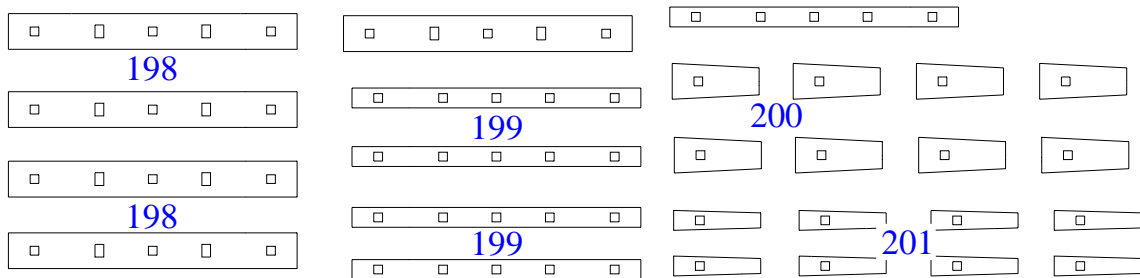
1.5mm Walnut Sheet 2



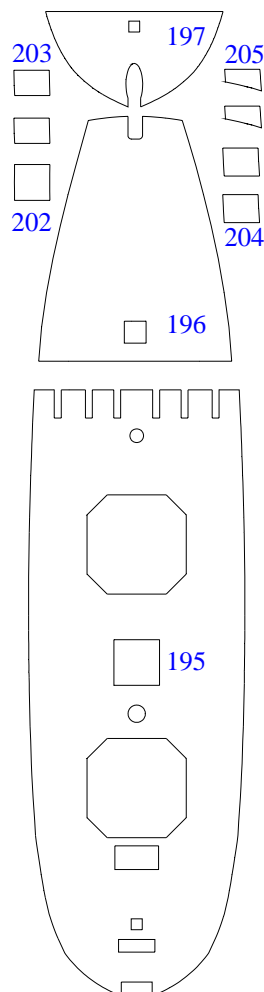
0.8mm Ply

Part No.	Description	Material	Quantity
195	Upper gun deck	0.8mm Ply	1
196	Quarterdeck	0.8mm Ply	1
197	Forecastle	0.8mm Ply	1
198	Windlass centre barrel wide skin	0.8mm Ply	4
199	Windlass centre barrel narrow skin	0.8mm Ply	4
200	Windlass warping head wide skin	0.8mm Ply	8
201	Windlass warping head narrow skin	0.8mm Ply	8
202	Quarterdeck bulkhead centre panel	0.8mm Ply	1
203	Quarterdeck bulkhead 2nd panel	0.8mm Ply	2
204	Quarterdeck bulkhead 3rd panel	0.8mm Ply	2
205	Quarterdeck bulkhead outer panel	0.8mm Ply	2

0.8mm Ply Sheet 1



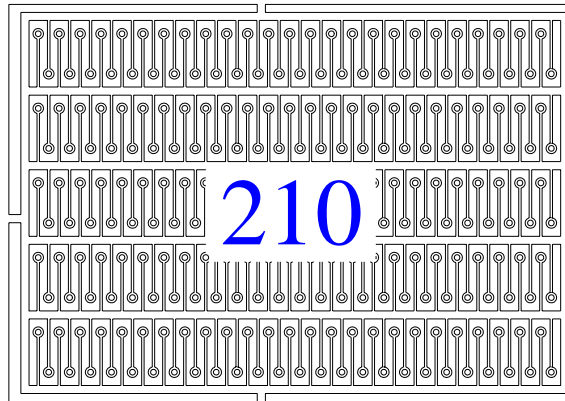
0.8mm Ply Sheet 2



0.3mm Brass

Part No.	Description	Material	Quantity
210	Brass eyelet	0.3mm Brass	250

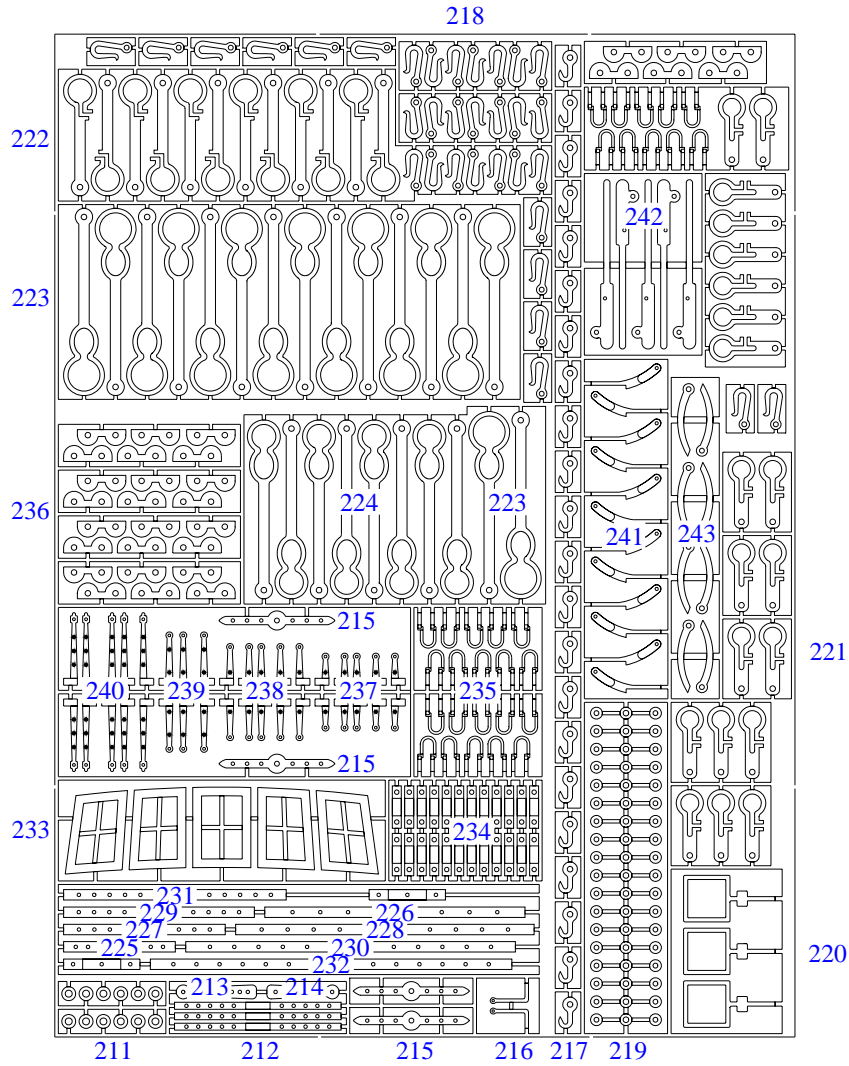
0.3mm Brass Sheet 1



0.5mm Brass

Part No.	Description	Material	Quantity
211	Scuppers	0.5mm Brass	10
212	Iron' windlass strap	0.5mm Brass	2
213	Main mast crowsfeet euphroe block	0.5mm Brass	1
214	Mizzen mast crowsfeet euphroe block	0.5mm Brass	1
215	Boom iron straps	0.5mm Brass	2
216	Belfry crank	0.5mm Brass	1
217	Small rigging hook	0.5mm Brass	22
218	Large rigging hook	0.5mm Brass	33
219	Swivel gun brackets	0.5mm Brass	12
220	Fish davit span shackles	0.5mm Brass	2
221	Futtock strops (2.5mm)	0.5mm Brass	14
222	Mizzen channel / main backstay stool chainplates (3mm)	0.5mm Brass	10
223	Main channel (Fore & Aft) chainplates (5mm)	0.5mm Brass	14
224	Main channel (Fore & Aft) chainplates (3mm)	0.5mm Brass	6
225	Rudder pintle strap 1st (Top)	0.5mm Brass	1
226	Hull gudgeon strap 1st (Top)	0.5mm Brass	1
227	Rudder pintle strap 2nd	0.5mm Brass	1
228	Hull gudgeon strap 2nd	0.5mm Brass	1
229	Rudder pintle strap 3rd	0.5mm Brass	1
230	Hull gudgeon strap 3rd	0.5mm Brass	1
231	Rudder pintle strap 4th (Bottom)	0.5mm Brass	1
232	Hull gudgeon strap 4th (Bottom)	0.5mm Brass	1
233	Stern light window frames	0.5mm Brass	5
234	4pdr cannon trunnion brackets	0.5mm Brass	20
235	Sweep port hinges	0.5mm Brass	18
236	Parrel ribs	0.5mm Brass	12
237	Cabin door hinges	0.5mm Brass	4
238	Chase port double door hinges	0.5mm Brass	8
239	Stern vent hinges	0.5mm Brass	4
240	Cabin light hinges	0.5mm Brass	8
241	Elm tree pump yoke halves	0.5mm Brass	8
242	Elm tree pump brake handle	0.5mm Brass	4
243	Pawl halves	0.5mm Brass	4

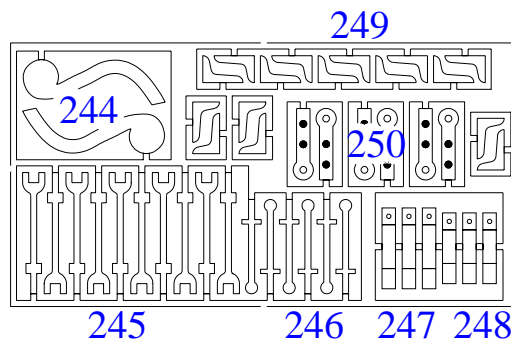
0.5mm Brass Sheet 1



0.9mm Brass

Part No.	Description	Material	Quantity
244	Hair bracket	0.9mm Brass	2
245	Top' hand rail stanchions	0.9mm Brass	7
246	Entry port stanchion	0.9mm Brass	2
247	13" mortar trunnion bracket	0.9mm Brass	2
248	10" mortar trunnion bracket	0.9mm Brass	2
249	Channel knees	0.9mm Brass	12
250	Eyeplates	0.9mm Brass	4

0.9mm Brass Sheet 1



White Metal Castings

Part No.	Description	Material	Quantity
255	Bower/sheet anchors	Casting	3
256	Bower/sheet anchor palms	Casting	6
257	Kedge anchor	Casting	1
258	Kedge anchor palms	Casting	2
259	Large (Thick) cleat	Casting	4
260	Large (Narrow) cleat	Casting	4
261	Small cleat	Casting	4
262	Yard rings (Large)	Casting	4
263	Yard rings (Small)	Casting	2
264	Ships bell	Casting	1
265	Galley flue	Casting	1
266	Cathead decoration	Casting	2
267	Figurehead	Casting	1
268	Figurehead sceptre	Casting	1
269	Transom decoration	Casting	1
270	Quarter finishing figure	Casting	2
271	Lower finishing figure	Casting	2
272	Quarter badge decoration	Casting	2

Copper, Brass & Plastic Fittings

Part No.	Description	Material	Quantity
275	Copper eyelets	Copper	200
276	Turned brass 0.5pdr swivel guns	Brass	12
277	Turned brass 4pdr cannon	Brass	10
278	Cast brass 13" mortar	Brass	1
279	Cast brass 13" mortar chock	Brass	1
280	Cast brass 10" mortar	Brass	1
281	Cast brass 10" mortar chock	Brass	1
282	Brass extrusion (Profile 1)	Brass	1m
283	Brass extrusion (Profile 2)	Brass	0.2m
284	Dome head nails	Brass	280
285	Flat head nails	Brass	450
286	0.5pdr swivel gun training handle ball	Etched Steel	12
287	Parrel beads	Plastic	83
288	Glazing acetate	Acetate	A5
289	Quarterdeck bulkhead decoration decal set	Decal	1

Wooden Fittings

Part No.	Description	Material	Quantity
300	Cartridge paper	Paper	A4
301	Grating kits (60 pcs)	Wood	1
302	Belaying pins	Wood	40
303	10mm pillar	Wood	4

Blocks

Part No.	Description	Material	Quantity
305	5mm deadeyes	Block	44
306	3mm deadeyes	Block	52
307	2.5mm deadeyes	Block	31
308	2.5mm single block	Block	66
309	3mm single block	Block	140
310	3mm double block	Block	10
311	5mm single block	Block	35
312	5mm double block	Block	8
313	7mm single block	Block	3
314	7mm double block	Block	3
315	7mm sister block	Block	5
316	7mm heart block	Block	5

Wire

Part No.	Description	Material	Quantity
320	0.75mm brass wire	Wire	3
321	1.0mm brass wire	Wire	2
322	1.5mm brass wire	Wire	2

Rigging Thread

Part No.	Description	Material	Quantity
325	0.1mm natural thread	Thread	25m
326	0.25mm natural thread	Thread	35m
327	0.25mm black thread	Thread	35m
328	0.5mm natural thread	Thread	20m
329	0.5mm black thread	Thread	25m
330	0.75mm natural thread	Thread	4m
331	0.75mm black thread	Thread	12m
332	1.0mm natural thread	Thread	20m
333	1.0mm black thread	Thread	24m
334	1.3mm black thread	Thread	0.75m
335	1.8mm natural cable	Thread	1m

Strip Wood

Part No.	Description	Material	Quantity
340	1.5x5mm Lime (600mm)	Strip Wood	44
341	0.5x4mm Maple (500mm)	Strip Wood	40
342	0.5x3mm Walnut (600mm)	Strip Wood	4
343	1.5x1.5mm Walnut (600mm)	Strip Wood	4
344	1x4mm Walnut (600mm)	Strip Wood	70
345	1x5mm Walnut (600mm)	Strip Wood	1
346	1x7mm Walnut (600mm)	Strip Wood	2
347	1x10mm Walnut (500mm)	Strip Wood	2
348	2x2mm Walnut (600mm)	Strip Wood	2
349	2x3mm Walnut (600mm)	Strip Wood	1
350	2x4mm Walnut (600mm)	Strip Wood	1
351	2x5mm Walnut (100mm)	Strip Wood	1
352	3x3mm Walnut (500mm)	Strip Wood	1
353	4x4mm Walnut (500mm)	Strip Wood	2
354	5x5mm Walnut (250mm)	Strip Wood	1
355	6x6mm Walnut (100mm)	Strip Wood	1
356	7x7mm Walnut (100mm)	Strip Wood	1

Birch Dowel

Part No.	Description	Material	Quantity
360	2mm Dowel (300mm)	Birch Dowel	1
361	3mm Dowel (600mm)	Birch Dowel	3
362	4mm Dowel (600mm)	Birch Dowel	1
363	6mm Dowel (600mm)	Birch Dowel	2
364	8mm Dowel (600mm)	Birch Dowel	1.5

Mortars & Chocks

