

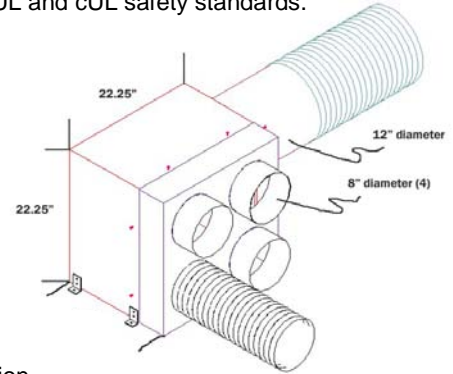
**Model: Superfan
Ducted Whole House Comfort Ventilator**

Description:

Whole house comfort ventilator shall be ducted for remote mounting and quiet operation and capable of venting directly to the outside. Its performance shall be Certified by the Home Ventilating Institute (HVI) and tested and evaluated by Underwriters Laboratories and conform to both UL and cUL safety standards.

Motor/Blower:

- o Aluminum backward curved centrifugal impeller
- o Maintenance free ball bearings
- o Insulation class "F"
- o Internal thermal cutoff for motor protection
- o Motor shall be UL and cUL listed
- o Power rating shall be 120 volts and 60 Hz
- o Rated for continuous operation (S1)



Housing Construction:

- o Powder coated steel housing
- o Vibration absorbing detachable feet
- o Housing dimensions allow installation between 16 OC construction
- o Rip-stop nylon backdraft damper
- o 12" diameter exhaust pipe
- o (4) 8" diameter room duct connectors

Specifications:

- o Certified airflow: 1850 cfm @ .1" wg
- o Installed sound level at grilles: 1.9 sones
- o 115 VAC, 60Hz, 737 watts
- o Fan housing dimensions: 14 1/4" x 22 1/4" x 22 1/4"
- o Duct connector dimensions: 7" x 22 1/4" x 22 1/4"
- o Exhaust pipe dimensions: 12" diameter x 16 1/2" long
- o Weight (assembled) 79 pounds
- o Shipping weight: 109 pounds (Dimensional shipping weight is higher)
- o Color: Red



Accessories:

- o (4) "Egg Crate" intake grilles
- o Lighted, Decora style, Aspire wall switch and cover plate
- o Mounting hardware

Warranty: The factory warranty shall be a minimum of 3 years limited warranty on parts.
Operational specifications (HVI Certified Data)

Static Pressure (inches w.g.)	.1	.2	.5
Air Volume (CFM)	1850	1810	1700
Power Consumption (watts)	737	739	740
Energy Efficiency (cfm/watt)	2.51	2.45	2.30
Speed (rpm)	1519	1520	1524
Current (amps)	6.17	6.17	6.18
Power Rating	120/60		

For complete installation instructions visit:

<http://www.wholehousefan.com/superfan/superfanproductmanual.pdf>

Model	Quantity	Comments

Project _____	Submitted _____
Customer _____	Approved _____
Location _____	