

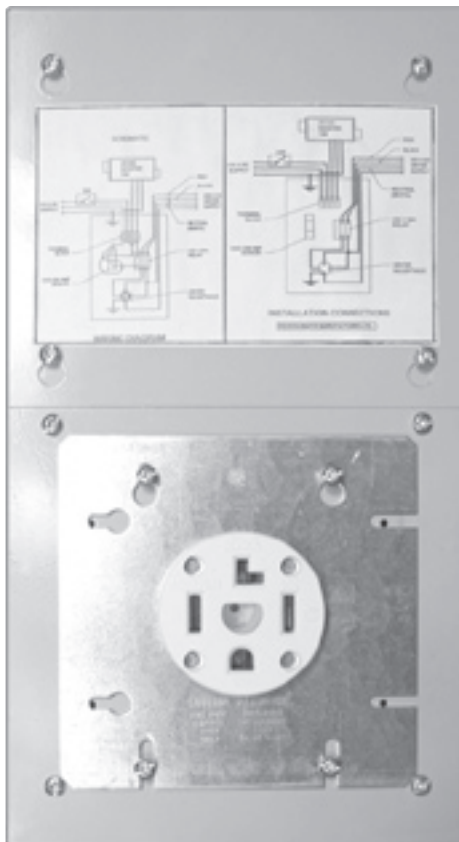


Dryer Interlock Control Box

Model IL115/IL230



No more worries about lint and humidity due to fan failure.



Dryer Starter Control IL115/IL230 is a pre-wired unit with dryer plug for easy and simple installation for the electrician. This control works in conjunction with the booster fan. When booster fan is in "ON" it will engage power to the starter control box and only then the dryer can be turned "ON".

NOTE:

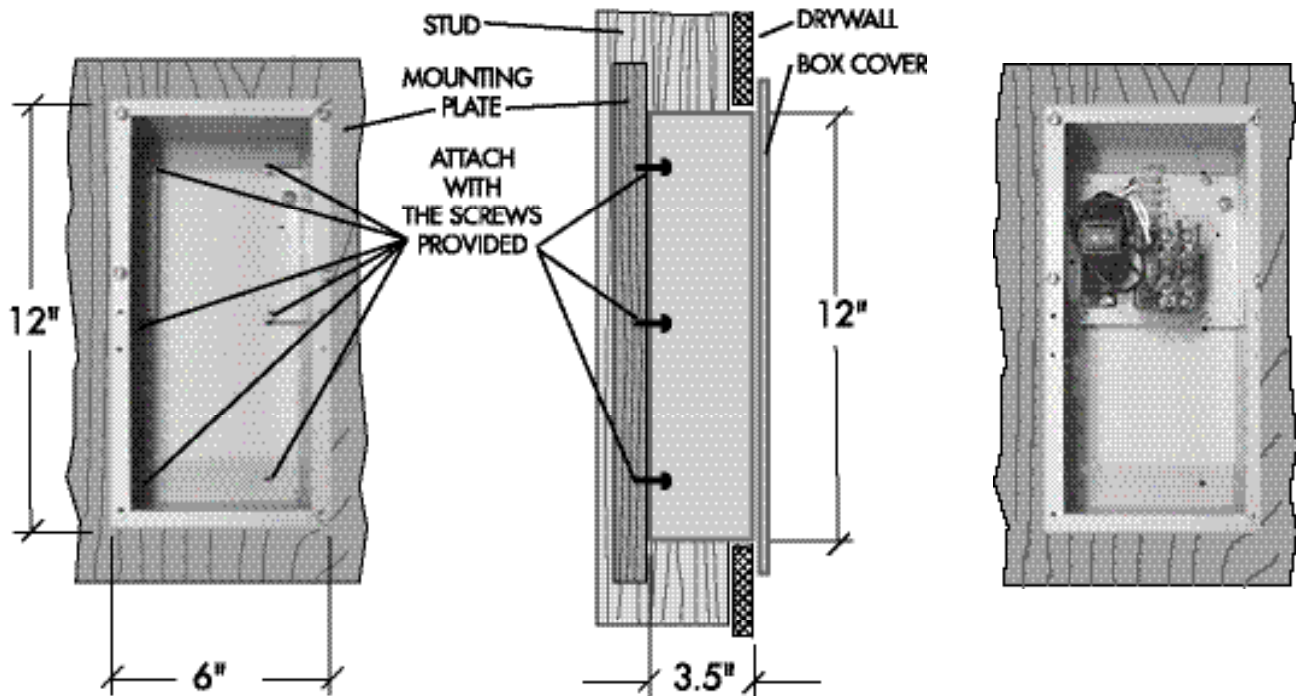
If booster fan for any reason does not work, the dryer can not be turned "ON".

Dryer Starter Control Box is available as a complete assembly or separately packed rough in box. Control assembly, dryer receptacle and cover plate separately packed.

Soler & Palau USA
6393 Powers Avenue
Jacksonville, FL 32217
p. 800.961.7370
f. 800.961.7379
www.solerpalau-usa.com

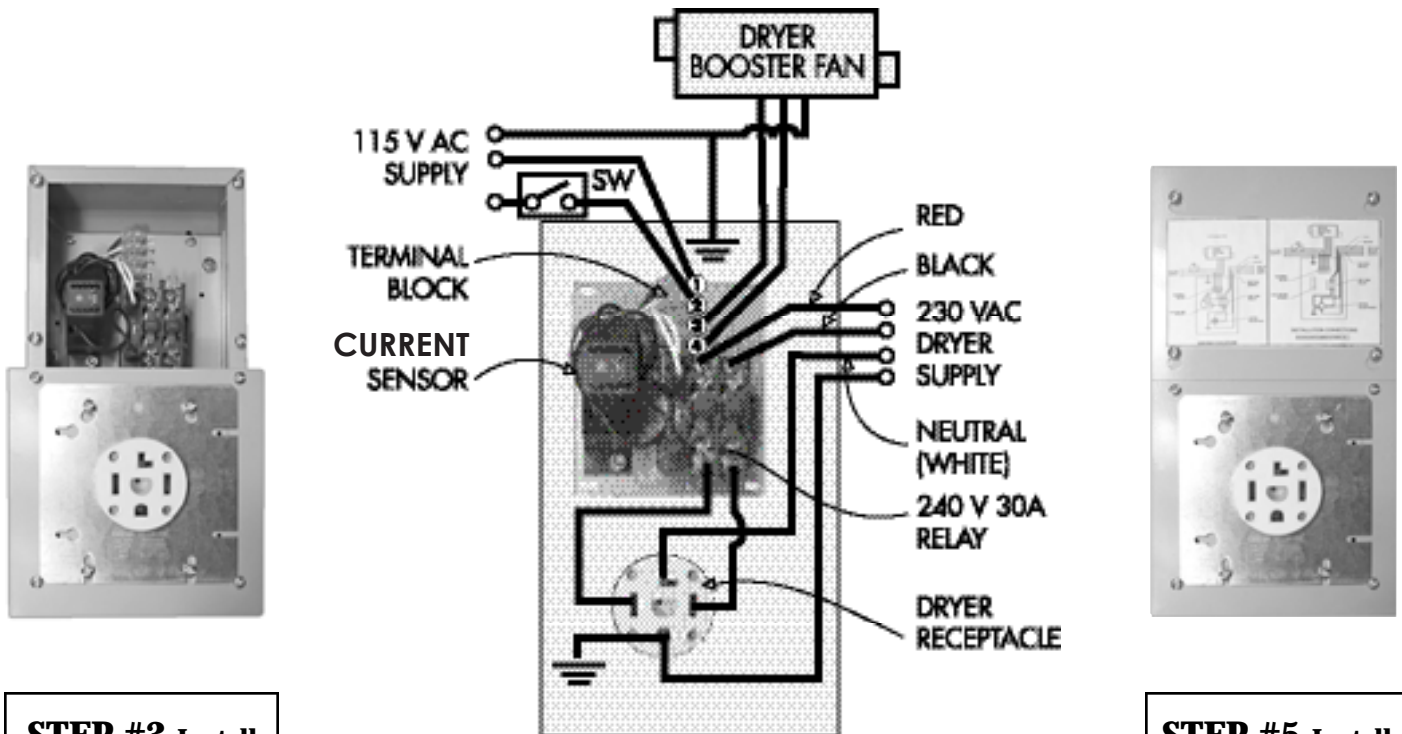


Installation Instructions



STEP #1 Install rough-in starter control box and provide power supply

STEP #2 Install control assembly



STEP #3 Install dryer receptacle

STEP #4 Connect power supply

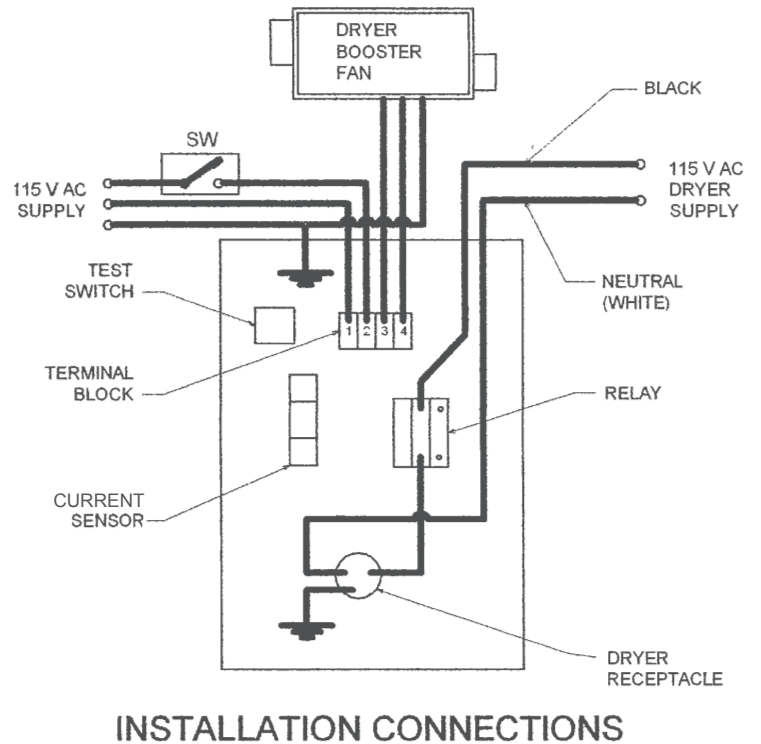
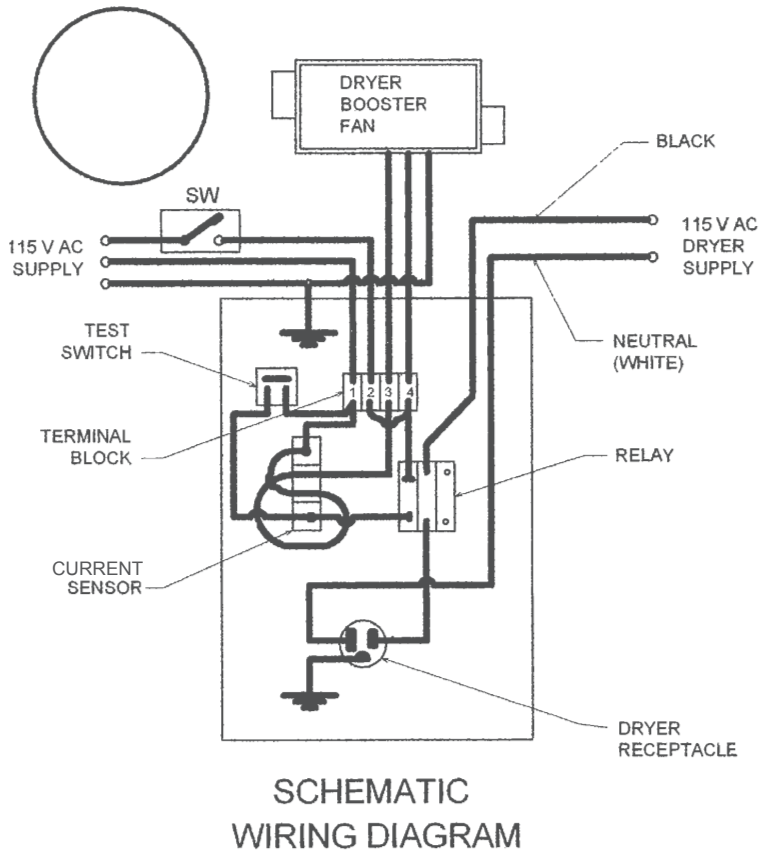
STEP #5 Install cover plate

Dryer Booster Fan Control

IL115 & IL230

PUSH TO TEST
DRYER

FAN: 115 V, 60Hz, 15A max.
DRYER: 115 V, 60Hz, 15A max.



6393 Powers Avenue
Jacksonville, FL 32217
p. 800.961.7370
f. 800.961.7379
www.solerpalau-usa.com