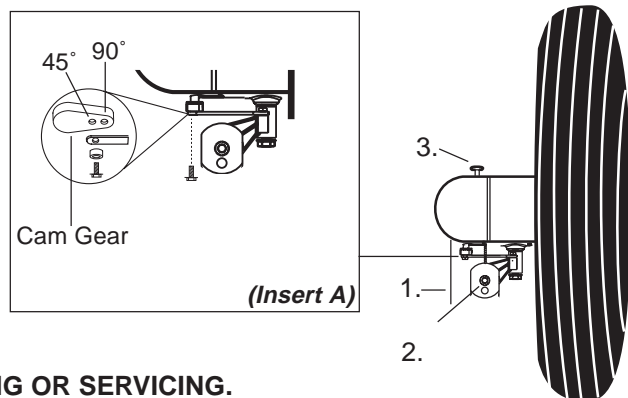


IMPORTANT INSTRUCTIONS - OPERATING MANUAL

FOR OSCILLATING MODELS:

OSCILLATION: Push down oscillation knob on motor housing to make fan head move from side to side.

NOTE FOR OSCILLATING MODELS: FAN IS SHIPPED WITH 90° OSCILLATION ANGLE, FOR 45° OSCILLATION ANGLE, CONNECT THE OSCILLATION LINK TO THE INNERMOST HOLE IN THE CAM GEAR. (Insert A)



MAINTENANCE

WARNING: ALWAYS UNPLUG THE CORD BEFORE MOVING OR SERVICING.

WARNING: DO NOT IMMERSE FAN IN WATER!

CLEANING: Use a soft cloth and mild soap solution such as liquid dish washing detergent. Dry all parts completely before reconnecting to power supply.

CAUTION: Do not use gasoline, benzene, thinner, harsh cleaners, etc. as they will damage the Fan. NEVER use ALCOHOL OR SOLVENTS.

SERVICING: All other servicing, with the exception of general user maintenance, should be performed by an authorized service representative. Call 1-800-233-0268, Monday through Friday, between the hours of 8:00 a.m. and 5:00 p.m. EST for the location of your nearest service center.

LUBRICATION: Precision bearings are sealed at the factory for life and do not require further lubrication.

STORAGE: Store the Fan, with these instructions, in a clean and dry place.

LIMITED WARRANTY

AIRKING THREE-YEAR LIMITED WARRANTY. Products are warranted by AirKing to the original user against defects in workmanship or materials under normal use for three years on the motor and one year on all other parts, after date of purchase. Any part which is determined by AirKing to be defective in material or workmanship and returned to an authorized service location, as AirKing designates, shipping costs prepaid, will be, as the exclusive remedy, repaired or replaced at AirKing's option. For limited warranty claim procedures, see PROMPT DISPOSITION below. This limited warranty gives purchasers specific legal rights which vary from state to state.

LIMITATION OF LIABILITY. To the extent allowable under applicable law, AirKing's liability for consequential and incidental damages is expressly disclaimed. AirKing's liability in all events is limited to, and shall not exceed, the purchase price.

WARRANTY DISCLAIMER. AirKing has made a diligent effort to illustrate and describe the products in this literature accurately; however, such illustrations and descriptions are for the sole purpose of identification, and do not express or imply a warranty the products are merchantable, or fit a particular purpose, or that the products will necessarily conform to the illustrations or descriptions.

Except as provided below, no warranty or affirmation of fact, expressed or implied, other than as stated in "LIMITED WARRANTY" above is made or authorized by AirKing.

PRODUCT SUITABILITY. Many states and locations have codes and regulations governing sales, construction, installation, and/or use of products for certain purposes, which may vary from those in neighboring areas. While AirKing attempts to assure that its products comply with such codes, it cannot guarantee compliance, and cannot be responsible for how the product is installed or used. Before purchase and use of a product, please review the product application, and national and local codes and regulations, and be sure that the product, installation, and use will comply with them.

Certain aspects of disclaimers are not applicable to consumer products; e.g., (a) some states do not allow the exclusion or limitation of incidental or consequential damages, so the above limitation or exclusion may not apply to you; (b) also, some states do not allow limitations on how long an implied warranty lasts, consequently the above limitation may not apply to you; and (c) by law, during the period of the Limited Warranty, and implied warranties of merchantability or fitness for a particular purpose applicable to consumer products purchased by consumers, may not be excluded or otherwise disclaimed.

PROMPT DISPOSITION. AirKing will make a good faith effort for prompt correction or other adjustment with respect to any product which proves to be defective within limited warranty. For any product believed to be defective within limited warranty, first write or call dealer from whom product was purchased. Dealer will give additional directions.

FOR PARTS:

Check package contents. If parts are missing, or replacement parts required, please call our **PARTS DEPARTMENT TOLL-FREE AT 1-800-233-0268. MONDAY THROUGH FRIDAY, BETWEEN THE HOURS OF 8 AM AND 4 PM EST.**

"PLEASE DO NOT RETURN PRODUCT TO PLACE OF PURCHASE."

Reference the type and style of product (located on the underside of the product) when you call.

FOR TECHNICAL ASSISTANCE and SERVICE CENTER LOCATIONS:

For any questions, comments or the location of your nearest service center,

PLEASE CALL OUR TOLL-FREE "HOTLINE" AT 1-800-233-0268.

MONDAY THROUGH FRIDAY, BETWEEN THE HOURS OF 8 AM AND 5 PM EST.

Please reference product name and model no. when you call.

Appliance Service Dept. • P.O. Box 569 Franklin, TN 37064

PLEASE DO NOT SEND PRODUCT TO THIS LOCATION!

IMPORTANT INSTRUCTIONS - OPERATING MANUAL

AirKing
Ventilation Products®

24" / 30" OSCILLATING I-BEAM MOUNT FAN

MODEL 9625, 9635, 9674, 9675

24" / 30" NON-OSCILLATING I-BEAM MOUNT FAN

MODEL 9424, 9430, 9671, 9670

GENERAL SAFETY INFORMATION

When using electrical appliances, basic precautions should always be followed to reduce the risk of fire, electric shock and injury to person, including the following:

1. Read all instructions before using Fan.
 2. Make certain that the power source conforms to the electrical requirements of the Fan.
 3. Use this Fan only as described in this manual. Any other use not recommended by the manufacturer may cause fire, electrical shock, or injury to persons.
 4. To reduce the risk of personal injury and electric shock, the Fan should not be played with or placed where small children can reach it.
 5. Unplug power cord before servicing, or moving the Fan.
 10. Where possible, avoid the use of extension cords. If they must be used, minimize the risk of overheating by ensuring that they are UL listed. Never use a single extension cord to operate more than one Fan.
 11. Do not operate any Fan with a damaged cord or plug or after the Fan malfunctions, has been dropped or damaged in any manner. Return Fan to authorized service facility for examination, electrical or mechanical adjustment or repair.
 12. Do not insert or allow fingers or foreign objects to enter any ventilation or exhaust opening as it may cause an electric shock or fire, or damage the Fan. Do not block or tamper with the Fan in any manner while it is in operation.
 13. Locate the Power Cord so the Fan or other objects are not resting on it. Do not run Power Cord under carpeting. Do not cover Power Cord with throw rugs, runners, or the like. Arrange Power Cord away from room traffic and where it will not be tripped over.
 14. This Fan is not intended for use in wet or damp locations. Never locate a Fan where it may fall into a bathtub or other water container.
 15. Do not use Fan outdoors.
- WARNING: DO NOT DEPEND UPON THE ON-OFF SWITCH AS THE SOLE MEANS OF DISCONNECTING POWER WHEN INSTALLING OR SERVICING THE FAN. ALWAYS UNPLUG THE POWER CORD.**
6. This Fan must NOT be used in potentially dangerous locations such as flammable, explosive, chemical-laden or wet atmospheres.
7. DO NOT use Fan in or near a window. Rain may create an electrical hazard.
8. Completely reassemble Fan, according to instructions, before reconnecting to power supply.
9. The power cord is equipped with a three-prong grounded plug that must be inserted into a matching receptacle. Under no circumstances must the grounding prong be cut off the plug. Where a two-prong wall receptacle is encountered, it must be replaced with a properly grounded three-prong receptacle installed in accordance with the National Electrical Code (NEC) and all applicable local codes and ordinances. This work must be done only by a qualified electrician, using copper wire only.
- WARNING: REDUCE THE RISK OF FIRE OR ELECTRIC SHOCK - DO NOT USE THIS FAN WITH ANY SOLID STATE SPEED CONTROL DEVICES.**
- CAUTION: BECAUSE OF THE SIZE AND WEIGHT OF THIS FAN, MAKE SURE ALL PARTS ARE COMPLETELY ASSEMBLED ACCORDING TO INSTRUCTIONS. FAILURE TO DO SO COULD RESULT IN FAN COMING APART DURING OPERATION AND/OR PERSONAL INJURY.**

WARNING: USE OF A THREE-PRONG TO TWO-PRONG ADAPTER IS NOT RECOMMENDED. IMPROPER CONNECTION MAY CREATE THE RISK OF ELECTROCUTION. USE OF SUCH ADAPTERS ARE NOT PERMITTED IN CANADA.

SAVE THESE INSTRUCTIONS

IMPORTANT INSTRUCTIONS - OPERATING MANUAL

I-BEAM MOUNT INSTALLATION (Figure 1 and 2)

1. Open one tube of Loctite #243 by snapping tube neck just below end cap. Be Certain to follow all warnings noted on Loctite #243 tube.
2. Apply (1) ENTIRE tube of Loctite #243 onto the first 2 threads on the end of the **L-Shaped Pipe**. (Figure 1 - Inset)
3. Screw **Motor Mounting Adapter** into **L-Shaped Pipe**. The **Motor Mounting Adapter** MUST BE screwed in at least 4 full revolutions. Do not allow Loctite #243 to dry before joining.
4. Rotate the **Motor Mounting Adapter** back to desired location and tighten with the provided 1/4" set screw.
5. Locate the **L-Shaped Pipe with attached Motor Mounting Adapter** to the desired location on the I-Beam flange. Install the **5/16 x 2" U-Bolts** over the **L-Shaped Pipe** and through the **Clamping Plate Holes**. The flat part of the **Clamping Plate** fits on the I-Beam flange and the end with the slight bend goes against the pipe. Install flat washer, lock washer and nuts. Finger tighten the nuts on the U-Bolt. (Figure 1)
6. Slide the **Clamping Plate** onto I-Beam flange until **U-Bolts** contact flange.
7. Adjust **L-Shaped Pipe** so forward **Clamping Plate** is as close to the label at the bend as possible
8. Tighten nuts on bolt so **L-Shaped Pipe** does not move.

CAUTION: FAN IS HEAVY AND MAY REQUIRE TWO PEOPLE TO MOUNT.

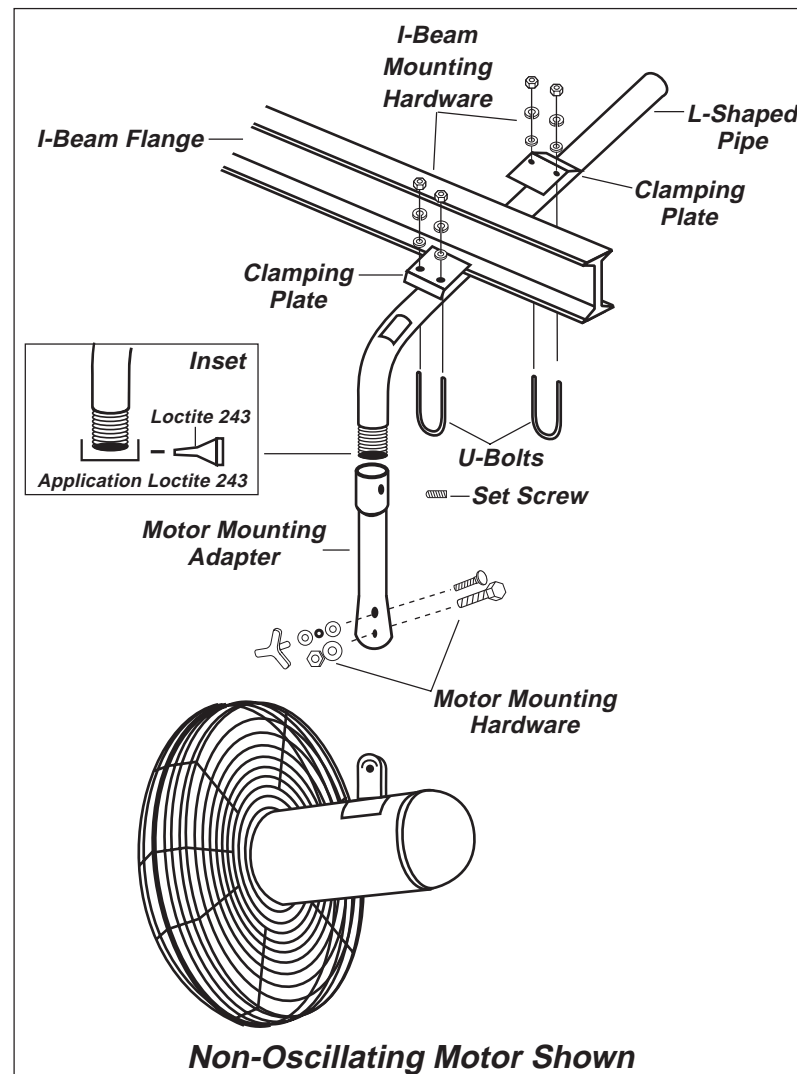
9. Attach pull string to motor speed switch, if desired.

For Oscillating Motor: Place the flat section on the Motor Mounting Adapter next to the Motor Neck. (Figure 2A)

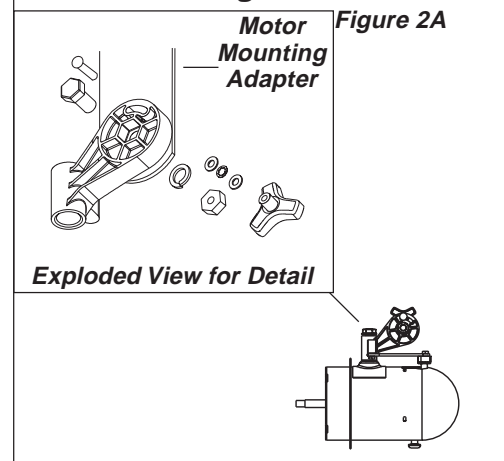
For Non-Oscillating Motor: Slide the Motor Neck Slot over the Motor Mounting Adapter. Align the 1/2" diameter hole in the Adapter with the 1/2" diameter holes in the Motor neck Slot. (Figure 2B)

10. Insert the 1/2" X 1" Hex Bolt (3/4" head) through the Motor Neck, and the Motor Mounting Adapter. Place 1/2" diameter Split Lockwasher then the 1/2" diameter Hex Nut (3/4" head) and tighten fully with 2 adjustable wrenches.
11. From the same side of the Motor Neck, insert one 1/4-20 X 1 5/8" Carriage Bolt through the Arc-Shaped Slot in the Motor Neck and Hole in the Motor Mounting Adapter.

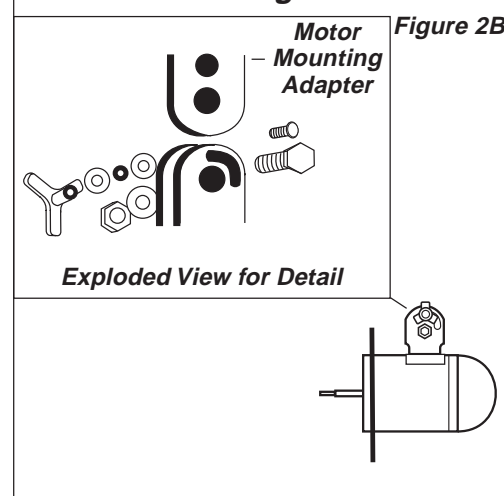
To Fasten: Place one 1/4" Flatwasher, one 1/4" Internal Tooth Lockwasher, a second 1/4" Flatwasher and then tighten the Adjustable Knob over the remaining threads.



Oscillating Motor View



Non-Oscillating Motor View



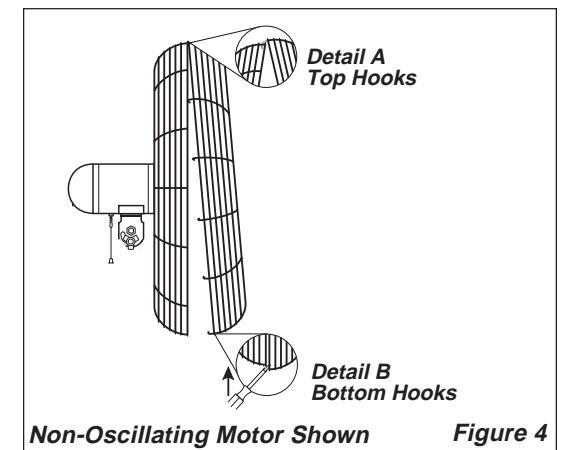
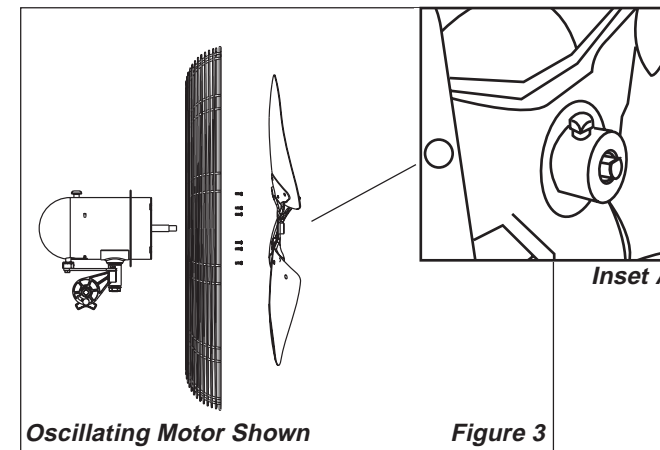
IMPORTANT INSTRUCTIONS - OPERATING MANUAL

GRILL AND BLADE ASSEMBLY (Figures 3 and 4)

NOTE: The assembly of the blade and grill is identical, regardless if the Fan has an oscillating motor or a non-oscillating motor. One of each is shown in the illustrations below.

1. Install the **Rear Grill** onto the **Motor**, lining up the six holes in the grill with the six threaded holes in the **Motor**. Install (6) 10-32 X 5/16" Hex Screws through the **Rear Grill** into the **Motor**. Securely tighten all (6) screws. (Figure 3)
2. Push the **Fan Blade** onto the **Motor Shaft**, centering the Hub facing away from the motor, until it stops against the shaft (**Inset A**). Align Square Head Bolt with flat of the **Motor Shaft**. **TIGHTEN VERY SECURELY WITH AN ADJUSTABLE WRENCH.** Failure to securely tighten the Bolt could result in damage to the Fan and/or personal injury.
3. Hold the **Front Grill** so that the name, in the center, is right side up and straight across. Starting at the top: Fasten **Front Grill to Rear Grill** by sliding the hooked wires on the **Front Grill** over the outermost ring on the **Rear Grill**. (Figure 4/Detail A). The bottom most hooks will require the use of a flathead screwdriver to complete assembly. Stand behind the Fan. Slip the flat of the screwdriver between the Front and Rear Grills, next to one of the unfastened hooks. (Figure 4/Detail B) Pull screwdriver handle upwards towards the Rear Grill. Slip the Front Grill hook over the Rear Grill outer ring with a push. Repeat procedure with remaining hooks.

CAUTION: DO NOT BEND WIRES ON THE FRONT OR THE REAR GRILLS.

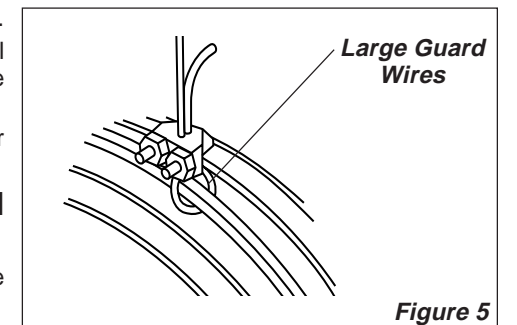


CAUTION: THE SECONDARY SUPPORT CABLE PROVIDED SHOULD BE USED ANYTIME THE CIRCULATOR IS MOUNTED OVERHEAD FOR ADDITIONAL SAFETY.

SECONDARY SUPPORT CABLE (Figure 5)

1. Loop one end of Cable around the **Large Guard Wires** of both the Front and Rear Grills.
2. Attach a Cable Clamp with the "U" on the tail side of the loop leaving a tail approximately 1 to 2 inches. Tighten Clamp Nuts. Make sure no part of the Cable interferes with the Blade.
3. Wrap the other end of the Cable around a secure building joist, truss, or other support near the Fan. Take up all excess slack in the Cable.
4. Attach the remaining Cable Clamp as indicated in Step 2. The excess tail should be trimmed to extend 1 to 2 inches past the Clamp.
5. Check the Assembly to assure the Blade is free of all obstructions.

CAUTION: Use of the secondary support cable does not guarantee protection against injury of persons, mounting of both the circulator and cable could fail if subjected to abuse, neglect or improper installation.



OPERATING INSTRUCTIONS

1. **TO OPERATE:** Plug cord into a grounded 120V, 60 Hz outlet. Select desired operating speed with pull cord on the rear of the motor:
 First pull: High Second pull: Medium
 Third pull: Low Fourth pull: OFF

NOTE: THIS FAN IS VERY HEAVY.

Failure to securely hold onto head assembly while adjusting head angle could result in personal injury.

2. **TO ADJUST HEAD ANGLE:** While holding head firmly, loosen knob under motor (turn counterclockwise). Tilt head to desired position. **FIRMLY** retighten knob under motor.

NOTE: Motor Head Adjustment Knob and the On/Off Pull Cord have the same location on oscillating or non-oscillating models.