

# INSTALLATION INSTRUCTIONS

## Gable Mount Power Attic Ventilator

THIS PRODUCT IS FOR RESIDENTIAL USE ONLY  
MODEL GV405-1

Specifications: Permanently lubricated, thermally protected, motor operates on 115 volts AC, 60 cycle. Large 14" fan blade, 15-inch diameter shroud.

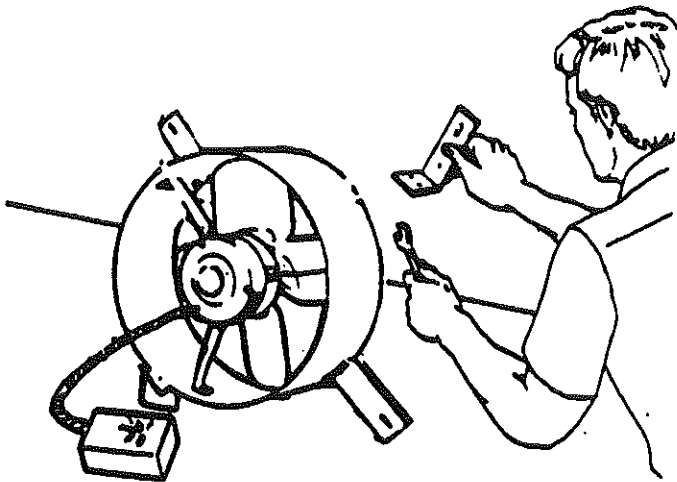
**WARNING:** To reduce the risk of fire or electric shock, do not use this fan with any solid state speed control device.

**IMPORTANT:** At least 4 square feet of air inlet opening is necessary for proper exhaust operation. Best results will be obtained if these openings are located around the eaves. Soffit grills or continuous soffit vent is suggested. Due to our continued program of product improvements, specifications are subject to change without notice.

This fan intended for installation facing an unoccupied space only.

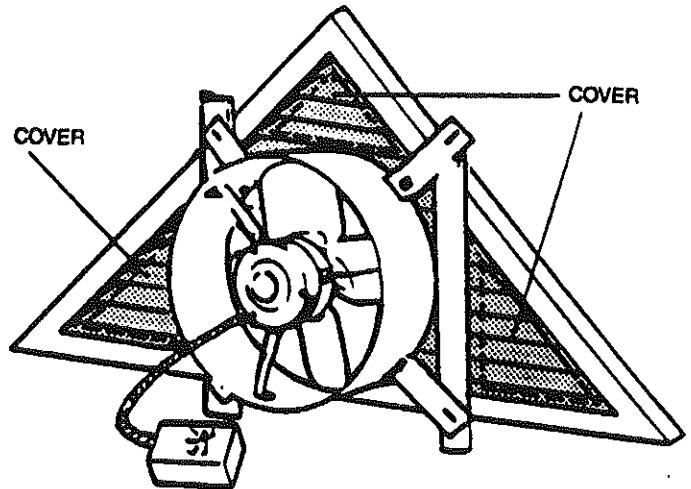
### READ INSTRUCTIONS CAREFULLY BEFORE PROCEEDING

- 1. ASSEMBLY** ... with hardware provided, attach brackets.

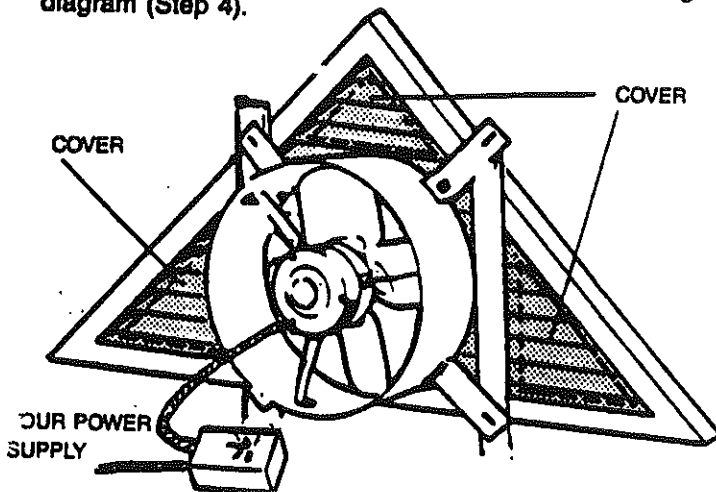


**NOTE:** Bolt heads on inside next to fan blade — nut & washer next to tab, outside.

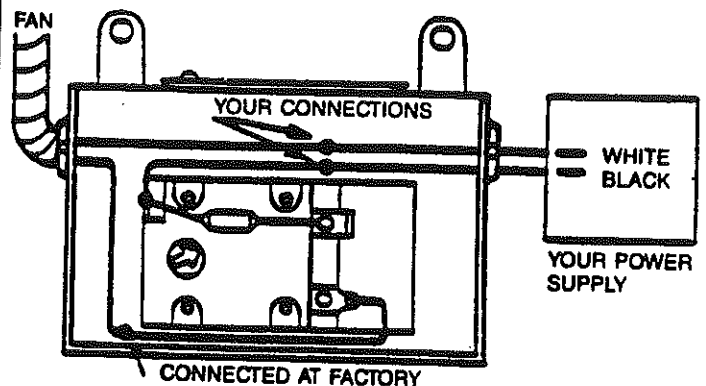
- 2. MOUNTING** ... secure unit to louver (inside the attic). You may need to put up 2x4 studs for proper spacing. Cover the remaining area of the louver.



- 3. MOUNTING THE THERMOSTAT** ... separate the thermostat cover from the mounting plate. Secure the plate to a rafter. Connect thermostat as per wiring diagram (Step 4).

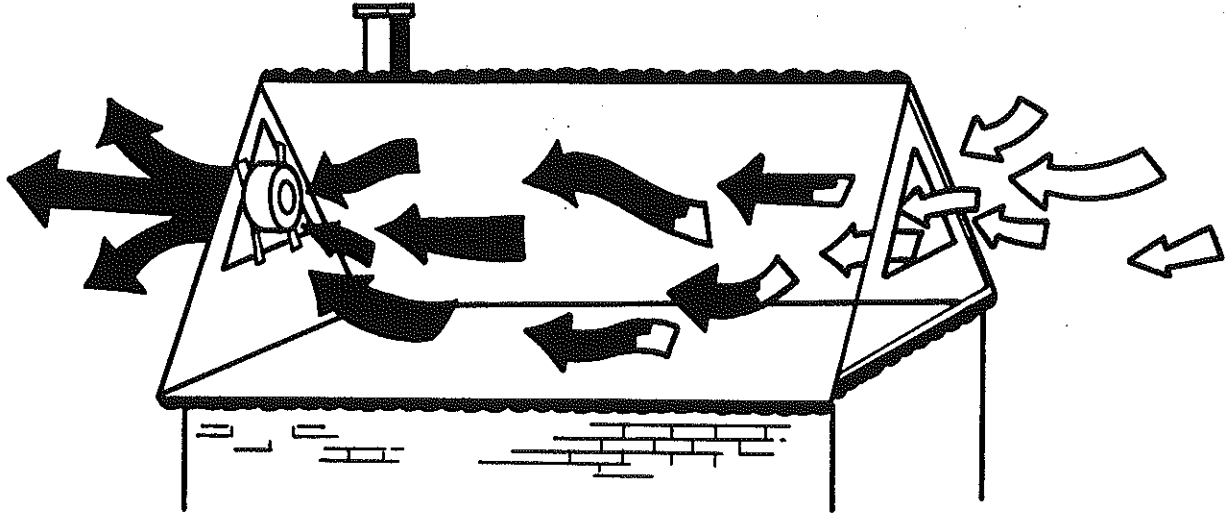


- 4. WIRING THE THERMOSTAT** ... all local codes, if applicable, should be followed.



**CAUTION:** BE SURE TO SHUT OFF ELECTRICITY BEFORE WIRING THERMOSTAT!

**5.** THERMOSTAT OPERATION ... the thermostat operates automatically. When the unit is operational, the fan will start automatically when the attic temperature reaches 105° degrees and cut off when the attic is cooled down to 95° degrees.



To extend the life of your motor, oil every 6 months with 5-6 drops of SAE20 wt. oil. Ports are provided at front and rear of motor casing.

**CAUTION:** Automatically operated device. Disconnect from power supply before servicing.

**DO NOT MOUNT THIS OUTSIDE WHERE EXPOSURE TO RAIN CAN OCCUR. MOUNT UNDER ROOF BEHIND GABLE TO PROTECT FROM RAIN.**

# VENTILATION

*by tpi corporation*

P.O. Box 4973, CRS Johnson City, TN 37602-4973

**IMPORTANT Do Not Destroy — Save For Homeowner**