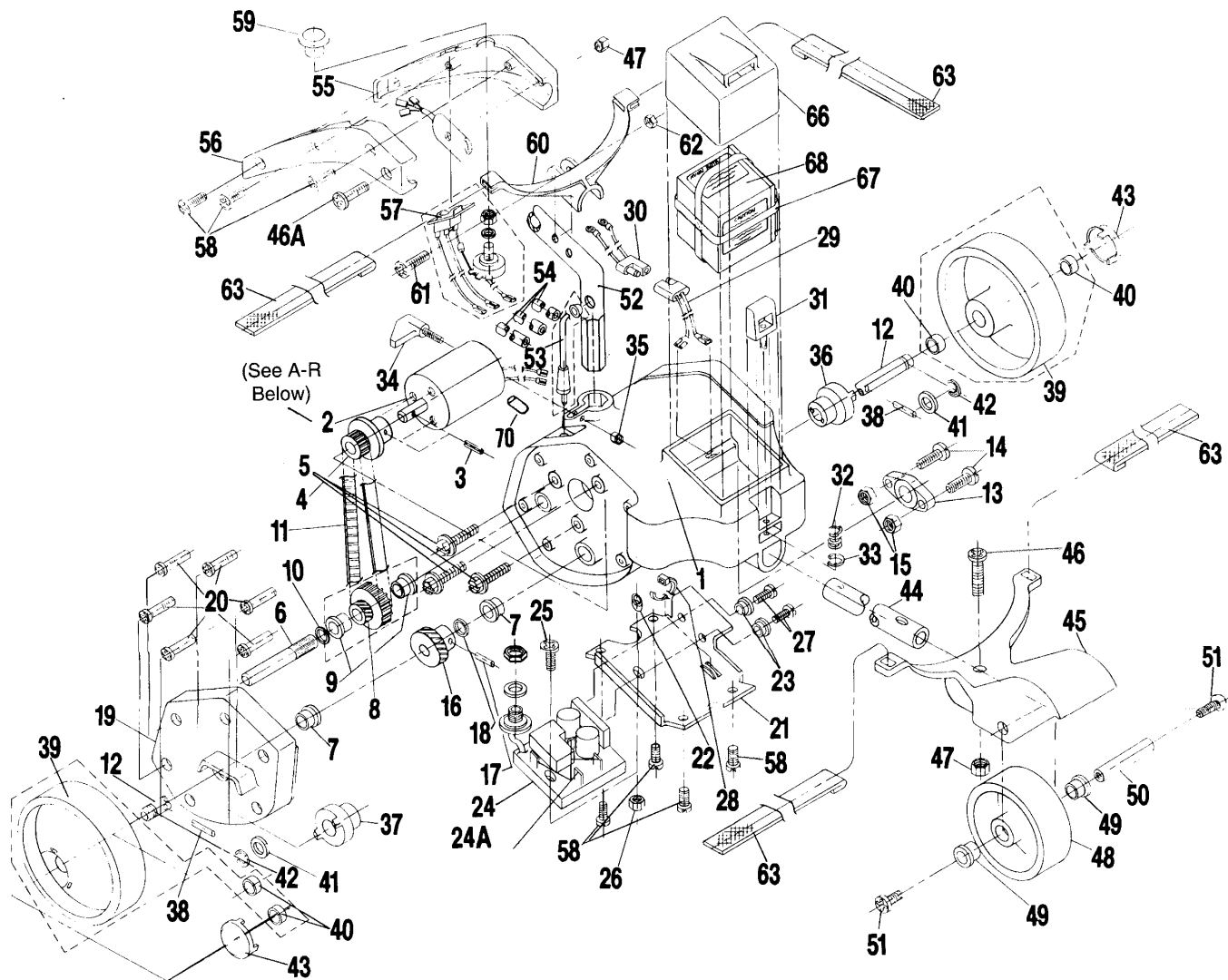


PARTS DIAGRAM



ELECTRIC GOLF CADDY

REPLACEMENT PARTS

In the U.S.A., replacement parts may be ordered from Parts Department, Paradigm Sports, Inc., 104 Oak Avenue SW, Montgomery, MN 56069 or in CANADA, see our Authorized Service Center List. Be sure to specify the model number and serial number of your Electric Golf Caddy and the part number(s) as shown on the following list. Minimum charge is \$3.00. Payment may be by cash, check, MasterCard or VISA card. Shipping and handling additional.

| Item No. | Part No. | Description | Item No. | Part No. | Description |
|----------|----------|----------------------------------|----------|----------|--|
| 1 | K0212 | Chassis | 37 | K7230 | Clutch Assembly-Right Hand |
| 2 | K7000 | Gear Drive Motor (See A-R) | 38 | K7290 | Drive Pin (2 req'd.) |
| 3 | K2600 | Roll Pin | 39 | K8600 | Rear Wheel (2 req'd.) |
| 4 | K2300 | Pulley | 40 | K0010 | Bearing (4 req'd.) |
| 5 | K2111 | Screw-No. 10-32 x 3/4 (3 req'd.) | 41 | K1700 | Washer (2 req'd.) |
| 6 | K0520 | Shaft | 42 | K3010 | Retaining Ring (2 req'd.) |
| 7 | K0000 | Rear Axle Bearings (2 req'd.) | 43 | K0220 | Hub Cap-Rear Wheel (2 req'd.) |
| 8 | K2230 | Pulley Gear | 44 | K2010 | Front Wheel Tube |
| 9 | K0040 | Bearing (2 req'd.) | 45 | K6500 | Front Wheel Housing |
| 10 | K1730 | Thrust Washer | 46 | K2197 | Screw-#10-24 x 1-3/4 |
| 11 | K0800 | Drive Belt | 46A | K2196 | Screw-#10-24 x 1-1/2 |
| 12 | K0510 | Rear Axle | 47 | K2195 | Hex. Nut (2 req'd.) |
| 13 | K0030 | Mounting Bearing | 48 | K8630 | Front Wheel |
| 14 | K2106 | Screw 1/4-20 x 1/2 (2 req'd.) | 49 | K0020 | Nyliner Bearing-Front Wheel (2 req'd.) |
| 15 | K3120 | Hex. Nut (2 req'd.) | 50 | K0500 | Front Axle |
| 16 | K2222 | Output Gear | 51 | K2101 | Screw-1/4-20 x 1/2 (2 req'd.) |
| 17 | K0540 | Pin-Drive Shaft | 52 | K2000 | Handle Tube |
| 18 | K1710 | Thrust Washer | 53 | K0700 | Cord Handle |
| 19 | K0230 | Cover-Gearcase | 55 | K0900 | Left Handle |
| 20 | K3430 | Screw-No. 8-16 x 3/4 (6 req'd.) | 56 | K0901 | Right Handle |
| 21 | K1900 | Plate-Control Board Mounting | 57 | K4011 | Switch Harness Assembly |
| 22 | K1500 | Spacer | 58 | K2194 | Screw-No. 8-18 x 5/8 (7 req'd.) |
| 23 | K1720 | Shoulder Washer (2 req'd.) | 59 | K0100 | Speed Selector Knob |
| 24 | K4001 | Control Board Assembly | 60 | K3900 | Upper Bag Rest |
| 24A | K4999 | Shrink Tube (4 req'd.) | 61 | K2130 | Screw-1/4-20 x 1-3/4 |
| 25 | K2198 | Screw-No. 8-32 x 1/2 | 62 | K3100 | Hex. Nut-Bag Rest |
| 26 | K3130 | Hex. Nut | 63 | K3801 | Velcro Strap Set (2 req'd.) |
| 27 | K2199 | Screw-No. 8-32 x 3/8 (2 req'd.) | 66 | K0240 | Battery Cover |
| 28 | K6300 | Tie Wrap | 67 | K3810 | Handle Strap-Battery (Obsolete) |
| 29 | K0601 | Leadwire-Control Board | 68 | K8702 | Battery |
| 30 | K0604 | Leadwire-Battery | 70 | K8716 | Battery Charger (Schumacher 220 VAC 50 Hz) Continental Europe |
| 31 | K0110 | Release Knob | 71 | K8719 | Battery Charger (240 VAC 50 Hz) UK |
| 32 | K2720 | Release Knob Spring | 72 | K8721 | Soneil Charger - Wide Input VAC |
| 33 | K3199 | E-Ring | 73 | K8725 | Charger Guest USA I15 VAC 60 Hz |
| 34 | K0120 | Tension Knob | | | |
| 35 | K3110 | Hex. Nut | | | |
| 36 | K7220 | Clutch Assembly-Left Hand | | | |