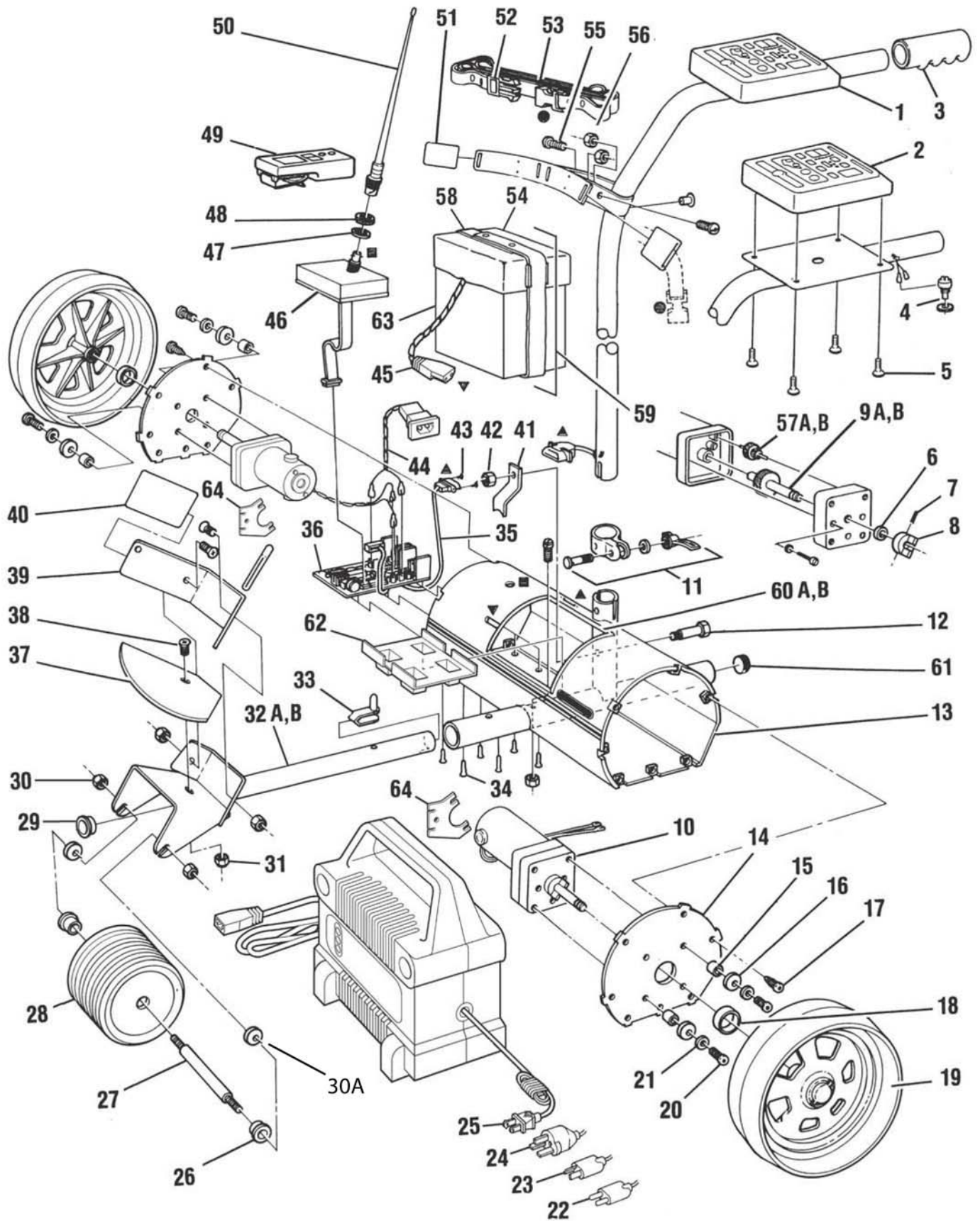


Traditional and Remote Models from 1993



PARTS LIST

	1993 TO 2000	2001 TO 2007	2007 + MX9		
REFERENCE NO.	PART NO.	PART NO.		DESCRIPTION	QUANTITY REQUIRED
1	9165	9165	9165	HANDLE WIRED ASSEMBLY	1
2	9168	9469	9469	KEYPAD ASSEMBLY C/W CIRCUIT BOARD	1
3	3014	3014	3014	HANDLE GRIP	1
4	7008	7008	7008	MANUAL PUSH BUTTON	1
5	0023	0085	0085	DATA PANEL SCREW	4
6	3009	3009	3009	NYLON SPACER (MOTOR)	2
7	0017	0084	0084	SPIRAL PIN (MOTOR)	2
8	1008	1069	1069	ALUMINUM DRIVE HUB	2
9A	7037	N/A	N/A	MOTOR SHAFT ASSEMBLY	1
9B	N/A	7044	7044	MOTOR SHAFT ASSEMBLY	1
10	8011	8011	8011	MOTOR ASSEMBLY (INCLUDES #6 THRU #9 & #64)	2
11	1009	1009	1009	HANDLE CLAMP	1
12	1002	1002	1002	SHOULDER BOLT	1
13	9135	9135	9435	BODY SHELL (PAINTED COMPLETE WITH LOGO & STRIPE	1
14	9047	9047	9047	END PLATE ASSEMBLY (INCLUDES #15, #16)	2
15	0018	0018	0018	ALUMINUM TUBE SPACER	8
16	3021	3021	3021	MOTOR GROMMET	8
17	0006	0006	0006	SELF TAPPING SCREW	14
18	1011	1011	1071	HUB RING	2
19	9067	9067	9067	DRIVE WHEEL (INCLUDES 18)	2
20	0020	0020	0020	MOTOR SCREW	8
21	0029	0029	0029	FLAT WASHER	8
22	8119	8119	8119	EUROPEAN BATTERY CHARGER (220 VAC)	1
23	-	8121		AUSTRALIAN BATTERY CHARGER (220 VAC)	1
24	-	8122		U.K BATTERY CHARGER (220 VAC)	1
25	9269	9391	9391	NORTH AMERICAN BATTERY CHARGER (120 VOLT)	1
26	3013	3013	3013	BRONZE BUSHING	2
27	1006	1006	1006	FRONT WHEEL AXLE	1
28	8001	8001	8053	FRONT WHEEL	1
29	3028	3028	3028	FRONT END CAP	1
30	0002	0002	0002	NYLON INSERT NUT	2
30A	0016	0016	0016	WASHER	2
31	0002	0002	0002	NYLON INSERT NUT	3
32A	9029	9029	9029	COMPL. FRONT WHEEL ASSY(INCL. #26 THRU #33 & #37 THRU #40)	1
32B	9023	9023	9023	FRONT WHEEL BRACKET	1
33	1007	1007	1007	SPRING LATCH	1
34	3026	3026	3026	PCB STANDOFF	6
35	2071	2071	2071	15 PIN BODY HARNESS	1
36	9447	9449	9449	MOTHERBOARD ASSEMBLY	1
37	9025	9025		WEIGHT PLATE	1
38	0012	0012	0012	FLAT HEAD SCREW	3
39	1015	1015	1015	LOWER BAG BRACKET	1
40	3016	3016	3016	PLASTIC TUBE SLEEVE	2
41	1004	1004	1004	BATTERY BRACKET	1
42	0005	0005	0005	LOCKNUT	1
43	0003	0003	0003	RIVET	2
44	2026	2093	2093	POLARIZED POWER CABLE	1
45	2005	2049	2049	POLARIZED BATTERY CABLE	1
46	9201	92011	92012	RECEIVER ASSEMBLY	1
47	0036	0036	0036	INTERNAL LOCK WASHER	1
48	0035	0035	0035	ANTENNA NUT	1
49	9202	92021	92021	TRANSMITTER ASSEMBLY	1
50	9405	9405	9405	ANTENNA	1
51	3008	3008	3008	BAG BRACKET SLEEVE	2
52	3004	3004	3004	ACETAL BUCKLE	1
53	3005	3005	3005	COMPLETE STRAP ASSEMBLY WITH BUCKLE	1
54	3011	3011	3145	BATTERY COVER	1
55	0001	0001	0001	SUPPORT BRACKET SCREW	2
56	0002	0002	0002	NYLON INSERT NUT	2
57A	1032	N/A	N/A	BRONZE GEAR .24"	1
57B	N/A	1037	1037	BRONZE GEAR .40"	1
58	3030	3030	2999	BATTERY STRAP	1
59	8010	8033	8035	COMPLETE BATTERY ASSEMBLY (INCLUDES 45, 54, & 58)	1
60A	3018	3018	3318	BATTERY TRIM LONG	2
60B	3019	3019	3019	BATTERY TRIM SHORT	2
61	3015	3015	3015	ANTI - TIP PLUG	1
62	3146	3146	3146	BATTERY SUPPORT	1
63	8008	8008	8038	BATTERY	1
64	8015	8015	8015	MOTOR FILTERS	2